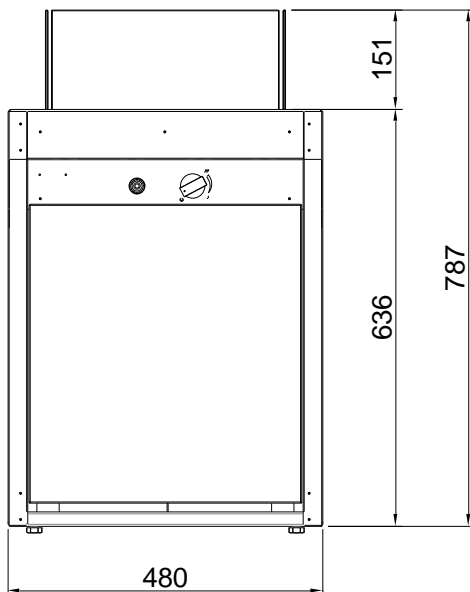


planika

KL21 Square

G30/G31 (Propane-Butane/Propane)



Produced by:
Planika Sp. z o.o.
Bydgoskich Przemysłowców 10
85-862 Bydgoszcz, Poland
Telephone: + 48 52 364 11 60

EN	INSTALLATION AND USERS MANUAL	2
DE	MONTAGE UND BEDIENUNGSANLEITUNG	16
ES	MANUAL DE INSTALACIÓN y USO	31
FR	INSTALLATION et MANUEL D'UTILISATION.....	45
IT	MANUALE D'INSTALLAZIONE E D'USO.....	59
PL	INSTRUKCJA INSTALACJI I OBSŁUGI.....	73

IT IS OBLIGATORY TO READ AND KEEP THIS INSTRUCTION MANUAL.

TABLE OF CONTENTS

1. INTRODUCTION	3
2. SAFETY INSTRUCTIONS.....	3
2.1 Safety instruction regarding the use of the gas cylinders.....	4
3. INSTALLATION	5
3.1. Box contents	5
3.2. Unboxing and installation	5
3.3. Installation of glass screens and adjustable legs	6
3.4. Gas cylinder montage (only LPG version)	6
3.5. Installation of the gas linkage	7
3.5.1. Connection and replacement of the gas cylinder (LPG version).....	7
3.5.3. Regulator replacement	10
4. OPERATING INSTRUCTIONS	11
4.1. General Notes	11
4.2 Start-up of the device	11
4.3 Regulation of the flame size.....	12
4.4 Device shutdown.....	12
5. TESTING.....	13
5.1 Checking for gas leaks	13
5.2 Checking the flame appearance.....	13
6. MAINTENANCE AND UPKEEP	14
6.1. Testing and cleaning	14
6.2. Glass cleaning.....	14
7. TROUBLESHOOTING.....	14
8. MANUFACTURER'S CONTACT DETAILS	15
9. TECHNICAL SPECIFICATION	15

1. INTRODUCTION

The Square fireplace is a decorative fuel-effect gas appliances destined only for outdoor use. It is obligatory to acquaint oneself with the below installation manual and user's manual before committing to the installation and use of The Square fireplace. This manual is to be kept safe for the lifetime of the device.

WARNING! The device must be installed by the installer who is certified and qualified specialist in gas heating and should have all the qualifications required by local law. Failing to comply with the above condition may result in voiding the warranty.

2. SAFETY INSTRUCTIONS

- Read the instructions before using the appliance.
- Use outdoors only.
- The Square fireplace should be installed and controlled annually according to the below installation manual as well as enforced national and local laws regarding gas safety (installation and use).
- One needs to assess whether the data on the product plaque complies with the local type of gas and pressure.
- Do not change the structure of the device or its sealed elements nor modify the default settings of The Square fireplace.
- Do not set any additional imitation blocks nor any glowing coal fragments on the burner or in the combustion chamber.
- A CO2 or a powder fire extinguisher needs to be placed near the device.
- During the first ignition The Square fireplace needs to be burnt on maximum level for a few hours in order for the elements to acquire correct temperature and for the remains of paint, lacquer and lubricant to evaporate.
- Do not move the device while it's working.
- Square has been designed for decorative purposes. The surface of The Square fireplace including the glass screens may get hot (up to 100 degrees Celsius) with the exception of the side walls of the appliance and the control panel. **WARNING!!!** Parts of the device that are easy to reach may be very hot. Keep children away from the device.
- Glass panels must be installed when Square is in use.
- This appliance must be kept away from flammable materials during use. Do not place any combustible materials within a distance of 1 m of Square and 2 m over the appliance (Fig. 1).

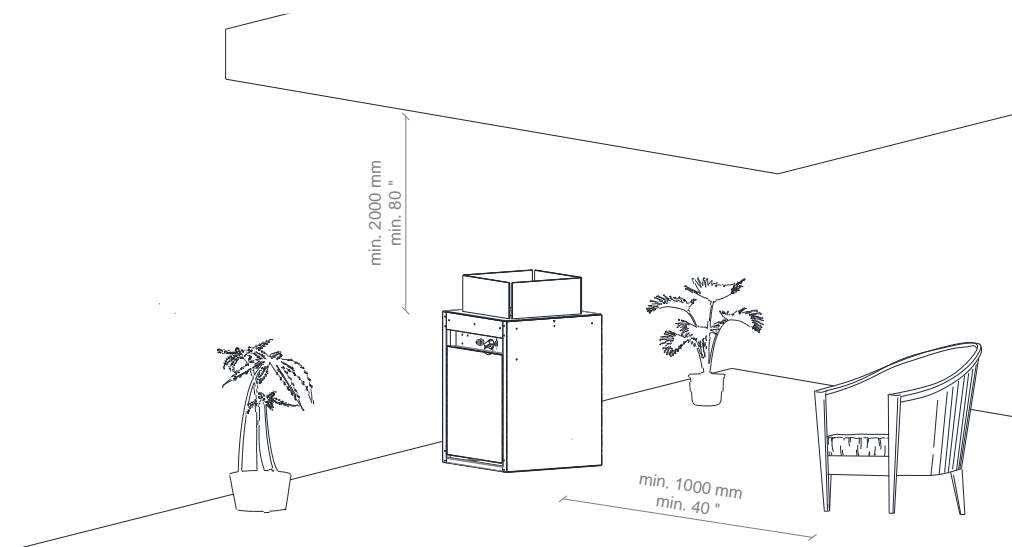


Fig. 1: Minimum distance to flammable materials

- When The Square fireplace is on it's not to be exposed to rain.
- When not being used The Square is to be protected from atmospheric conditions and the main valve of the gas cylinder needs to be turned off.

- If The Square is not in use for a longer period Squared of time (e.g. winter time), we advise you to store it inside.
- The Square fireplace's parts are made of stain resistant material.
- Never leave a turned on Square without supervision.
- The Square fireplace needs to be installed in a place inaccessible for children, unauthorised persons or animals for the direct contact with the flame or hot parts of the device to be impossible.
- In case of heavy wind The Square fireplace needs to be immediately turned off and one needs to wait until the heavy wind passes.
- In case of noticing any sort of gas leaks the fireplace as well as the main valve of the gas cylinder need to be turned off.
- After use turn off the gas cylinder valve.

2.1 Safety instruction regarding the use of the gas cylinders.

- Use only the type of gas and pressure specified by the manufacturer.
- The gas cylinders should always be placed in a vertical position – during use and transport.
- Always store the gas cylinder in an easily accessible place to allow its immediate turn-off.
- During the installation process do not allow an open flame or any ignited object to reach the gas cylinder.
- The gas cylinder should be in a distance not shorter than 1,5 metres away from The Square fireplace or in accordance to local regulations.
- Leaks should be found with the use of a cleaning liquid and water. If bubbles form on the surface that means that there's an existing leak.
- Always use a pressure regulator between the gas bottle and the device. Replace the pressure regulator every 5 years. The allowed pressures are: 30mbar, 37mbar (recommended), 50 mbar. Use only regulators complying with the European EN16129 Norm.
- Use only approved and certified gas connection linkage. Replace the linkage every 2 years.
- The elastic linkage connecting gas to the fireplace is to be led away from sharp edges and hot surfaces. Refrain from bends and twists of the elastic connection on its full length.
- Remember that the LPG bottle should be stored in a well-ventilated place. LPG gas is heavier than air and its accumulation near the bottom surface may generate an explosive mixture.
- The housing in which the LPG bottle is (optionally) placed needs to have an appropriate ventilation. The housing needs to have an upper ventilation slot above the top of the bottle (of an area min 1/100 of the area of the base of the housing) and a lower ventilation slot (of an area min 1/50 of the area of the base of the housing).
- The gas cylinder needs to be shut if the fireplace is not being used.
- Filling the gas cylinders is to be commissioned to certified gas filling stations.
- Replacement of empty cylinders for full ones is to be conducted only in authorised locations

3. INSTALLATION

3.1. Box contents

- 1x complete Square gas fireplace
- 4x Tempered glass screen
- 4x adjustable legs
- 1x AAA Batteries (placed under the ignition button)
- 1x box of decorative stones
- 1x 4 metre rubber gas linkage – installed
- 1x pressure regulator (37mbar) – installed
- 1x installation manual and user's manual

3.2. Unboxing and installation

- The contents of the boxes need to be carefully unwrapped from the foam foil.
- Remove the bags with decorative stones from the burner reservoir and place them away from it.
- Remove the Styrofoam placed on the unit.
- Carefully lift the appliance and pull out the glass shield wrapped in cardboard from the inside of The Square.
- Check the completeness of the elements with the contents list.
- Make sure that the device nor its elements weren't damaged during the transportation (if they were, notify the supplier).
- Place Square on a flat, paved surface outside of the building, preferably on the place of final installation. Leave sufficient space on the side of the appliance where control panel is located (minimum 1 m).
- The decorative stones are to be scattered evenly around the reservoir to completely cover the burner of the fireplace.



Fig. 2 –SQUARE ignition elements detail

- Install carefully the side glass shields (See point 3.3).
- If all the points were completed according to the instruction the gas bottle can be now connected

3.3. Installation of glass screens and adjustable legs

- Carefully remove cardboard and foam foil from the glass screens.
- Remove all contaminations from the glass shields which could burn out on the glass during operation of The Square (in particular fingerprints).
- Install glass shields and adjustable legs in the corresponding slots on the appliance as shown below
- Remove the glass shield only in case of damage of the glass.

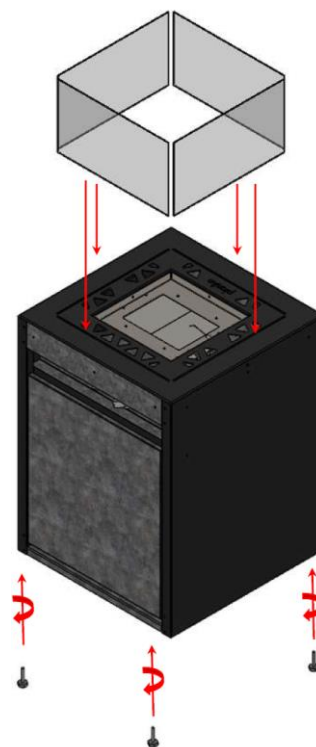


Fig. 3 – Glass installation

3.4. Gas cylinder montage (only LPG version)

- The gas linkage attached to the device allows to place the gas bottle maximally 3 meters away from the connected control panel, however it cannot be placed closer to the device than 1,5 meters. You can follow the local regulations if it provide different distance requires. A smaller gas cylinder can be connected and placed inside the appliance. Before use, compare the size of the cylinder with the **available space in the appliance**.

Gas cylinder outside the device	Gas cylinder inside the device (Available space inside the appliance is 450x420 x460mm – D x W x H)

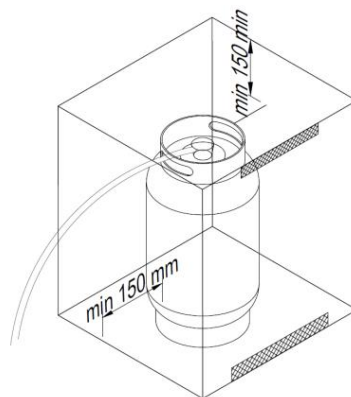


Fig. 4 – Housing for gas cylinder

- The optional housing for the gas bottle cannot be airtight and has to be correctly ventilated. The housing needs to have an upper ventilation slot above the top of the bottle (of an area min 1/100 of the area of the base of the housing) and a lower ventilation slot (of an area min 1/50 of the area of the base of the housing). The dimensions of the housing may vary to accommodate different types and dimensions of the gas bottles however they also have to be sufficient for hassle-free installation of the gas bottle.

3.5. Installation of the gas linkage

WARNING!!! The montage and service needs to be conducted by a qualified professional, a company or the gas supplier.

Before proceeding with the connection of the gas cylinder to the fireplace all activity regarding the correct placement and installation of The Square needs to be already performed. Place the gas linkage away from hot or sharp edges and make sure it is not twisted.

3.5.1. Connection and replacement of the gas cylinder (LPG version)

The Square is delivered together with an elastic gas linkage which, on one end is connected to the valve of the device and on the other end to the gas regulator ready to be connected to the gas cylinder.

Pressure reducer type	Country	Connection Type	Inlet Diameter	Output
Type A	FR, UK, IE	Clip On	27 mm	G1/4"-LH
Type B	ES, DK, NO, FI, EE, PT, CY	Clip On	35 mm	G1/4"-LH
Type C	PL, DE, LT, AL, BE, CZ, SK, SI, LV, HR, CH, UA, RS, MK, BiH	Twist On	23 mm	G1/4"-LH
Type D	IT, GR	Twist On	20 mm	G1/4"-LH

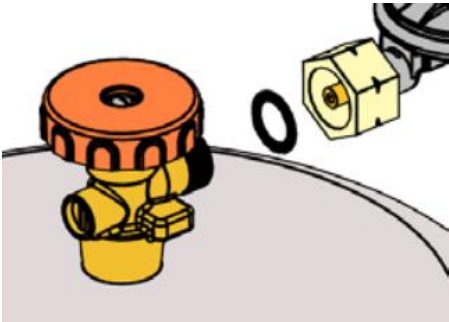
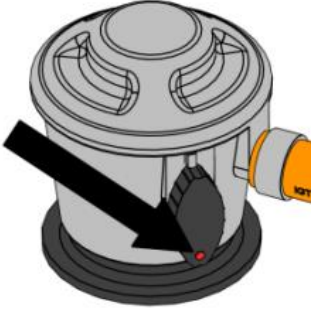

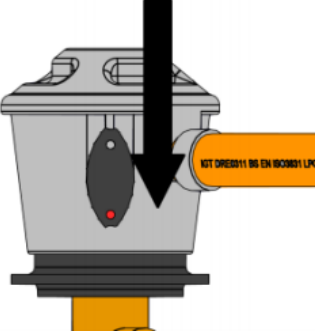

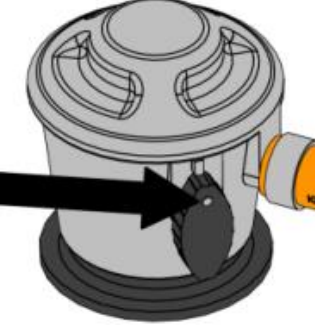
If your gas cylinder has a different inlet size or requires a different regulator, replace the included regulator with the required one (available separately at your local market)

WARNING!!! NEVER use an unstable gas connection or a regulator for other gas pressure.

Gas cylinders have two types of connectors:

- Twist-on connection: The most important thing is the black seal. Always check if the seal is present and that it hasn't been damaged during the gas cylinder replacement. Some connections have a knob to fasten them in place while others require the use of a wrench. Tighten securely (left thread). Using the tool pay attention not to fasten the connection too tightly as this may damage the seal.
- Quick-release: For this type of connection no tool is required. On/off regulation of gas connection is made through a switch on the regulator or on a special connector. In case of using a connector with a thread regulator of an old type put a special emphasis on checking if the connecting nut has been tightly fastened with the help of wrench.

Gas cylinder connection

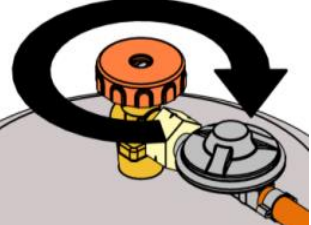
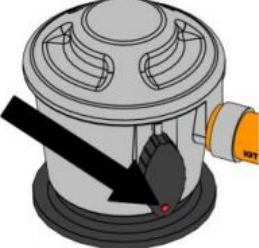

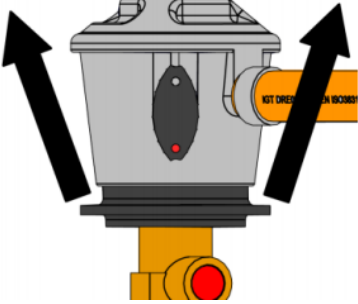
Twist-on connection	Quick-release
<ol style="list-style-type: none">1. Check if the bottle valve is TURNED OFF turning it clockwise2. Remove the protection tip and store it for later use.	<ol style="list-style-type: none">1. Remove the protection tip. Do not use any tools, leave the tip hanging freely.
<ol style="list-style-type: none">3. Before making the connection check if the black seal is not damaged. 	<ol style="list-style-type: none">2. Make sure all the taps on the gas device are closed and if the switch in in the OFF position. 
<ol style="list-style-type: none">4. Fit the connecting nut to the cylinder with the use of a correct wrench or the connecting knob. (left thread) Do not allow the gas bottle connectors to be fastened too tightly. 	<ol style="list-style-type: none">3. Place the quick-release regulator on the valve and press it down hard. If the switch is correctly turned off you will hear a characteristic click. 
<ol style="list-style-type: none">5. When the gas flow is required turn the valve of the bottle counter-clockwise. 	<ol style="list-style-type: none">4. To let the gas flow in turn the switch into the ON position (or into the flame image). 

- Place the gas bottle in a correct distance from the fireplace (min 1,5 metres away).

WARNING!!! Check the gas connection for leakage. If anything suggests a leak is present (for instance a characteristic gas smell) close the gas bottle valve and under no circumstances turn the device on before removing the leak. (See point 5.1).

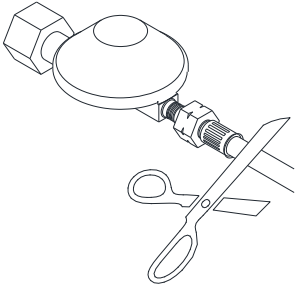
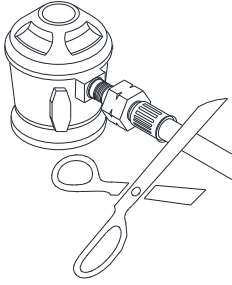
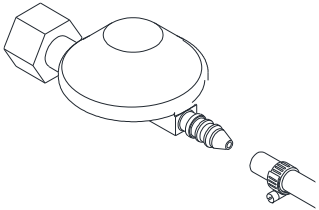
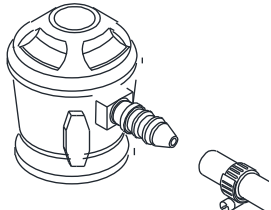
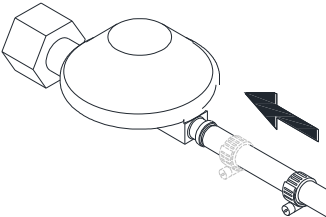
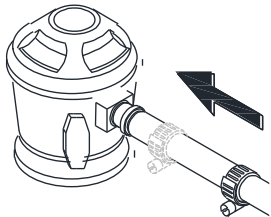
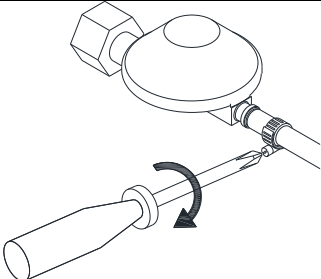
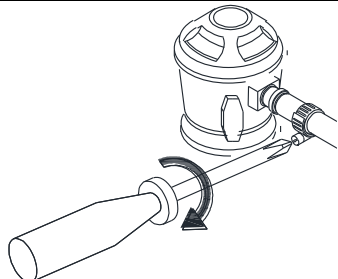
- After removing the leak one may open the gas bottle valve again.

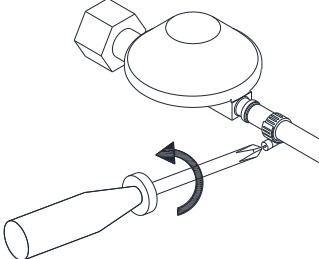
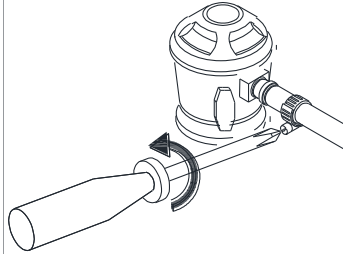
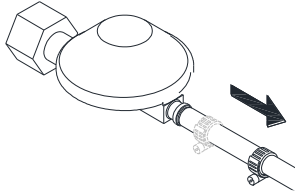
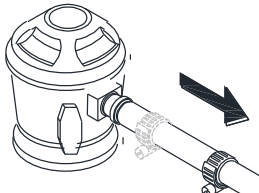
Disconnection of the gas cylinder

Twist-on connection	Quick-release
1. Turn off The Square — put it into the OFF position. The main and pilot burner need to be turned off.	2. Turn the switch into the OFF position.
2. Turn the bottle valve into the OFF position (clockwise). 	
3. NEVER DO NOT unmount the regulator (or connecting nut) when the bottle valve is open. 4. TAKE OFF the regulator (or the connecting nut) with the use of a wrench or a connecting knob. 	3. Take off the quick-release regulator by pressing the switch horizontally and simultaneously pulling the whole regulator upwards. 
5. REPLACE the linkage closer or cap on the empty or partially full bottle if it's not being used.	4. REPLACE the tightening cap on an empty or partially full bottle if it's not being used.

3.5.2. Regulator replacement

1. You always need to use a pressure regulator between the gas bottle and the device. Replace the pressure regulator every 5 years. Allowed pressures: 30 mbar, 37 mbar (recommended), 50 mbar. Use only the regulators that comply with the EN16129 European Norm.
2. Turn off The Square — the „OFF” position. The main burner need to be turned off.
3. Disconnect the regulator from the gas bottle (description above).

	Twist-on connection	Quick-release
4. Cut off attached pressure reducer or go to step 4.1. if you have pressure reducer with clamp connection.		
5. Replace the regulator to new one with clamp connection by attaching new linkage on the stub of regulator.		
6. Move the clamp into the stub		
7. Tighten the clamp with screwdriver (philips) or a flat wrench. WARNING! In the event of visible damage on the clamp, replace it for a new one.		

	Twist-on connection	Quick-release
4.1. Loosen the metal clamp with the use of a screwdriver (philips) or a flat wrench.		
4.2. Move the clamp away from the stub of gas regulator and go to step 5		

4. OPERATING INSTRUCTIONS

4.1. General Notes

The Square fireplace has a control valve with a built-in ignition for the main burner (without pilot flame). The flame height of the main burner may be appropriately regulated with by turning the knob. Next to the knob is placed elective ignition button (powered by AAA battery). The control panel is placed on one of the shorter sides of the base of the fireplace.



Fig. 5– Control knob

4.2 Start-up of the device

- Make sure that the knob is placed in „OFF” position (all the way clockwise).

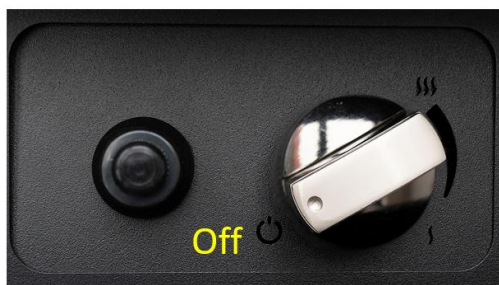


Fig. 6– Off position

- Open the valve on gas cylinder.
- Press the knob and while still pressing turn it counter-clockwise from position (1) to position (2)



Fig. 7– Turning the device on

- While keeping the knob still pressed start the flame by pressing the ignition button (3).



Fig. 8– Ignition sequence

- A spark will appear which ignites the main burner on the minimum flame height. If the flame did not ignite repeat this process 2-3 times. This will be required especially when you have replaced and installed a new LPG gas cylinder.
- When the flame is ignited keep holding the knob for around 5 seconds until the thermo-couple, which will keep the main valve in an open position, warms up.
- You may now release the knob. If however the flame is extinguished repeat the process once again until a stable flame is achieved.

WARNING!!! After 2-3 unsuccessful attempts terminate and check the connections. Try again in 10 minutes. If the installed gas bottle is new or the fireplace has not been used for a longer pe Squared the first thing that needs to be done is to release air from the gas linkage. In this case conducting a few attempts will be needed until the flame is ignited.

4.3 Regulation of the flame size

- When the flame is burning the desired height of the flame may be adjusted and regulated by turning the knob clockwise or counter-clockwise.
- To achieve a higher flame turn the know clockwise to “Hi” position. To achieve a lower flame turn the knob counter- clockwise to “Lo” position (*Fig. 9*).



Fig. 9– Flame regulation

4.4 Device shutdown

- To turn off the device, simultaneously press and turn the knob all the way clockwise. The gas supply will be cut and the flame on burner will be turned off.



Fig. 10 – Turning the device off

- Additionally, close also the valve on the gas cylinder

4.5 Replacing the battery

If the battery is inserted incorrectly, the electronic ignitor may be irreparably damaged. Only replace the battery when the appliance has been completely switched off.

The battery is placed in the container located on the control pane next to the flame regulation knob

- Unscrew the ignition button
- Remove the battery and place the new one into the slot.

WARNING! Remember about proper polarization of the battery.

- Screw the cover of the battery container.

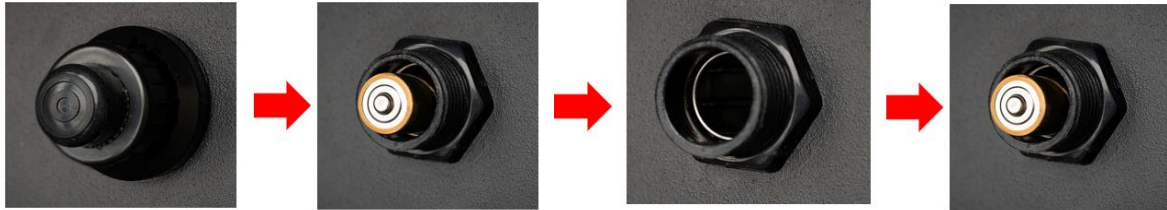


Fig. 11 – Replacing batteries

5. TESTING

WARNING!!! NEVER TURN ON THE DEVICE IF THE CHARACTERISTIC SMELL OF GAS IS PERCEPTIBLE.

If you smell gas during the operation of the fireplace turn off the device immediately and cut off the gas supply from the gas cylinder by shutting its valve.

5.1 Checking for gas leaks.

- Check if all connections are airtight.
- To do that apply all connections with soapy water (or water with another foamy substance) or with a professional spray for leak detection.
- If air-bubbles are present that means the connection has a leak.
- Remove the leaks in the identified spaces.
- Check for leaks once again.
- After the inspection dry the inspected connections.
- The device may only be used again after all leaks are removed.
- **If the problem happens again please contact the dealer.**

5.2 Checking the flame appearance.

- Burn The Square on max flame height and check the appearance of the flame.
- The flame should be linear and evenly placed on the whole length of the main burner.
- If visible gaps are present or there are substantial differences in flame height turn off the fireplace and after the device is cooled adjust the placement of decorative stones in such a way for them to be evenly placed on the whole surface of the main burner.
- Turn on the fireplace and check the appearance of the flame once again.

6. MAINTENANCE AND UPKEEP

6.1. Testing and cleaning

Please check and clean if necessary:

- The main burner - if necessary, remove broken parts of stones and the existing dust.
- Thermo-couple (if necessary, remove the existing sediment). In the event of visible damage contact your dealer.
- Glass screens – check for dirt smudges or possible scratches or cracks. If cracks are present replace the glass screen for a new one. To conduct this contact your dealer.
- Gas linkage and pressure regulator (in case their expiry date is invalid replace these ancillaries for new ones).
- If you encountered problems with the regulator, gas linkage, burner or regulation valves do not try to fix these parts. Contact a sales person, an authorised service or an importer in order to acquire spare parts. To ensure the device is working efficiently use only original spare parts.

6.2. Glass cleaning

Most of the existing types of smudges may be wiped with a dry cloth. In case of more substantial smudge you may use liquids normally applied to ceramic tiles or windows. Always dry the glass screen to avoid damp patches which could irreversibly embed into the glass.

WARNING!!! Avoid leaving fingerprints on the glass. They will be embedded into the glass and you will not be able to clean them.

7. TROUBLESHOOTING

Warning! Montage, upkeep and service need to be conducted by a qualified professional with appropriate qualification, an appropriate company or the gas supplier.

PROBLEM	POSSIBLE CAUSE	CORRECTIVE ACTION
SMELL OF GAS	CLOSE THE VALVE ON THE GAS CYLINDER IMMEDIATELY. DO NOT USE THE DEVICE UNTIL LEAKS HAVE BEEN REMOVED.	
Leak detected at cylinder, regulator or other connection.	<ol style="list-style-type: none"> 1. A loose regulator linkage. 2. Leak in the gas linkage, in the regulator or on the gas knobs. 	<ol style="list-style-type: none"> 1. Tighten and test it. 2. Report this issue to service.
Burner does not ignite	<ol style="list-style-type: none"> 1. The bottle is empty. 2. Igniter linkage is not connected. 3. No ignition spark. 4. The igniter electrode is placed incorrectly opposite the igniter. 5. Gas nozzles are blocked. 6. Gas linkage is twisted. 7. Pressure regulator link is loose. 	<ol style="list-style-type: none"> 1. Replace Gas Cylinder. 2. Connect the igniter linkage. 3. Replace igniter. 4. Realign electrode and clear any surrounding debris from area. 5. Unmount burner, clean the nozzle. 6. Straighten the linkage. Keep the linkage away from the housing. 7. Tighten the link. Check for leaks.
Igniter Not Working	<ol style="list-style-type: none"> 1. Ignitor wire not connected. 2. Electrode misaligned on pilot burner 3. Igniter malfunction 4. The battery has run out 	<ol style="list-style-type: none"> 1. Ensure pilot electrode wire is connected. 2. Realign electrode and clear any surrounding debris from area. 3. Replace Igniter 4. Replace battery
Low efficiency, „cracking” sounds	<ol style="list-style-type: none"> 1. The bottle is empty. 2. The nozzles of the burner are blocked. 	<ol style="list-style-type: none"> 1. Replace Gas Cylinder. 2. Unmount the burner, clean the nozzle.
Thumping sounds made by the regulator.	The cylinder valve has opened rapidly.	Unfasten the bottle valve slowly.
A vivid/ bright orange and smoky flame of the burner.	Holes blocked in the apparatus producing the gas and air mixture.	Unmount the burner and clean/ unblock the apparatus' holes.

8. MANUFACTURER'S CONTACT DETAILS

Company Name: Planika Sp. z o.o.
 Address: Bydgoskich Przemysłowców 10
 Telephone: + 48 52 364 11 60

9. TECHNICAL SPECIFICATION

Appliance Category		I3P			I3B/P			I3+	
Reference gas		G31			G30			G30	G31
Inlet pressure	[mbar]	30	37	50	30	37	50	28-30	37
Injector diameter	[mm]	1,4			1,4			1,4	
Gas consumption	[kg/h]	0,5	0,55	0,65	0,5	0,55	0,65	0,5	0,55
Nominal Heat Input (Hi)	[kW]	6,4	7	8,3	6,4	7,8	9,1	7,4	7,4
Nominal Heat Input (Hs)	[kW]	7	7,7	9,0	8	8,5	10	8	8
Safety device	Thermocouple								
Gas control valve	BS190								
Flexible hose (4 m)	Ø9mm								

SELLER	
Name:	Seller's seal and signature
Address:	
Tel/fax:	
Date of sale:	
BUYER	
Name:	
Address:	
Tel/fax:	
Date of purchase:	
The gas fireplace should be installed by a qualified Installer in accordance with the applicable national building regulations and in accordance with the guidelines contained in the Installation and User's Manuals.	
I hereby declare that having read the User's Manual and the Guarantee Conditions.	
Date and legible signature of the Buyer	
INSTALLER	
Name:	Installer's seal and signature
Address:	
Tel/fax:	
Date of commissioning:	
I hereby declare that the gas fireplace installed by my Company has been installed in accordance with the applicable building regulations and in accordance with the guidelines contained in the Installation and User's Manuals. The installed gas fireplace is ready for safe operation.	

DIE KENNTNISNAHME DER MONTAGEANLEITUNG UND DEREN

AUFBEWAHRUNG SIND PFLICHT

INHALTSVERZEICHNIS

1.	EINFÜHRUNG	17
2.	SICHERHEITSHINWEISE	17
2.1	Handhabung zur Nutzung der Gasflasche.....	18
3.	INSTALLATION	19
3.1.	Verpackungsinhalt.....	19
3.2.	Auspacken und Installation.....	19
3.3.	Installation von Glasscheiben und verstellbaren Füßchen	20
3.4.	Aufstellen der Gasflasche (nur LPG version).....	20
3.5.	Installation des Gasanschlusses	21
3.5.1.	Anschluss und Austausch der Gasflasche (LPG version)	21
3.5.2.	Austausch des Druckminderers.....	24
4.	BEDIENUNGSANLEITUNG	25
4.2.	Allgemeine Informationen	25
4.2	Inbetriebnahme des Gerätes	25
4.3	Regulierung der Flammenhöhe	26
4.4	Ausschalten des Gerätes	26
5.	ÜBERPRÜFUNGEN.....	27
5.1	Überprüfung der Gasausströmung	27
5.2	Überprüfung des Flammenbildes.....	28
6.	WARTUNG UND INSTANDHALTUNG.....	28
6.1.	Überprüfung und Reinigung.....	28
6.2.	Reinigung der Glasscheiben	28
7.	FEHLERBEHEBUNG	29
8.	KONTAKTDATEN DES HERSTELLERS	29
9.	TECHNISCHE DATEN.....	29

1. EINFÜHRUNG

Square ist eine dekorative Feuerstelle mit Brennstoffeffekt und ausschließlich zur Nutzung im Außenbereich bestimmt. Vor der Installation und ersten Inbetriebnahme von The Square ist es obligatorisch sich mit diesem Handbuch vertraut zu machen. Die vorliegende Montageanleitung soll für die ganze Verwendungsdauer aufbewahrt werden.

ACHTUNG! Das Gerät muss von einem für Gasheizung und Elektrizität zertifizierten und qualifizierten Spezialist installiert werden, der über alle nach dem lokalen Recht erforderliche Qualifikationen verfügt. Bei Nichtbeachtung folgender Vorschriften, kann es sein, dass die Garantie nicht anerkannt wird.

2. SICHERHEITSHINWEISE

- Vor der ersten Inbetriebnahme des Gerätes bitte die Anleitung sorgfältig lesen.
- Das Gerät ist nur für Außenbereiche bestimmt.
- Square unterliegt einer fachmännischen Installation und einer jährlichen Wartung, die anhand der vorliegenden Montageanleitung und deren Landesvorschriften über die mit Gas betriebenen Geräte durchgeführt werden sollten (Installation und Nutzung).
- Überprüfen Sie, ob die Daten auf dem Typenschild mit dem lokalen Typ des Gases und Druck übereinstimmen.
- Sowohl die Änderung der Gerätkonstruktion und der mit Plomben versehenen Bauteile, als auch die Modifizierung der Fabrikeinstellungen von Square sind verboten.
- Das Aufstellen von zusätzlichen Deko-Steinen oder glühenden Kohlen auf den Brenner oder in den Brennkammern ist nicht erlaubt.
- In der Nähe des Gerätes muss sich ein mit Pulver oder CO₂ gefüllter Feuerlöscher befinden
- Bei der ersten Inbetriebnahme muss Square einige Stunden bei maximaler Leistung brennen, so dass alle Bauteile komplett erwärmt werden, um alle Lack-, Farbe und Schmiermittlrückstände restlos zu verdampfen.
- Wenn das Gerät im Betrieb ist, darf dieses nicht berührt werden.
- Square wurde für Dekorationszwecke entwickelt. Mit Ausnahme von den Seitenwänden und dem Bedienpanel können sich die Oberflächen des Gerätes sowie die Glaspaneele bis zu 100°C aufheizen.

ACHTUNG!!! Die erreichbaren Teile des Gerätes können sehr heiß sein, halten Sie daher die Kinder vom Gerät fern.

- Glaspaneele dürfen nur dann installiert werden, wenn die Feuerstelle im Betrieb ist.
- Wenn die Feuerstelle im Betrieb ist soll mindestens 1 Meter Abstand von brennbaren Materialien und 2 Meter Abstand über den Flammen eingehalten werden (Abbildung 1).

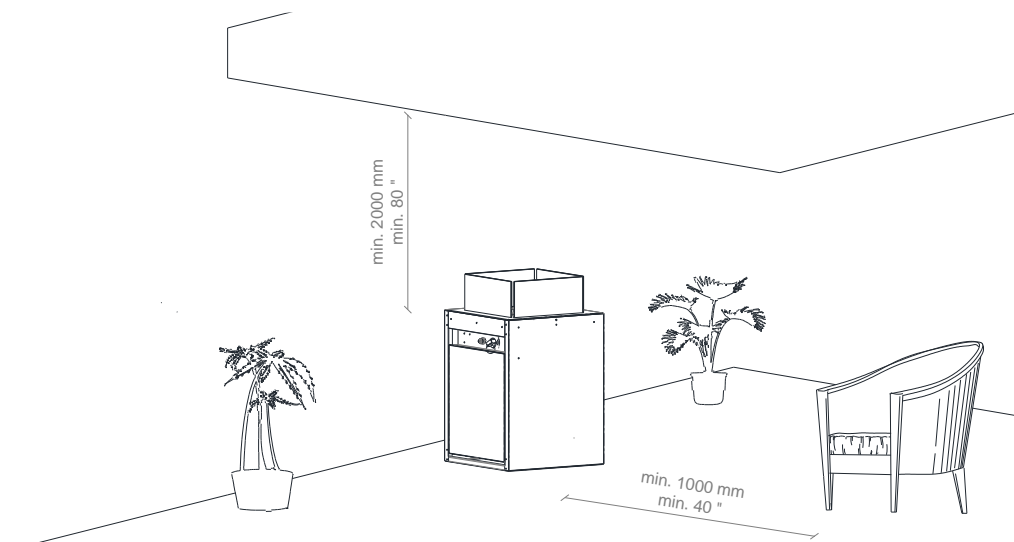


Abbildung 1: Mindestabstand zu brennbaren Materialien

- Square in Betrieb vor Regen schützen.
- Bei längerer Nichtverwendung ist es empfohlen, Square in einem Innenraum aufzubewahren.
- Die übrigen Elemente von Square sind aus rostfreien Materialien hergestellt.
- Square darf nur unter Aufsicht betrieben werden.
- Square muss an einem Ort installiert werden, der für Kinder, unbefugte Personen oder Tiere unzugänglich ist, damit der direkte Kontakt mit den Flammen oder heißen Teilen der Feuerstelle unmöglich ist.
- Bei einem starken Wind soll Square sofort ausgeschaltet werden und man muss warten bis der Wind vorbei ist
- Beim Feststellen von Gasgeruch das Gerät sofort ausschalten und das Hauptventil der Gasflasche verschließen bzw. zudrehen.
- Nach der Benutzung ist das Hauptventil der Gasflasche zu verschließen bzw. zuzudrehen

2.1 Handhabung zur Nutzung der Gasflasche

- Das Gerät darf nur mit den vom Hersteller bestimmten Gassorten und Drücken betrieben werden.
- Die Gasflasche darf nur senkrecht aufgestellt werden, sowohl während des Betriebes als auch beim Transport
- Die Gasflasche nur an leicht zugänglichen Orten aufstellen, sodass deren Verschließen jederzeit möglich ist.
- Während der Installation niemals mit Feuer oder glühenden Gegenständen an die Gasflasche näher kommen.
- Den Mindestabstand von 1,5 Meter zwischen der Gasflasche und Square einhalten.
- Mögliche Gasausströmungen kann man mit einer Mischung von Reinigungsmitteln (Spülmitteln) und Wasser sichtbar machen. Luftblasen weisen auf Gasausströmung hin (Undichtigkeit, Lecks).
- Immer Druckminderer zwischen der Gasflasche und der Feuerstelle verwenden. Der Austausch vom
- Druckminderer muss jedes fünfte Jahr stattfinden! Die zugelassenen Betriebsdrücke: 30mbar, 37mbar (empfohlen), 50mbar. Nur Druckminderer nach der EU-Norm EN16129 verwenden.
- Nur geprüfte und zertifizierte Gasanschlüsse bzw. Gasschläuche verwenden. Der Austausch von diesen Komponenten muss jedes zweite Jahr stattfinden.
- Den elastischen Schlauch für die Gaszufuhr weit von scharfen Kanten oder heißen Oberflächen fernhalten.
- Schlauchbiegungen und Schlauchverdrehungen auf der ganzen Länge vermeiden.
- Die Gasflasche immer in einen gut belüfteten Raum aufstellen. Propan ist schwerer als Luft und seine Ansammlung in der Luft kann explosionsfähige Gemische erzeugen.
- Bei der optionalen Verkleidung für die Gasflasche muss eine ausreichende Belüftung vorhanden sein mit je zwei Lüftungsöffnungen, eine im oberen Bereich (von mindestens 1/100 der Grundfläche), als auch im unteren Bereich (von mindestens 1/50 der Grundfläche).
- Die Gasflasche verschließen, sobald das Gerät außer Betrieb ist.
- Mit der Füllung der Gasflaschen nur zertifizierte Fachbetriebe beauftragen.
- Den Austausch von Gasflaschen nur in zertifizierten Tauschstellen vornehmen.

3. INSTALLATION

3.1. Verpackungsinhalt

- 1x komplette Square-Feuerstelle
- 4x Scheiben aus Hartglas
- 4x verstellbare Füßchen
- 1x AAA Batterie (unter dem Zündknopf platziert)
- 1x Tüte mit Ziersteinen
- 1x 4 Meter Gummischlauch – vormontiert
- 1x Druckminderer (37mbar) – vormontiert
- 1x Montage- und Betriebsanleitung

3.2. Auspacken und Installation

- Vor dem Auspacken ist erst die Schaumfolie sorgfältig zu entfernen
- Die Tuten mit Deko-Steinen aus der Brennerrinne herausziehen und zur Seite legen.
- Styroporplatten vom Produkt entfernen.
- Das Gerät vorsichtig hochheben und die Glaspaneele sowie andere einzelne Elemente aus der Verpackung herausziehen.
- Vollständigkeit anhand vom Verpackungsinhaltsverzeichnis überprüfen.
- Überprüfen, dass die Feuerstelle und andere Komponente während des Transportes nicht beschädigt wurden. Jede Beschädigung unverzüglich dem Beförderungsunternehmen melden.
- Square auf eine flache Ebene, am besten direkt an den endgültigen Aufstellungsort platzieren. An der Seite wo sich der Bedienpanel befindet mindestens 1 Meter freier Raum gewähren.
- Die Ziersteine gleichmäßig verteilen, um den Brenner komplett zu bedecken.



Abbildung 2 –SQUARE Zündelement

- Die Glaspaneele vorsichtig installieren (Siehe Punkt 3.3).
- Sobald alle oben erwähnte Schritte durchgeführt wurden, darf jetzt die Gasflasche angeschlossen werden.

3.3. Installation von Glasscheiben und verstellbaren Füßchen

- Vor der Verpackung der Glasscheiben ist erst die Schaumfolie sorgfältig zu entfernen
- Von den Glasscheiben alle Verunreinigungen entfernen (insbesondere Fingerabdrücke). Beschmutzungen oder Fingerabdrücke können Einbrennungen verursachen.
- Die Glasscheiben und verstellbaren Füßchen in entsprechende Schlitze am Gerät montieren (wie unten gezeigt)
- Die Glaspaneele dürfen nur im Falle ihrer Beschädigung entfernt werden

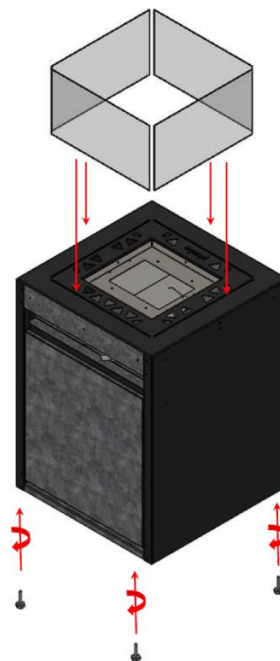


Abbildung 3 – Montage der Glasscheiben

3.4. Aufstellen der Gasflasche (nur LPG version)

- Die dem Gerät beiliegende Gasleitung ermöglicht die Installation der Gasflasche in der maximalen Entfernung von 3 Meter vom Bedienpanel. Die Gasflasche darf aber nicht näher als 1,5 Meter von der Feuerstelle installiert werden. Sie können die lokalen Vorschriften befolgen, falls diese einen anderen Abstand erfordern. Eine kleinere Gasflasche kann angeschlossen und im Gerätegehäuse versteckt werden. Vergleichen Sie die vor der ersten Inbetriebnahme die Größe der Gasflasche mit dem verfügbaren Platz im Gehäuse.

Gasflasche außerhalb der Feuerstelle	Gasflasche im Gerätegehäuse platziert (Die Abmessungen des verfügbaren Platzes im Gerätegehäuse 450x420 x460mm – D x W x H)

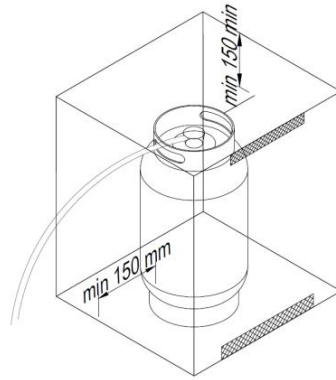


Abbildung 4 – Gehäuse für Gasflasche

- Die optionale Verkleidung für die Gasflasche darf niemals dicht geschlossen sein. Bei Gasflaschenverkleidung muss eine ausreichende Belüftung gewährt werden, mit je zwei Lüftungsöffnungen, eine im oberen Bereich (von mindestens 1/100 der Grundfläche), als auch eine im unteren Bereich (von mindestens 1/50 der Grundfläche). Die Abmessungen der Verkleidung können je nach dem Typ der Gasflasche unterschiedlich sein, doch müssen ausreichend für die ungehinderte Installation der Gasflasche sein.

3.5. Installation des Gasanschlusses

ACHTUNG!!! Die Montage und Wartung müssen verpflichtend von qualifizierten und berechtigten Personen wie geschulte Monteure oder Mitarbeiter der spezialisierten Unternehmen durchgeführt werden.

Bevor Sie mit dem Anschluss an die Gasflasche anfangen, sollen Sie alle Aktivitäten für die ordnungsgemäße Installation des Square durchgeführt haben. Halten Sie den elastischen Schlauch für die Gaszufuhr weit von scharfen Kanten oder heißen Oberflächen fern. Vergewissern Sie sich, dass der Schlauch nicht verdreht ist.

3.5.1. Anschluss und Austausch der Gasflasche (LPG Version)

Der Square wird zusammen mit einem elastischen Gasgestänge geliefert, das an einem Ende mit dem Ventil des Geräts und am anderen Ende mit dem Gasregler verbunden ist und an die Gasflasche angeschlossen werden kann.

Typ des Druckminderers	Land	Anschluss Typ	Eingangsdurchmesser	Ausgang
Type A	FR, UK, IE	Clip On	27 mm	G1/4"-LH
Type B	ES, DK, NO, FI, EE, PT, CY	Clip On	35 mm	G1/4"-LH
Type C	PL, DE, LT, AL, BE, CZ, SK, SI, LV, HR, CH, UA, RS, MK, BiH	Twist On	23 mm	G1/4"-LH
Type D	IT, GR	Twist On	20 mm	G1/4"-LH

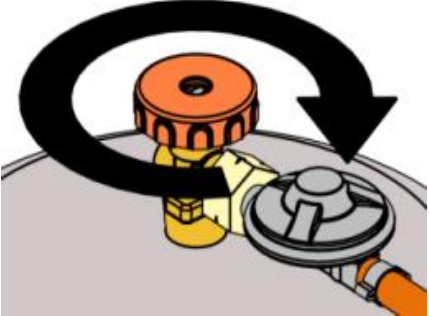


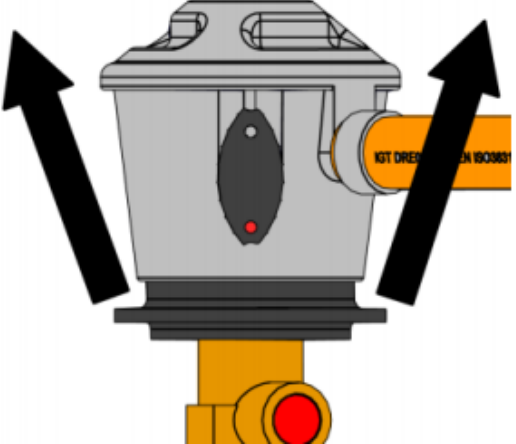
Wenn Ihre Gasflasche eine andere Eingangsgröße hat oder einen anderen Regler benötigt, ersetzen Sie den mitgelieferten Regler durch den erforderlichen (separat im Handel erhältlich).

ACHTUNG!!! NIEMALS eine instabile Gasströmung oder einen Druckminderer benutzen, der für einen anderen Druckwert bestimmt ist.

Für die Gasflaschen dienen zwei Typen der Steckverbindungen:

- Schneidringverschraubung:** der wichtigste Teil ist schwarzer Gummiring. Man soll jeweils überprüfen, ob der Gummi-Ring da ist und ob er während des Gasflaschenaustausches nicht beschädigt wurde. Manche Verschraubungen besitzen Knebelgriffe, die zum Festschrauben dienen. Bei anderen soll man Schlüssel verwenden, um das Linksgewinde fest zuzudrehen. Beim Schlüsselgebrauch soll man Gewinde nicht überdrehen, da es die Ringbeschädigung verursachen kann.
- Schnellkupplung:** bei diesen Steckverbindungen benötigt man keine Werkzeuge. Die Öffnung/Verschließung der Gasströmung ist durch ein Umschalter am Druckminderer oder an einem speziellen Verbinder möglich. Beim Gebrauch von einem Verbinder und dem Druckminderer mit Gewindetüllen des alten Typs bitte beachten, dass die Mutter fest mit einem Gabelschlüssel zugeschraubt ist.

Anschluss der Gasflasche

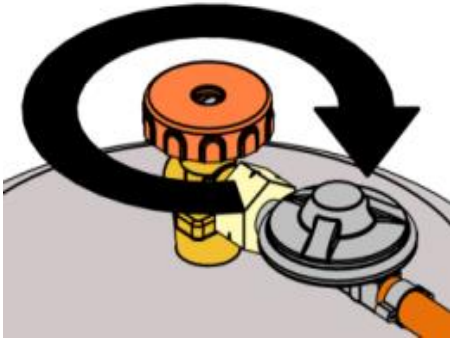
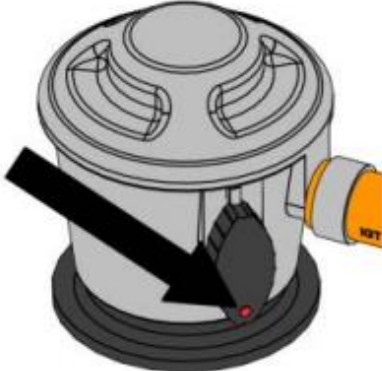

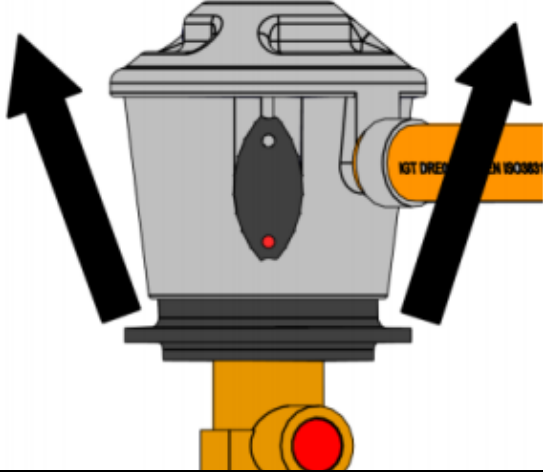
Schneideringverschraubung	Schnellkupplung
<p>1. Square ausschalten – die OFF-Stellung. Hauptbrenner und Zündflamme müssen gelöscht sein.</p>	<p>1. Square ausschalten – die OFF-Stellung. Hauptbrenner und Zündflamme müssen gelöscht sein.</p>
<p>2. Das Flaschenventil zur OFF-Stellung drehen (im Uhrzeigersinn).</p> 	<p>2. Den Umschalter zur OFF-Stellung -drehen.</p> 
<p>3. Den Druckminderer (oder die Überwurfmutter) NIEMALS beim offenen Flaschenventil trennen.</p> <p>4. TRENNEN Sie den Druckminderer (oder die Überwurfmutter) mithilfe eines Gabelschlüssels oder eines Knebelgriffes</p> 	<p>3. Setzen Sie den „schnellverbundenen“ Druckminderer aufs Gasventil fest und drücken Sie ihn nach unten. Wenn der Umschalter richtig geschlossen ist, hören Sie einen „Klick“.</p> 
<p>5. Die Ventilschutzklappe auf der leeren oder halbleeren Flasche AUFSETZEN, auch wenn sie nicht mehr benutzt wird.</p>	<p>4. Ventilschutzklappe auf der leeren oder halbleeren Flasche AUFSETZEN auch wenn sie nicht mehr benutzt wird.</p>

- Die Gasflasche im entsprechenden Abstand von der Feuerstelle (mindestens 1,5 Meter) stellen.

ACHTUNG!!! Alle Anschlüsse sollen auf ihre Dichtigkeit überprüft werden. Bei der Feststellung einer Undichtigkeit oder des Gasgeruchs, das Ventil sofort schließen. Das Gerät darf nicht in Betrieb genommen werden, sobald welche Undichtigkeiten bestehen (Siehe Punkt 5.1).

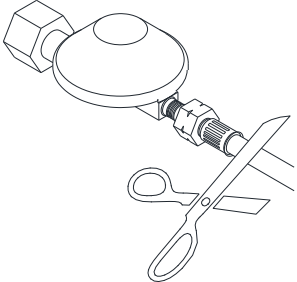
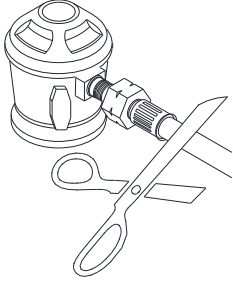
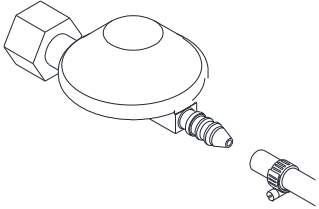
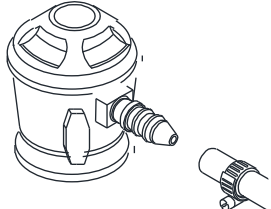
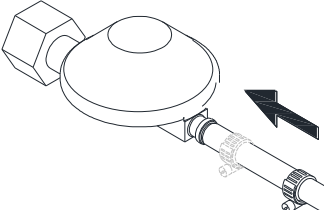
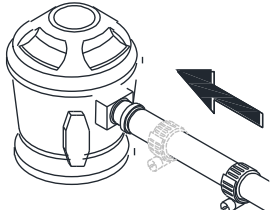
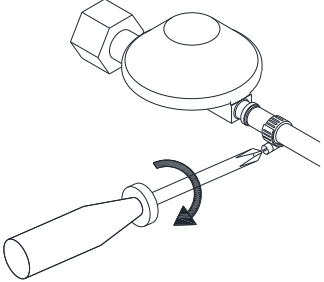
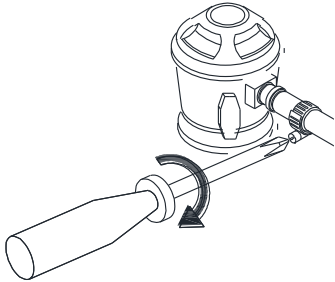
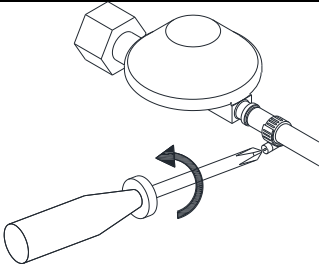
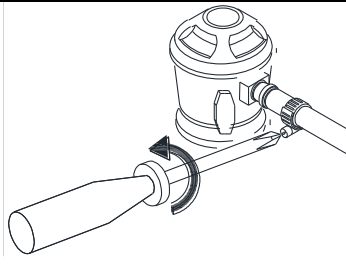
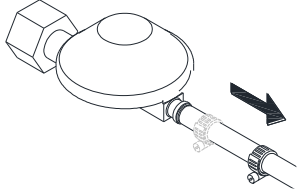
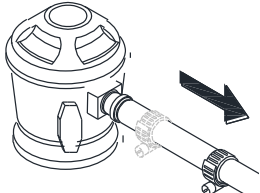
- Nach der Beseitigung der Undichtigkeiten darf das Flaschenventil wieder geöffnet werden.

Abklemmen der Gasflasche

Schneidringverschraubung	Schnellkupplung
<p>1. Square ausschalten – die OFF-Stellung. Hauptbrenner und Zündflamme müssen gelöscht sein.</p>	<p>2. Den Umschalter zur OFF-Stellung -drehen.</p>
<p>2. Das Flaschenventil zur OFF-Stellung drehen (im Uhrzeigersinn).</p> 	
<p>3. Den Druckminderer (oder die Überwurfmutter) NIEMALS beim offenen Flaschenventil trennen. 4. TRENNEN Sie den Druckminderer (oder die Überwurfmutter) mithilfe eines Gabelschlüssels oder eines Knebelgriffes</p> 	<p>3. Setzen Sie den „schnellverbundenen“ Druckminderer aufs Gasventil fest und drücken Sie ihn nach unten. Wenn der Umschalter richtig geschlossen ist, hören Sie einen „Klick“.</p> 
<p>5. Die Ventilschutzklappe auf der leeren oder halbleeren Flasche AUFSETZEN, auch wenn sie nicht mehr benutzt wird.</p>	<p>4. Ventilschutzklappe auf der leeren oder halbleeren Flasche AUFSETZEN auch wenn sie nicht mehr benutzt wird.</p>

3.5.2. Austausch des Druckminderers

1. Immer Druckminderer zwischen der Gasflasche und der Feuerstelle verwenden. Der Austausch vom Druckminderer muss jedes fünfte Jahr stattfinden. Die zugelassenen Druckhöhen: 30mbar, 37mbar (empfohlen), 50mbar. Nur Druckregler nach der EU-Norm EN16129 verwenden.
2. Square ausschalten – OFF-Stellung Hauptbrenner und Zündflamme müssen ausgeschaltet sein.
3. Den Druckminderer von der Gasflasche trennen (die Anleitung oben).

	Schneidringverschraubung	Schnellkupplung
4. Den Druckminderer abschneiden oder zum Punkt 4.1 übergehen, falls Druckminderer mit Klemmverschraubung vorhanden ist.		
5. Den Druckminderer durch einen neuen mit Klemmverschraubung ersetzen, indem neue Gestänge am Stutzen des Druckminderers installiert wird.		
6. Einen neuen Schlauch auf den Stutzen des Druckminderers aufsetzen.		
7. Die Metallbinde auf den Stutzen des Druckminderers zurück verschieben und bis zum Anschlag zudrehen. ACHTUNG! Bei sichtbaren Beschädigungen die Metallbinde austauschen.		
	Schneidringverschraubung	Schnellkupplung
4.1. Die Metallbinde mit einem Philips-Schraubendreher oder einem Gabelschlüssel lockern.		
4.2. Den Schlauch vom Stutzen des Druckminderers ausziehen und zum Punkt 5. übergehen.		

4. BEDIENUNGSANLEITUNG

4.1. Allgemeine Informationen

Der manuelle Kamin Square verfügt über ein Regelventil mit eingebauter Zündung für den Hauptbrenner (ohne Zünd- bzw. Pilotflamme). Die Flammenhöhe des Hauptbrenners kann durch Drehen des Knopfes entsprechend reguliert werden. Neben dem Drehknopf befindet sich ein optionaler Zündknopf (betrieben mit einer AAA-Batterie). Das Bedienfeld befindet sich auf einer der kürzeren Seite des Kaminsockels:



Abbildung 5 – Drehknopf

4.2. Inbetriebnahme des Gerätes

- Stellen Sie sicher, dass sich der Drehknopf in der Position „OFF“ befindet (Uhrzeigersinn-Position).

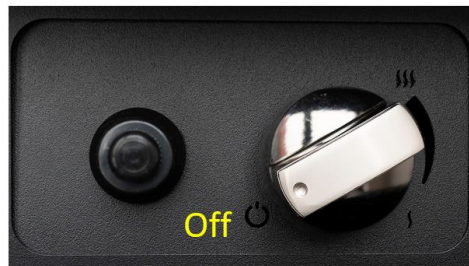


Abbildung 6– OFF-Position

- Öffnen Sie das Ventil an der Gasflasche
- Drücken Sie den Knopf und dann drehen Sie den Knopf, während Sie ihn weiterhin gedrückt halten, gegen den Uhrzeigersinn von Position (1) auf Position (2)



Abbildung 7 – Einschalten des Gerätes

- Während Sie den Drehknopf weiterhin gedrückt halten, drücken den Zündknopf (3), um die Feuerstelle einzuschalten.



Abbildung 8– Zündung

- Der Hauptbrenner zündet auf niedrigsten Flammenstufe. Wenn die Flamme nicht erscheint, wiederholen Sie diesen Vorgang 2-3 Mal. Dies ist insbesondere dann erforderlich, wenn Sie eine neue LPG-Gasflasche getauscht und bereits angeschlossen haben.
- Wenn die Flamme gezündet ist, halten Sie den Knopf ca. 5 Sekunden lang gedrückt, bis sich das Thermoelement erwärmt.
- Sie können jetzt den Knopf loslassen. Wenn die Flamme jedoch erlischt, wiederholen Sie den Vorgang noch einmal, bis eine stabile Flamme erscheint.

ACHTUNG!!! Nach 2-3 erfolglosen Versuchen überprüfen Sie die Anschlüsse. Versuchen Sie die Feuerstelle erst in 10 Minuten erneut einzuschalten. Wenn die eingebaute Gasflasche neu ist oder die Feuerstelle längere Zeit nicht benutzt wurde, muss zuerst die Luft aus den Gasleitungen abgelassen werden. In diesem Fall sind einige Versuche erforderlich, bis die Flamme gezündet wird.

4.3. Regulierung der Flammenhöhe

- Wenn die Flamme brennt, kann die gewünschte Flammenhöhe durch Drehen des Knopfes im oder gegen den Uhrzeigersinn eingestellt bzw. reguliert werden.
- Um eine höhere Flamme einzustellen, drehen Sie den Knopf im Uhrzeigersinn auf die Position „Hi“. Um eine niedrigere Flamme zu erreichen, drehen Sie den Knopf gegen den Uhrzeigersinn auf die Position „Lo“ (Abbildung 9).



Abbildung 9– Regulierung der Flammenhöhe

4.4. Ausschalten des Gerätes

- Um die Feuerstelle auszuschalten, drücken Sie den Knopf und gleichzeitig drehen Sie ihn bis zum Anschlag im Uhrzeigersinn. Die Gaszufuhr wird unterbrochen und die Flamme am Brenner wird ausgeschaltet.



Abbildung 10 – Ausschalten des Gerätes

- Schließen Sie zusätzlich auch das Ventil an der Gasflasche.

4.5. Batterietausch

Bei falsch eingesetzter Batterie kann das elektronische Zündgerät irreparabel beschädigt werden. Tauschen Sie die Batterie nur, wenn das Gerät vollständig ausgeschaltet ist. Die Batterie wird in den Behälter gelegt, der sich auf dem Bedienfeld neben dem Flammenregulierungsknopf befindet.

The battery is placed in the container located on the control pane next to the flame regulation knob

- Zündknopf abschrauben
- Alte Batterie durch die neue ersetzen

ACHTUNG! Beachten Sie bitte die richtige Polarisierung der Batterie.

- Schrauben Sie den Zündknopf wieder fest.

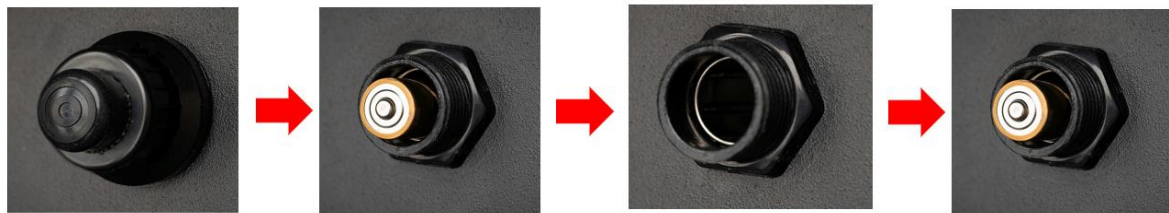


Abbildung 11 – Batterietausch

5. ÜBERPRÜFUNGEN

ACHTUNG!!! DIE FEUERSTELLE DARF NIEMALS IN BETRIEB GENOMMEN WERDEN, WENN EIN GASGERUCH WAHRNEHBAR IST!

Sollten Sie jemals Gasgeruch wahrnehmen während die Feuerstelle in Betrieb ist, schalten Sie das Gerät sofort aus und stoppen Sie die Gaszufuhr von der Gasflasche! Ventil sofort zudrehen!

5.1. Überprüfung der Gasausströmung

- Alle Anschlüsse sollten auf ihre Dichtigkeit überprüft werden.
- Für eine Überprüfung der Dichtigkeit sprühen Sie bitte alle Anschlüsse mit einem Reinigungsmittel bzw. Spülmittel (oder Wasser mit einer anderen schaumigen Substanz) oder nutzen Sie einen Lecksuch-Spray.
- Wenn Luftblasen vorhanden sind, bedeutet dies, dass die Anschlüsse undicht sind.
- Die Undichtigkeiten bzw. Leckagen müssen umgehend beseitigt werden.
- Nach der Behebung der festgestellten Undichtigkeiten muss erneut die Dichtigkeit überprüft werden.
- Nach der erneuten Überprüfung müssen alle Anschlüsse getrocknet werden.
- Das Gerät darf wieder in Betrieb genommen werden, nachdem alle Undichtigkeiten bzw. Leckagen beseitigt wurden
- **Sollte das Problem erneut auftauchen, setzen Sie sich bitte mit unserem Händler in Verbindung**

5.2. Überprüfung des Flammenbildes

- Schalten Sie Square auf der höchsten Flammenstufe und überprüfen Sie das Flammenbild
- Die Flamme sollte eine durchgehende Feuerlinie über die gesamte Länge des Hauptbrenners bilden.
- Falls deutlich größere Abstände oder Höhenunterschiede zwischen den Flammen entstehen sollten, schalten Sie die Feuerstelle aus, um nach einer kurzen Abkühlung die Deko-Steine auf der gesamten Fläche der Brennernische besser zu verteilen.

ACHTUNG!!! Die Zündanlage darf auf keinen Fall mit Steinen abgedeckt werden

- Nehmen Sie die Feuerstelle wieder in Betrieb und überprüfen Sie das Flammenbild erneut.

6. WARTUNG UND INSTANDHALTUNG

6.1. Überprüfung und Reinigung

Bei der Sichtüberprüfung alle Teile, wenn notwendig, reinigen:

- Bei dem Hauptbrenner sollten alle zerbröckelten Steine und Rußrückstände entfernt werden.
- Bei der Zündflamme und dem Thermoelement sollten Rußrückstände entfernt werden. Bei Beschädigungen setzen Sie sich mit dem Händler in Verbindung
- Bei der Zündelektrode (der Abstand zur Zündflamme sollte nicht größer 5 mm sein.
- Glasscheiben mit starker Verschmutzung und eventuellen Kratzer oder Rissen sollten die Scheibe(n) ausgetauscht werden. Hierfür setzen Sie sich bitte mit Ihrem Händler in Verbindung.
- Bei Gasleitungen und Druckminderern ist auf die Haltbarkeit der Bauteile zu achten und wenn nötig sollten diese ausgetauscht werden.
- Bei auftretenden Störungen mit den Reglern, Gasleitungen, den Brenner und Ventilen führen Sie bitte keine Selbstreparatur durch. Bitte setzen Sie sich jeweils mit dem Händler bzw. Verkäufer oder einem zertifizierten Serviceunternehmen in Verbindung, um die originalen Ersatzteile zu erhalten. Für eine optimale Effizienz des Geräts verwenden Sie bitte nur originale Ersatzteile.

6.2. Reinigung der Glasscheiben

- Die meisten Verschmutzungen können mit dem trockenen Touch abgewischt werden. Bei stärkeren Verschmutzungen verwenden Sie bitte ein Reinigungsmittel für Keramikplatten oder Fensterscheiben. Vor der Inbetriebnahme des Gerätes trocknen Sie bitte die Scheiben, sodass keine Wasserflecken bzw. Rückstände vorhanden sind, da sie bei hohen Temperaturen Einbrennungen in der Scheibe hinterlassen können.

ACHTUNG!!! Beachten Sie bitte die Fingerabdrücke auf den Glaspaneelen nicht zu hinterlassen. Sie werden in das Glas einbrennen und lassen sich später nicht reinigen.

7. FEHLERBEHEBUNG

ACHTUNG! Die Montage, Reparaturen und Wartung müssen von qualifizierten und berechtigten Personen wie geschulte Monteure oder Mitarbeiter der spezialisierten Unternehmen durchgeführt werden.

FEHLER	MÖGLICHE URSACHE	REPARATUR
GASGERUCH	AS VENTIL VON DER GASFLASCHE SOFORT SCHLIEßEN! DAS GERÄT BIS ZUR FACHBERECHTEN FEHLERBEHEBUNG NICHT MEHR BENUTZEN.	
Gasausströmung aus der Gasflasche, dem Druckminderer oder anderen Anschlüssen	1. Loser Anschluss des Druckminderers. 2. Ausströmen im Gasschlauch, Druckminderer oder Gasventil	1. Festziehen und überprüfen. 2. Fehler beim Serviceunternehmen melden.
Brenner brennt nicht	1. Die Gasflasche ist leer. 2. Kabel der Zündanlage nicht angeschlossen. 3. Keine Zündfunke. 4. Die Zündelektrode dem Brenner gegenüber falsch ausgerichtet. 5. Düsen verstopft. 6. Gasschlauch verdreht. 7. Anschluss des Druckminderers nicht fest.	1. Die Gasflasche tauschen. 2. Kabel richtig verbinden. 3. Austausch 4. Die Elektrode neu ausrichten und Rückstände entfernen. 5. Brenner ausbauen, Düsen reinigen. 6. Schlauch neu auslegen. Halten Sie die Leitung weit Gehäuse. 7. Festziehen und auf Undichtigkeiten prüfen.
Kein Funke	1. Kabel nicht korrekt angeschlossen. 2. Elektrode falsch ausgerichtet. 3. Elektrode funktioniert nicht.	1. Kabel richtig anschließen 2. Die Elektrode erneut ausrichten und alle Rückstände entfernen. 3. Austausch
Sinkende Effizienz, "knackendes" Geräusch	1. Die Gasflasche ist leer. 2. Düsen verstopft	1. Gasflasche tauschen 2. Brenner ausbauen, Düsen reinigen.
Rauschendes Geräusch des Druckminderers	Das Absperrventil zu schnell geöffnet.	Das Absperrventil langsam öffnen.
Intensiv orange und rauchende Flamme	Löcher des Brenners blockiert. Es wird Gas-Luft-Gemisch erzeugt.	Brenner ausbauen und die Löscher reinigen.

8. KONTAKTDATEN DES HERSTELLERS

Hersteller: **Planika Sp. z o.o.**
 Adresse: **Bydgoskich Przemysłowców 10**
 Telefonnummer: **+ 48 52 364 11 60**

9. TECHNISCHE DATEN

Gaskategorie		I3P			I3B/P			I3+	
Referenzgas		G31			G30			G30	G31
Gasdruck	[mbar]	30	37	50	30	37	50	28-30	37
Hauptbrennerdüse	[mm]	1,4			1,4			1,4	
Gasverbrauch	[kg/h]	0,5	0,55	0,65	0,5	0,55	0,65	0,5	0,55
Anschluss Netto	[kW]	6,4	7	8,3	6,4	7,8	9,1	7,4	7,4
Nennwärmeleistung (Hs)	[kW]	7	7,7	9,0	8	8,5	10	8	8
Sicherheitsmodul	Thermocouple								
Gasventil	BS190								
Flexibler Schlauch (4 m)	Ø9mm								

VERKÄUFER	
Name:	Siegel und Unterschrift des Verkäufers
Adresse:	
Tel/Fax:	
Verkaufsdatum:	
KÄUFER	
Name:	
Adresse:	
Tel/Fax:	
Kaufdatum:	
<p>Das Gerät muss von einem zertifizierten und qualifizierten Spezialist installiert werden, der über alle nach dem lokalen Recht erforderliche Qualifikationen verfügt. Außerdem soll das Gerät gemäß der in der Bedienungs- und Montageanleitung enthaltenen Anweisungen installiert werden.</p>	
<p>Hiermit erkläre ich, dass ich die Bedienungsanleitung und die Garantiebedingungen gelesen habe.</p>	
<p style="text-align: center;">Datum und lesbare Unterschrift des Käufers</p>	
INSTALLATEUR	
Name:	
Adresse:	
Tel/Fax:	
Datum der Inbetriebnahme:	
<p>Hiermit erkläre ich, dass die von meinem Unternehmen installierte Feuerstelle gemäß den geltenden Bauvorschriften und den in der Bedienungs- und Montageanleitung enthaltenen Anweisungen installiert wurde. Das installierte Gerät ist betriebsbereit.</p>	
<p style="text-align: center;">Siegel und Unterschrift des Installateurs</p>	

ES OBLIGATORIO LEER Y CONSERVAR ESTE MANUAL DE INSTRUCCIONES.

ÍNDICE DE CONTENIDOS

1.	INTRODUCCIÓN.....	32
2.	INSTRUCCIONES DE SEGURIDAD.....	32
2.1	Instrucciones de seguridad sobre el uso de las bombonas de gas.....	33
3.	INSTALACIÓN.....	34
3.1.	Contenido de la caja.....	34
3.2.	Desembalaje e instalación.....	34
3.3.	Instalación de mamparas de cristal y patas ajustables.....	35
3.4.	Montaje de la bombona de gas (sólo versión GPL).....	35
3.5.	Instalación de la conexión de gas.....	36
3.5.1.	Conexión y sustitución de la bombona de gas (versión GPL).....	36
3.5.2.	Sustitución del regulador.....	39
4.	INSTRUCCIONES DE USO.....	40
4.1.	Notas generales.....	40
4.2.	Puesta en marcha del dispositivo.....	40
4.3.	Regulación del tamaño de la llama.....	41
4.4.	Apagado del dispositivo.....	41
5.	PRUEBA.....	42
5.1.	Comprobación de fugas de gas.....	42
5.2.	Comprobación del aspecto de la llama.....	42
6.	MANTENIMIENTO Y CONSERVACIÓN.....	43
6.1.	Pruebas y limpieza.....	43
6.2.	Limpieza de cristales.....	43
7.	SOLUCIÓN DE PROBLEMAS.....	43
8.	DATOS DE CONTACTO DEL VENDEDOR.....	44
9.	ESPECIFICACIÓN TÉCNICA.....	44

1. INTRODUCCIÓN

La chimenea Square es un aparato decorativo de gas con efecto de combustible destinado únicamente a su uso en el exterior. Es obligatorio familiarizarse con el siguiente manual de instalación y el manual de usuario antes de comprometerse con la instalación y el uso de la chimenea The Square. Este manual debe guardarse durante toda la vida útil del aparato.

ADVERTENCIA El aparato debe ser instalado por un instalador certificado y cualificado como especialista en calefacción de gas y debe tener todas las calificaciones requeridas por la legislación local. El incumplimiento de esta condición puede suponer la anulación de la garantía.

2. INSTRUCCIONES DE SEGURIDAD

- Lea las instrucciones antes de utilizar el aparato.
- Utilizar sólo en el exterior.
- La chimenea Square debe ser instalada y controlada anualmente de acuerdo con el manual de instalación que figura a continuación, así como con las leyes nacionales y locales vigentes en materia de seguridad del gas (instalación y uso).
- Hay que evaluar si los datos de la placa del producto se ajustan al tipo de gas y a la presión locales.
- No cambie la estructura del aparato o sus elementos sellados ni modifique los ajustes por defecto de la chimenea The Square.
- No coloque más bloques de imitación ni fragmentos de carbón incandescente en el quemador o en la cámara de combustión.
- Es necesario colocar un extintor de CO₂ o de polvo cerca del dispositivo.
- Durante el primer encendido La chimenea cuadrada necesita ser quemada al máximo nivel durante unas horas para que los elementos adquieran la temperatura correcta y para que los restos de pintura, laca y lubricante se evaporen.
- No mueva el aparato mientras esté funcionando.
- Square ha sido diseñado con fines decorativos. La superficie de la chimenea Square, incluyendo las pantallas de cristal, puede calentarse (hasta 100 grados Celsius), a excepción de las paredes laterales del aparato y el panel de control. **¡¡¡ADVERTENCIA!!!** Las partes del aparato que son fáciles de alcanzar pueden estar muy calientes. Mantenga a los niños alejados del aparato.
- Los paneles de vidrio deben ser instalados cuando Square está en uso.
- Este aparato debe mantenerse alejado de materiales inflamables durante su uso. No coloque ningún material combustible a una distancia de 1 m de Square y 2 m sobre el aparato (Fig. 1).

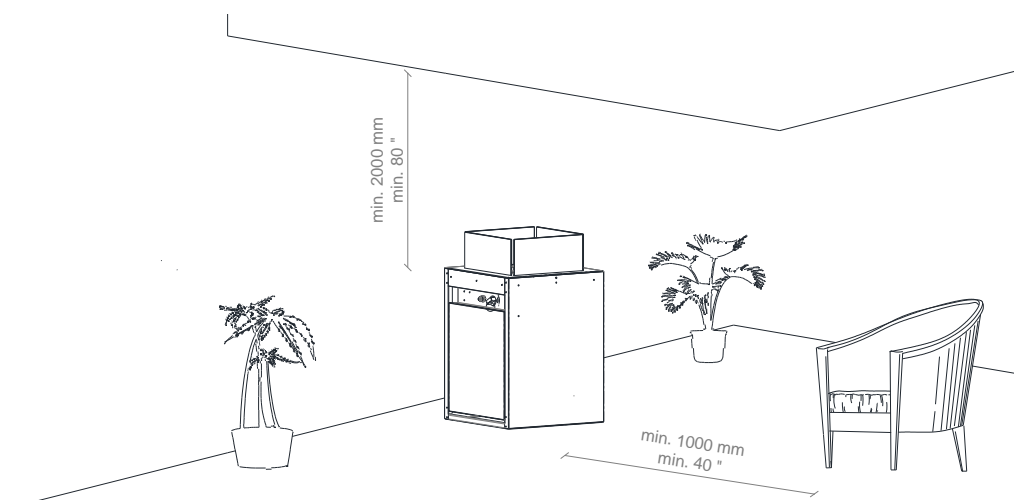


Fig. 1: Distancia mínima a materiales inflamables

- Cuando la chimenea de The Square está encendida no debe estar expuesta a la lluvia.

- Cuando no se utilice, el Square debe estar protegido de las condiciones atmosféricas y la válvula principal de la bombona de gas debe estar cerrada.
- Si The Square no se utiliza durante un periodo de tiempo prolongado (por ejemplo, en invierno), le aconsejamos que lo guarde en el interior.
- Las piezas de la chimenea Square están hechas de material resistente a las manchas.
- No deje nunca una plaza encendida sin supervisión.
- La chimenea Square debe instalarse en un lugar inaccesible para los niños, las personas no autorizadas o los animales para que sea imposible el contacto directo con la llama o las partes calientes del aparato.
- En caso de viento fuerte, la chimenea Square debe ser apagada inmediatamente y hay que esperar hasta que pase el viento fuerte.
- En caso de notar cualquier tipo de fuga de gas, es necesario cerrar la chimenea y la válvula principal de la bombona de gas.
- Después del uso, cierre la válvula de la bombona de gas.

2.1 Instrucciones de seguridad sobre el uso de las bombonas de gas.

- Utilice únicamente el tipo de gas y la presión especificados por el fabricante.
- Las bombonas de gas deben colocarse siempre en posición vertical - durante su uso y transporte.
- Guarde siempre la bombona de gas en un lugar de fácil acceso que permita su cierre inmediato.
- Durante el proceso de instalación no permita que una llama abierta o cualquier objeto encendido llegue a la bombona de gas.
- La bombona de gas debe estar a una distancia no inferior a 1,5 metros de la chimenea The Square o de acuerdo con la normativa local.
- Las fugas deben encontrarse con el uso de un líquido limpiador y agua. Si se forman burbujas en la superficie, significa que hay una fuga.
- Utilice siempre un regulador de presión entre la botella de gas y el aparato. Sustituya el regulador de presión cada 5 años. Las presiones permitidas son: 30mbar, 37mbar (recomendado), 50 mbar. Utilice únicamente reguladores que cumplan la norma europea EN16129.
- Utilizar únicamente el enganche de conexión de gas homologado y certificado. Sustituya la conexión cada 2 años.
- La conexión elástica que conecta el gas a la chimenea debe estar alejada de bordes afilados y superficies calientes. Absténgase de doblar y torcer la conexión elástica en toda su longitud.
- Recuerde que la botella de GLP debe almacenarse en un lugar bien ventilado. El gas GLP es más pesado que el aire y su acumulación cerca de la superficie inferior puede generar una mezcla explosiva.
- La carcasa en la que se coloca (opcionalmente) la botella de GLP debe tener una ventilación adecuada. La carcasa debe tener una ranura de ventilación superior sobre la parte superior de la botella (de una superficie mínima de 1/100 de la superficie de la base de la carcasa) y una ranura de ventilación inferior (de una superficie mínima de 1/50 de la superficie de la base de la carcasa).
- La bombona de gas debe cerrarse si no se utiliza la chimenea.
- El llenado de las bombonas de gas se encargará a estaciones de servicio certificadas.
- La sustitución de las botellas vacías por otras llenas debe realizarse únicamente en lugares autorizados

3. INSTALACIÓN

3.1. Contenido de la caja

- 1x chimenea de gas cuadrada completa
- 4x Pantalla de cristal templado
- 4x patas ajustables
- 1x Pilas AAA (colocadas debajo del botón de encendido)
- 1x caja de piedras decorativas
- 1x 4 metros de goma de la conexión de gas - instalado
- 1x regulador de presión (37mbar) - instalado
- 1 manual de instalación y manual de usuario

3.2. Desembalaje e instalación

- El contenido de las cajas debe ser desenvuelto cuidadosamente de la lámina de espuma.
- Retire las bolsas con piedras decorativas del depósito del quemador y colóquelas lejos de él.
- Retire la espuma de poliestireno colocada en la unidad.
- Levante con cuidado el aparato y saque el protector de vidrio envuelto en cartón del interior de The Square.
- Compruebe la integridad de los elementos con la lista de contenidos.
- Asegúrese de que el aparato ni sus elementos no se han dañado durante el transporte (si es así, notifíquelo al proveedor).
- Coloque la plaza en una superficie plana y pavimentada en el exterior del edificio, preferiblemente en el lugar de la instalación final. Deje espacio suficiente en el lado del aparato donde se encuentra el panel de control (mínimo 1 m).
- Las piedras decorativas deben esparcirse uniformemente alrededor del depósito para cubrir completamente el quemador de la chimenea.



Fig. 2 -Detalle de los elementos de ignición de la Cuadratura

- Instale con cuidado las protecciones laterales de los cristales (Ver punto 3.3).
- Si todos los puntos se han completado de acuerdo con las instrucciones, la botella de gas se puede conectar ahora

3.3. Instalación de mamparas de cristal y patas ajustables

- Retire con cuidado el cartón y la lámina de espuma de las pantallas de cristal.
- Elimine todas las contaminaciones de los escudos de vidrio que podrían quemarse en el vidrio durante el funcionamiento de The Square (en particular, las huellas dactilares).
- Instale los protectores de vidrio y las patas ajustables en las ranuras correspondientes del aparato, como se muestra a continuación
- Retire el protector de vidrio sólo en caso de que se dañe el vidrio.

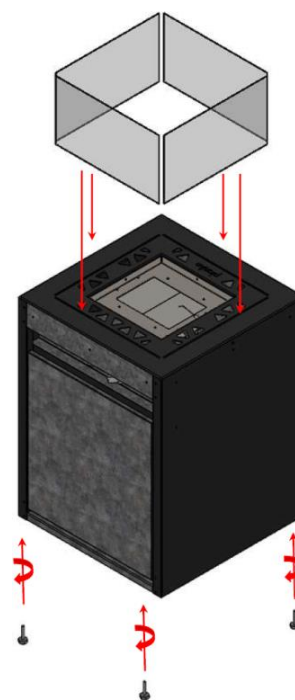


Fig.3 - Instalación del vidrio

3.4. Montaje de la bombona de gas (sólo versión GPL)

- La conexión de gas que se adjunta al dispositivo permite colocar la botella de gas a una distancia máxima de 3 metros del panel de control conectado, pero no puede colocarse a menos de 1,5 metros del dispositivo. Puede seguir las regulaciones locales si se requiere una distancia diferente. Se puede conectar una botella de gas más pequeña y colocarla dentro del aparato. Antes de utilizarla, compare el tamaño de la bombona con el **espacio disponible en el aparato**.

Cilindro de gas fuera del dispositivo	Cilindro de gas dentro del dispositivo (El espacio disponible en el interior del aparato es de 450x420 x460mm – D x W x H)

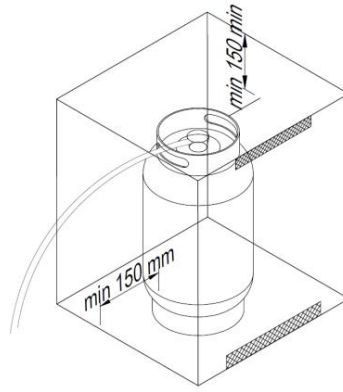


Fig.4 - Carcasa de la bombona de gas

- La carcasa opcional para la botella de gas no puede ser hermética y tiene que estar correctamente ventilada. La carcasa debe tener una ranura de ventilación superior sobre la parte superior de la botella (de una superficie mínima de 1/100 de la superficie de la base de la carcasa) y una ranura de ventilación inferior (de una superficie mínima de 1/50 de la superficie de la base de la carcasa). Las dimensiones de la carcasa pueden variar para acomodar diferentes tipos y dimensiones de las botellas de gas, pero también deben ser suficientes para una instalación sin problemas de la botella de gas.

3.5. Instalación de la conexión de gas

!!!ADVERTENCIA!!! El montaje y el mantenimiento deben ser realizados por un profesional cualificado, una empresa o el proveedor de gas.

Antes de proceder a la conexión de la bombona de gas a la chimenea es necesario que ya se hayan realizado todas las actividades relativas a la correcta colocación e instalación de La Plaza. Coloque el enlace de gas lejos de los bordes calientes o afilados y asegúrese de que no está torcido.

3.5.1. Conexión y sustitución de la bombona de gas (versión GPL)

El Square se suministra junto con un enlace de gas elástico que, en un extremo, se conecta a la válvula del dispositivo y, en el otro, al regulador de gas, listo para ser conectado a la botella de gas.

Tipo de reductor de presión	País	Tipo de conexión	Diámetro de entrada	Salida
Type A	FR, UK, IE	Clip On	27 mm	G1/4"-LH
Type B	ES, DK, NO, FI, EE, PT, CY	Clip On	35 mm	G1/4"-LH
Type C	PL, DE, LT, AL, BE, CZ, SK, SI, LV, HR, CH, UA, RS, MK, BiH	Twist On	23 mm	G1/4"-LH
Type D	IT, GR	Twist On	20 mm	G1/4"-LH

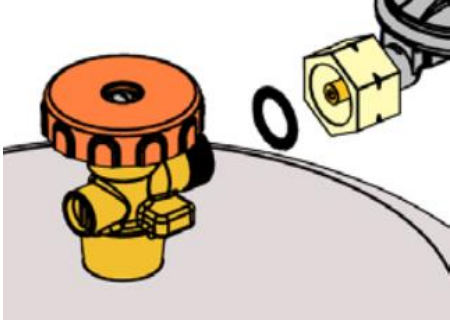
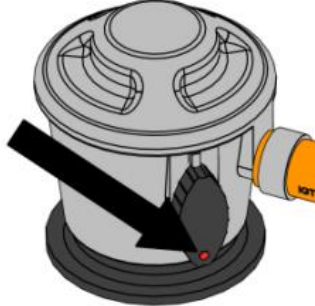

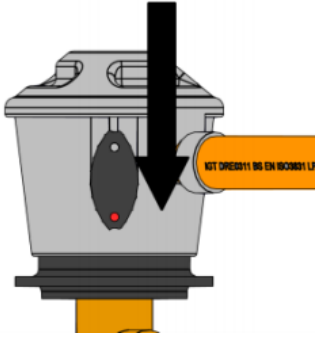

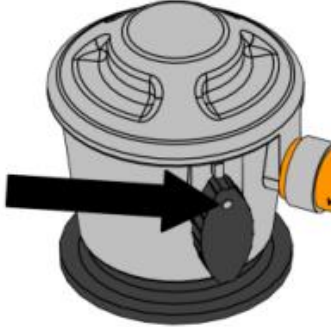
Si su cilindro de gas tiene un tamaño de entrada diferente o requiere un regulador diferente, sustituya el regulador incluido por el requerido (disponible por separado en su mercado local)

!!!ADVERTENCIA!!! NUNCA utilice una conexión de gas inestable o un regulador para otra presión de gas.

Las bombonas de gas tienen dos tipos de conectores:

- Conexión por giro: Lo más importante es la junta negra. Compruebe siempre que la junta está presente y que no se ha dañado durante la sustitución de la bombona de gas. Algunas conexiones tienen un pomo para fijarlas en su sitio mientras que otras requieren el uso de una llave. Apriete bien (rosca izquierda). Utilizando la herramienta, preste atención a no apretar demasiado la conexión, ya que podría dañar la junta.
- Cierre rápido: Para este tipo de conexión no se necesita ninguna herramienta. La regulación de encendido y apagado de la conexión de gas se realiza a través de un interruptor en el regulador o en un conector especial. En caso de utilizar un conector con un regulador de rosca de un tipo antiguo, haga especial hincapié en comprobar si la tuerca de conexión está bien apretada con la ayuda de una llave.

Conexión de la bombona de gas


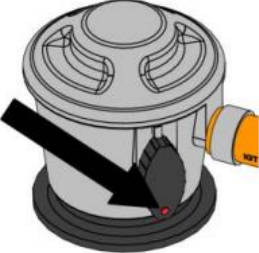

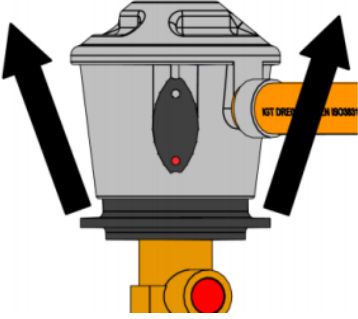
Conexión Twist-on	Cierre rápido
<ol style="list-style-type: none">1. Compruebe si la válvula de la botella está CERRADA girándola en el sentido de las agujas del reloj2. Retire la punta de protección y guárdela para su uso posterior.	<ol style="list-style-type: none">1. Retire la punta de protección. No utilice ninguna herramienta, deje la punta colgando libremente.
<ol style="list-style-type: none">3. Antes de realizar la conexión, compruebe que la junta negra no está dañada. 	<ol style="list-style-type: none">2. Asegúrese de que todos los grifos del dispositivo de gas están cerrados y de que el interruptor está en la posición OFF. 
<ol style="list-style-type: none">4. Ajuste la tuerca de conexión a la botella con el uso de una llave correcta o el pomo de conexión. (rosca izquierda) No permita que los conectores de las botellas de gas queden demasiado apretados. 	<ol style="list-style-type: none">3. Coloque el regulador de cierre rápido en la válvula y presiónelo con fuerza. Si el interruptor está correctamente apagado, oirá un clic característico. 
<ol style="list-style-type: none">5. Cuando el flujo de gas sea necesario, gire la válvula de la botella en sentido contrario a las agujas del reloj. 	<ol style="list-style-type: none">4. Para dejar entrar el gas gire el interruptor a la posición ON (o a la imagen de la llama). 

- Coloque la botella de gas a una distancia correcta de la chimenea (mínimo 1,5 metros de distancia).

¡¡¡ADVERTENCIA!!! Compruebe que no hay fugas en la conexión de gas. Si algo sugiere que hay una fuga (por ejemplo, un olor característico a gas) cierre la válvula de la botella de gas y no encienda en ningún caso el aparato antes de eliminar la fuga. (Véase el punto 5.1).

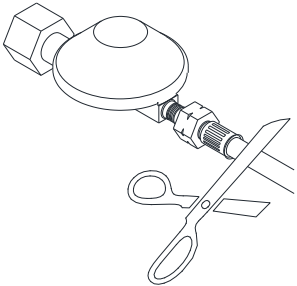
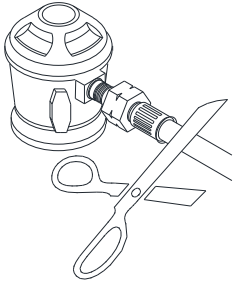
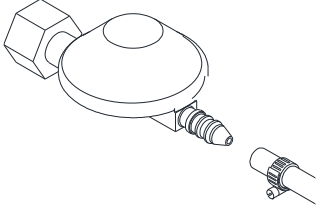
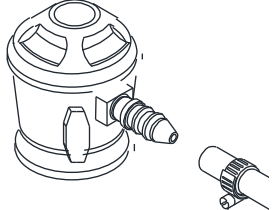
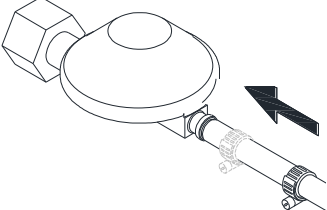
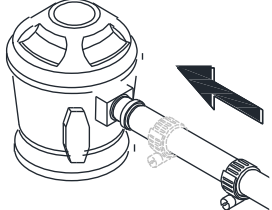
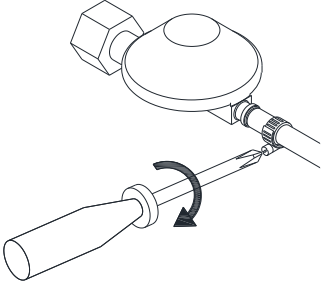
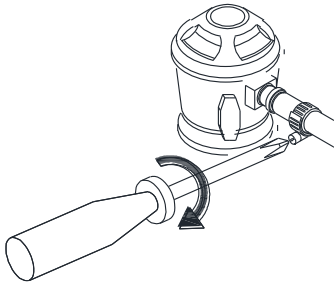
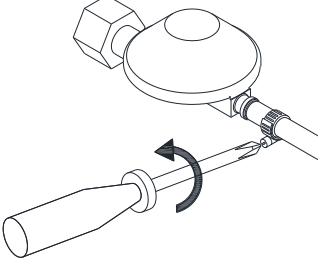
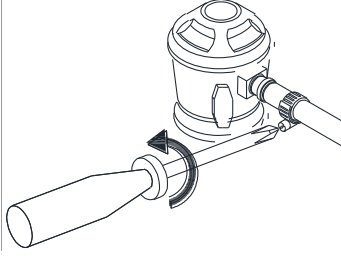
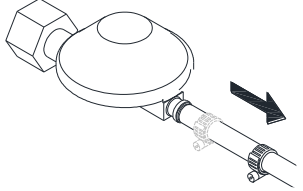
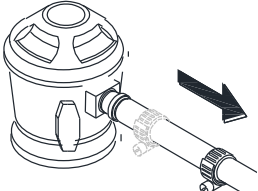
- Después de eliminar la fuga, se puede volver a abrir la válvula de la botella de gas.

Desconexión de la bombona de gas

Conexión Twist-on	Cierre rápido
1. Apague el cuadrado - póngalo en la posición de apagado. El quemador principal y el piloto deben estar apagados.	2. Ponga el interruptor en la posición OFF.
2. Gire la válvula de la botella a la posición OFF (en el sentido de las agujas del reloj). 	
3. NUNCA desmonte el regulador (o la tuerca de conexión) cuando la válvula de la botella esté abierta. 4. DESMONTE el regulador (o la tuerca de conexión) con el uso de una llave inglesa o un pomo de conexión. 	3. Saque el regulador de cierre rápido pulsando el interruptor horizontalmente y tirando al mismo tiempo de todo el regulador hacia arriba. 
5. REEMPLAZAR el cierre o el tapón de la botella vacía o parcialmente llena si no se está utilizando.	4. SUSTITUYA el tapón de cierre de una botella vacía o parcialmente llena si no se está utilizando.

3.5.2. Sustitución del regulador

1. Siempre hay que utilizar un regulador de presión entre la botella de gas y el aparato. Sustituya el regulador de presión cada 5 años. Presiones permitidas: 30 mbar, 37 mbar (recomendado), 50 mbar. Utilice únicamente los reguladores que cumplan la norma europea EN16129.
2. Apague el cuadrado - la posición "OFF". Es necesario apagar el quemador principal.
3. Desconecte el regulador de la botella de gas (descripción anterior).

	Conexión Twist-on	Cierre rápido
4. Corte el reductor de presión conectado o vaya al paso 4.1. si tiene un reductor de presión con conexión de abrazadera.		
5. Sustituya el regulador por uno nuevo con conexión de abrazadera fijando el nuevo enlace en el muñón del regulador.		
6. Mueva la abrazadera en el talón		
7. Apriete la abrazadera con un destornillador (philips) o una llave plana. ADVERTENCIA En caso de daños visibles en la abrazadera, sustitúyala por una nueva.		
	Conexión Twist-on	Cierre rápido
4.1. Afloje la abrazadera metálica con un destornillador (philips) o una llave plana.		
4.2. Alejar la abrazadera de la boquilla del regulador de gas y pasar al paso 5		

4. INSTRUCCIONES DE USO

4.1. Notas generales

La chimenea Square dispone de una válvula de control con encendido incorporado para el quemador principal (sin llama piloto). La altura de la llama del quemador principal puede regularse adecuadamente girando el mando. Al lado del mando se encuentra el botón de encendido electivo (alimentado por una pila AAA). El panel de control está situado en uno de los lados más cortos de la base de la chimenea.



Fig.5 - Pomo de control

4.2. Puesta en marcha del dispositivo

- Asegúrese de que el mando está colocado en la posición "OFF" (en el sentido de las agujas del reloj).

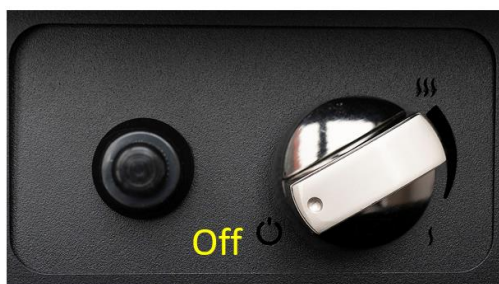


Fig.6 - Posición de apagado

- Abra la válvula de la bombona de gas.
- Pulse el mando y, sin dejar de pulsarlo, gírelo en sentido contrario a las agujas del reloj desde la posición (1) a la posición (2)



Fig.7 - Encendido del aparato

- Manteniendo el mando pulsado, encienda la llama pulsando el botón de encendido (3).



Fig.8 - Secuencia de encendido

- Aparecerá una chispa que encenderá el quemador principal a la altura mínima de la llama. Si la llama no se enciende, repita este proceso 2-3 veces. Esto será necesario especialmente cuando haya sustituido e instalado una nueva bombona de gas GLP.
- Cuando se encienda la llama, mantenga el mando durante unos 5 segundos hasta que se caliente el termopar, que mantendrá la válvula principal en posición abierta.
- Ahora puede soltar el mando. Sin embargo, si la llama se apaga, repita el proceso una vez más hasta conseguir una llama estable.

¡¡¡ATENCIÓN!!! Después de 2-3 intentos fallidos termine y compruebe las conexiones. Inténtelo de nuevo en 10 minutos. Si la botella de gas instalada es nueva o la chimenea no se ha utilizado durante un tiempo más largo lo primero que hay que hacer es liberar el aire de la conexión de gas. En este caso será necesario realizar algunos intentos hasta que la llama se encienda.

4.3. Regulación del tamaño de la llama

- Cuando la llama está ardiendo, la altura deseada de la llama puede ajustarse y regularse girando el pomo en el sentido de las agujas del reloj o en sentido contrario.
- Para conseguir una llama más alta, gire el mando en el sentido de las agujas del reloj hasta la posición "Hi". Para conseguir una llama más baja, gire el mando en sentido contrario a las agujas del reloj hasta la posición "Lo" (Fig. 9).



Fig.9 - Regulación de la llama

4.4. Apagado del dispositivo

- Para apagar el aparato, pulse y gire simultáneamente el mando en el sentido de las agujas del reloj. El suministro de gas se cortará y la llama del quemador se apagará.

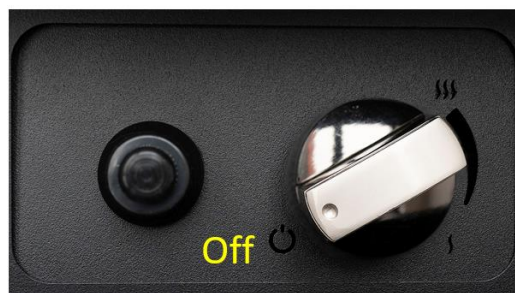


Fig.10 - Apagado del aparato

- Además, cierre también la válvula de la bombona de gas

4.5. Sustitución de la batería

Si la pila se introduce de forma incorrecta, el encendedor electrónico puede sufrir daños irreparables. Cambie la pila sólo cuando el aparato esté completamente apagado.

La batería se coloca en el contenedor situado en el panel de control junto al mando de regulación de la llama

- Desenroscar el botón de encendido
- Retire la batería y coloque la nueva en la ranura.

ADVERTENCIA Recuerde sobre la correcta polarización de la batería.

- Atornille la tapa del contenedor de pilas.

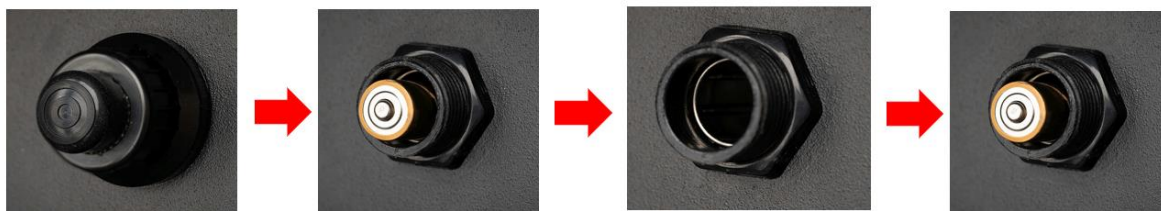


Fig.11 - Sustitución de las pilas

5. PRUEBA

!!!ADVERTENCIA!!! NO ENCIENDA NUNCA EL APARATO SI SE PERCIBE EL OLOR CARACTERÍSTICO DEL GAS.

Si huele a gas durante el funcionamiento de la chimenea, apague inmediatamente el aparato y corte el suministro de gas de la bombona cerrando su válvula.

5.1. Comprobación de fugas de gas.

- Compruebe si todas las conexiones son herméticas.
- Para ello, aplique todas las conexiones con agua jabonosa (o agua con otra sustancia espumosa) o con un spray profesional para la detección de fugas.
- Si hay burbujas de aire, significa que la conexión tiene una fuga.
- Eliminar las fugas en los espacios identificados.
- Compruebe una vez más si hay fugas.
- Después de la inspección, secar las conexiones inspeccionadas.
- El dispositivo sólo puede volver a utilizarse cuando se hayan eliminado todas las fugas.
- **Si el problema se repite, póngase en contacto con el distribuidor.**

5.2. Comprobación del aspecto de la llama.

- Quemar el cuadrado en la altura máxima de la llama y comprobar el aspecto de la llama.
- La llama debe ser lineal y uniforme en toda la longitud del quemador principal.
- Si hay huecos visibles o hay diferencias sustanciales en la altura de la llama, apague la chimenea y, después de que el aparato se enfríe, ajuste la colocación de las piedras decorativas de manera que queden uniformemente colocadas en toda la superficie del quemador principal.
- Encienda la chimenea y compruebe de nuevo el aspecto de la llama.

6. MANTENIMIENTO Y CONSERVACIÓN

6.1. Pruebas y limpieza

Por favor, compruebe y limpie si es necesario:

- El quemador principal - si es necesario, eliminar las partes rotas de las piedras y el polvo existente.
- Termo-acoplamiento (si es necesario, retire los sedimentos existentes). En caso de daños visibles, póngase en contacto con su distribuidor.
- Pantallas de cristal: compruebe si hay manchas de suciedad o posibles arañazos o grietas. Si hay grietas, sustituya la pantalla de cristal por una nueva. Para ello, póngase en contacto con su distribuidor.
- El enlace de gas y el regulador de presión (en caso de que su fecha de caducidad no sea válida, sustituya estos accesorios por otros nuevos).
- Si tiene problemas con el regulador, la conexión de gas, el quemador o las válvulas de regulación, no intente reparar estas piezas. Póngase en contacto con un vendedor, un servicio técnico autorizado o un importador para adquirir piezas de recambio. Para garantizar un funcionamiento eficaz del aparato, utilice únicamente piezas de recambio originales.

6.2. Limpieza de cristales

La mayoría de las manchas existentes pueden limpiarse con un paño seco. En caso de manchas más importantes, puede utilizar los líquidos que se aplican normalmente a las baldosas de cerámica o a las ventanas. Seque siempre la pantalla de cristal para evitar manchas de humedad que podrían incrustarse irreversiblemente en el cristal.

!!!ADVERTENCIA!!! Evite dejar huellas dactilares en el cristal. Quedarán incrustadas en el cristal y no podrá limpiarlas.

7. SOLUCIÓN DE PROBLEMAS

¡Atención! El montaje, el mantenimiento y el servicio deben ser realizados por un profesional con la cualificación adecuada, por una empresa apropiada o por el proveedor de gas.

PROBLEMA	POSIBLE CAUSA	ACCIÓN CORRECTIVA
OLOR A GAS	CIERRE INMEDIATAMENTE LA VÁLVULA DE LA BOMBONA DE GAS. NO UTILICE EL APARATO HASTA QUE SE HAYAN ELIMINADO LAS FUGAS.	
Fuga detectada en el cilindro, regulador u otra conexión.	<ol style="list-style-type: none"> 1. Una conexión del regulador floja. 2. Fuga en la conexión de gas, en el regulador o en los mandos de gas. 	<ol style="list-style-type: none"> 1. Apriete y pruebe. 2. Comunique este problema al servicio técnico.
El quemador no se enciende	<ol style="list-style-type: none"> 1. La botella está vacía. 2. La conexión del encendedor no está conectada. 3. No hay chispa de encendido. 4. El electrodo de encendido está mal colocado frente al encendedor. 5. Las boquillas de gas están bloqueadas. 6. El enganche de gas está torcido. 7. La conexión del regulador de presión está suelta. 	<ol style="list-style-type: none"> 1. Sustituya el cilindro de gas. 2. Conecte la conexión del encendedor. 3. Sustituya el encendedor. 4. Vuelva a alinear el electrodo y elimine los residuos de la zona. 5. Desmontar el quemador, limpiar la boquilla. 6. Enderece el varillaje. Mantenga el varillaje alejado de la carcasa. 7. Apriete el eslabón. Compruebe si hay fugas.
El encendedor no funciona	<ol style="list-style-type: none"> 1. El cable de encendido no está conectado. 2. Electrodo mal alineado en el quemador piloto 3. Mal funcionamiento del encendedor 4. La batería se ha agotado 	<ol style="list-style-type: none"> 1. Asegúrese de que el cable del electrodo piloto está conectado. 2. Vuelva a alinear el electrodo y elimine los residuos de la zona. 3. Sustituir el encendedor 4. Sustituir la batería
Baja eficiencia, sonidos de "chasquido"	<ol style="list-style-type: none"> 1. La botella está vacía. 2. Las boquillas del quemador están bloqueadas. 	<ol style="list-style-type: none"> 1. Sustituya el cilindro de gas. 2. Desmontar el quemador, limpiar la boquilla.
Sonidos de golpes producidos por el regulador.	La válvula del cilindro se ha abierto rápidamente.	Afloje la válvula de la botella lentamente.
Una llama viva/anaranjada y ahumada del quemador.	Agujeros bloqueados en el aparato que produce la mezcla de gas y aire.	Desmonte el quemador y limpie/desbloquee los orificios del aparato.

8. DATOS DE CONTACTO DEL VENDEDOR

Vendedor: Planika Sp. z o.o.
 Dirección: Bydgoskich Przemysłowców 10
 Número de teléfono: + 48 52 364 11 60

9. ESPECIFICACIÓN TÉCNICA

Categoría de aplicación		I3P			I3B/P			I3+	
Gas de referencia		G31			G30			G30	G31
Presión de entrada	[mbar]	30	37	50	30	37	50	28-30	37
Diámetro del inyector	[mm]	1,4			1,4			1,4	
Consumo de gas	[kg/h]	0,5	0,55	0,65	0,5	0,55	0,65	0,5	0,55
Entrada de calor nominal (Hi)	[kW]	6,4	7	8,3	6,4	7,8	9,1	7,4	7,4
Entrada de calor nominal (Hs)	[kW]	7	7,7	9,0	8	8,5	10	8	8
Dispositivo de seguridad	Termopar								
Válvula de control de gas	BS190								
Manguera flexible (4m)	Ø9mm								

VENDEDOR	
Nombre:	Sello y firma del vendedor
Dirección:	
Tel/fax:	
Fecha de venta:	
COMPRADOR	
Nombre:	Sello y firma del comprador
Dirección:	
Tel/fax:	
Fecha de compra:	
La chimenea de gas debe ser instalada por un instalador cualificado de acuerdo con las normas nacionales de construcción aplicables y de acuerdo con las directrices contenidas en los manuales de instalación y del usuario.	
Declaro haber leído el Manual del Usuario y las Condiciones de Garantía.	
Fecha y firma legible del Comprador	
INSTALADOR	
Nombre:	Sello y firma del instalador
Dirección:	
Tel/fax:	
Fecha de puesta en marcha:	
Declaro que la chimenea de gas instalada por mi empresa ha sido instalada de acuerdo con las normas de construcción aplicables y de acuerdo con las directrices contenidas en los manuales de instalación y de uso. La chimenea de gas instalada está lista para funcionar de forma segura.	

IL EST OBLIGATOIRE DE LIRE ET DE CONSERVER CE MANUEL D'INSTRUCTIONS.

TABLE DES MATIÈRES

1. INTRODUCTION	46
2. INSTRUCTIONS DE SÉCURITÉ.....	46
2.1 Instructions de sécurité concernant l'utilisation des bouteilles de gaz.....	47
3. INSTALLATION	48
3.1. Contenu de la boîte.....	48
3.2. Déballage et installation	48
3.3. Installation d'écrans en verre et de pieds réglables	49
3.4. Montage de la bouteille à gaz (version GPL uniquement).....	49
3.5. Mise en place de la liaison gaz.....	50
3.5.1. Raccordement et remplacement de la bouteille de gaz (version GPL).....	50
3.5.2. Remplacement du régulateur	53
4. MODE D'EMPLOI	54
4.1. Notes générales	54
4.2. Démarrage de l'appareil.....	54
4.3. Réglage de la taille de la flamme	55
4.4. Arrêt de l'appareil	55
4.5. Remplacement des piles	56
5. EXAMEN	56
5.1. Recherche de fuites de gaz.	56
5.2. Vérification de la flamme apparence.....	56
6. MAINTENANCE ET ENTRETIEN	57
6.1. Examen et nettoyage	57
6.2. Le nettoyage des verres	57
7. DIAGNOSTIQUE DE PANNE	57
8. COORDONNÉES DU VENDEUR	58
9. CARACTÉRISTIQUES TECHNIQUES.....	58

1. INTRODUCTION

La cheminée Square est un appareil décoratif à gaz à effet combustible destiné uniquement à un usage extérieur. Il est obligatoire de prendre connaissance du manuel d'installation et du manuel d'utilisation ci-dessous avant de s'engager dans l'installation et l'utilisation de La cheminée Square. Ce manuel doit être conservé précieusement pendant toute la durée de vie de l'appareil.

ATTENTION ! L'appareil doit être installé par l'installateur qui est certifié et spécialiste qualifié en chauffage au gaz et doit avoir toutes les qualifications requises par la loi locale. Le non-respect de la condition ci-dessus peut entraîner l'annulation de la garantie.

2. INSTRUCTIONS DE SÉCURITÉ

- Lire les instructions avant d'utiliser l'appareil.
- Utiliser uniquement à l'extérieur.
- La cheminée Square doit être installée et contrôlée chaque année conformément au manuel d'installation ci-dessous ainsi qu'aux lois nationales et locales en vigueur concernant la sécurité du gaz (installation et utilisation).
- Il faut évaluer si les données de la plaque du produit sont conformes au type de gaz et à la pression locale.
- Ne changez pas la structure de l'appareil ou de ses éléments scellés et ne modifiez pas les paramètres par défaut de la cheminée Square.
- Ne posez pas de blocs d'imitation supplémentaires ni de fragments de charbon incandescent sur le brûleur ou dans la chambre de combustion.
- Un extincteur à CO₂ ou à poudre doit être placé à proximité de l'appareil.
- Lors du premier allumage, la cheminée Square doit être brûlée au niveau maximum pendant quelques heures afin que les éléments acquièrent une température correcte et que les restes de peinture, de laque et de lubrifiant s'évaporent.
- Ne déplacez pas l'appareil pendant qu'il fonctionne.
- Square a été conçu à des fins décoratives. La surface de la cheminée Square, y compris les écrans en verre, peut devenir chaude (jusqu'à 100 degrés Celsius), à l'exception des parois latérales de l'appareil et du panneau de commande. **ATTENTION !!!** Les parties de l'appareil qui sont faciles à atteindre peuvent être très chaudes. Tenez les enfants éloignés de l'appareil.
- Les panneaux de verre doivent être installés lorsque le Square est utilisé.
- Cet appareil doit être tenu à l'écart des matériaux inflammables pendant son utilisation. Ne placez aucun matériau combustible à une distance de 1 m du carré et de 2 m au-dessus de l'appareil (Fig. 1).

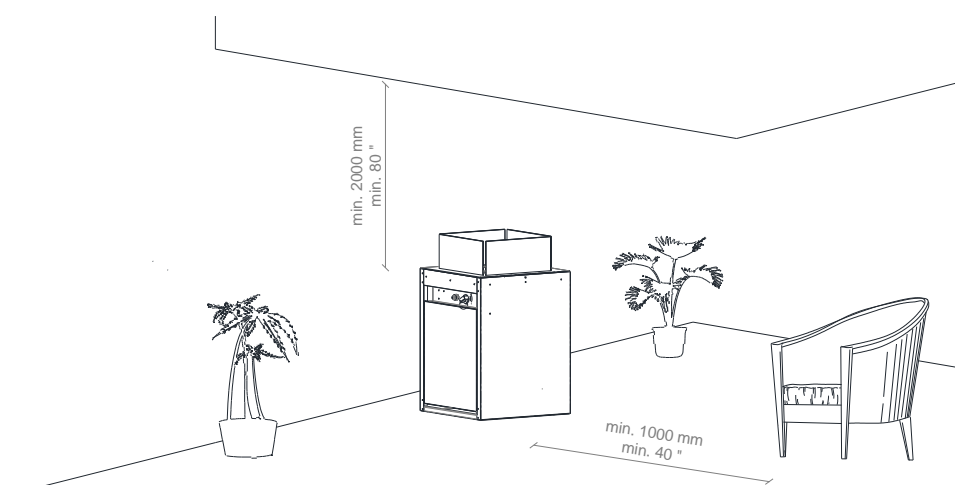


Fig. 1: Distance minimale par rapport aux matériaux inflammables

- Lorsque la cheminée Square est allumée, il ne doit pas être exposé à la pluie.
- Lorsque la Square n'est pas utilisée, il doit être protégé des conditions atmosphériques et la vanne principale de la bouteille de gaz doit être fermée.

- Si la Square n'est pas utilisé pendant une longue Carré du temps (par exemple en hiver), nous vous conseillons de le ranger à l'intérieur.
- Les pièces de la cheminée Square sont fabriquées dans un matériau résistant aux taches.
- Ne laissez jamais une personne allumée sur Square sans surveillance.
- La cheminée Square doit être installé dans un endroit inaccessible aux enfants, aux personnes non autorisées ou aux animaux pour que le contact direct avec la flamme ou les parties chaudes de l'appareil soit impossible.
- En cas de vent fort, la cheminée Square doit être immédiatement éteint et il faut attendre que le vent fort passe.
- Si vous constatez des fuites de gaz, il faut éteindre le foyer ainsi que la vanne principale de la bouteille de gaz.
- Après utilisation, fermez le robinet de la bouteille de gaz.

2.1 Instructions de sécurité concernant l'utilisation des bouteilles de gaz.

- N'utilisez que le type de gaz et la pression spécifiés par le fabricant.
- Les bouteilles de gaz doivent toujours être placées en position verticale - pendant l'utilisation et le transport.
- Stockez toujours la bouteille de gaz dans un endroit facilement accessible afin de pouvoir l'éteindre immédiatement.
- Pendant le processus d'installation, ne laissez pas une flamme nue ou un objet enflammé atteindre la bouteille de gaz.
- La bouteille de gaz doit être à une distance d'au moins 1,5 mètre de la cheminée Square ou conformément aux réglementations locales.
- Les fuites doivent être détectées à l'aide d'un liquide de nettoyage et d'eau. Si des bulles se forment à la surface, cela signifie qu'il y a une fuite existante.
- Utilisez toujours un régulateur de pression entre la bouteille de gaz et l'appareil. Remplacez le régulateur de pression tous les 5 ans. Les pressions autorisées sont : 30mbar, 37mbar (recommandé), 50 mbar. Utilisez uniquement des régulateurs conformes à la norme européenne EN16129.
- Utilisez uniquement une tringlerie de connexion de gaz approuvée et certifiée. Remplacer la tringlerie tous les 2 ans.
- La tringlerie élastique reliant le gaz au foyer doit être éloignée des arêtes vives et des surfaces chaudes. Abstenez-vous des coudes et des torsions de la connexion élastique sur toute sa longueur.
- N'oubliez pas que la bouteille de GPL doit être stockée dans un endroit bien ventilé. Le gaz GPL est plus lourd que l'air et son accumulation près de la surface inférieure peut générer un mélange explosif.
- Le boîtier dans lequel la bouteille de GPL est (facultativement) placée doit avoir une ventilation appropriée. Le boîtier doit avoir une fente de ventilation supérieure au-dessus du haut de la bouteille (d'une superficie d'au moins 1/100 de la surface de la base du boîtier) et une fente de ventilation inférieure (d'une superficie d'au moins 1/50 de la surface de la base du boîtier).
 - La bouteille de gaz doit être fermée si le foyer n'est pas utilisé.
 - Le remplissage des bouteilles de gaz doit être confié à des stations-service de gaz certifiées.
 - Le remplacement des bouteilles vides par des bouteilles pleines ne doit être effectué que dans des endroits autorisés

3. INSTALLATION

3.1. Contenu de la boîte

- 1 x cheminée à gaz Square complet
- 4 x Ecran en verre trempé
- 4 x pieds réglables
- 1 x piles AAA (placées sous le bouton d'allumage)
- 1 x boîte de pierres décoratives
- 1 x Liaison gaz caoutchouc de 4 mètres – installée
- 1 x régulateur de pression (37mbar) – installé
- 1 x manuel d'installation et manuel d'utilisation

3.2. Déballage et installation

- Le contenu des boîtes doit être soigneusement déballé de la feuille de mousse.
- Retirez les sacs avec les pierres décoratives du réservoir du brûleur et placez-les loin de celui-ci.
- Retirez la Mousse de polystyrène placée sur l'appareil.
- Soulevez soigneusement l'appareil et retirez le bouclier de verre enveloppé dans du carton de l'intérieur de la Square.
- Vérifiez l'intégralité des éléments avec la liste de contenu.
- Assurez-vous que l'appareil ou ses éléments n'ont pas été endommagés pendant le transport (s'ils l'ont été, informez-en le fournisseur).
- Placez Square sur une surface plane et pavée à l'extérieur du bâtiment, de préférence sur le lieu de l'installation finale. Laissez suffisamment d'espace sur le côté de l'appareil où se trouve le panneau de commande (minimum 1 m).
- Les pierres décoratives doivent être dispersées uniformément autour du réservoir pour couvrir complètement le brûleur de la cheminée.



Fig. 2 - SQUARE détail des éléments d'allumage

- Installez soigneusement les écrans latéraux en verre (voir point 3.3).
- Si tous les points ont été complétés conformément aux instructions, la bouteille de gaz peut maintenant être connectée

3.3. Installation d'écrans en verre et de pieds réglables

- Retirez soigneusement le carton et le papier mousse des écrans en verre.
- Retirez toutes les contaminations des écrans en verre qui pourraient brûler sur le verre pendant le fonctionnement de la Square (en particulier les empreintes digitales).
- Installez des boucliers en verre et des pieds réglables dans les fentes correspondantes de l'appareil comme indiqué ci-dessous
- Retirez la protection en verre uniquement en cas d'endommagement du verre.

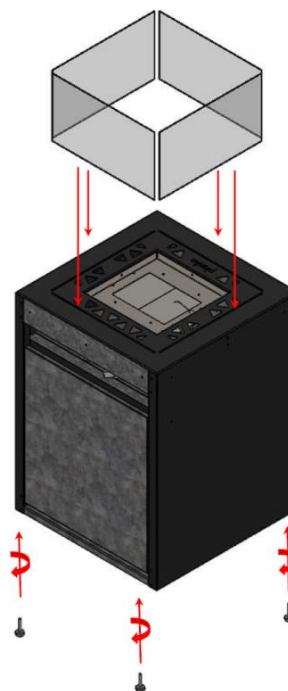


Fig. 3 – Installation du verre

3.4. Montage de la bouteille à gaz (version GPL uniquement)

- La liaison gaz attachée à l'appareil permet de placer la bouteille de gaz à une distance maximale de 3 mètres du panneau de commande connecté, mais elle ne peut pas être placée plus près de l'appareil que 1,5 mètres. Vous pouvez suivre la réglementation locale si elle fournit différentes exigences de distance. Une bouteille de gaz plus petite peut être connectée et placée à l'intérieur de l'appareil. Avant utilisation, comparez la taille du cylindre avec l' **espace disponible dans l'appareil**.

Bouteille de gaz à l'extérieur du dispositif	Bouteille à gaz à l'intérieur du dispositif (L'espace disponible à l'intérieur de l'appareil est de 450x420 x460mm – D x W x H)

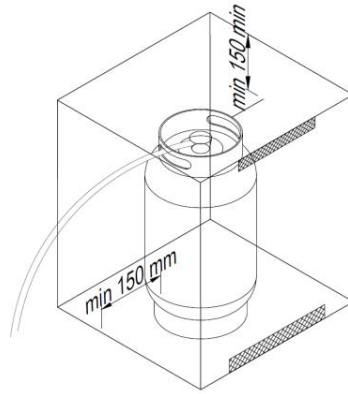


Fig. 4 – Boîtier pour bouteille de gaz

- Le boîtier optionnel de la bouteille de gaz ne peut pas être étanche à l'air et doit être correctement ventilé. Le boîtier doit avoir une fente de ventilation supérieure au-dessus du haut de la bouteille (d'une superficie d'au moins 1/100 de la surface de la base du boîtier) et une fente de ventilation inférieure (d'une superficie d'au moins 1/50 de la surface de la base du boîtier). Les dimensions du logement peuvent varier pour s'adapter à différents types et dimensions des bouteilles de gaz, mais elles doivent également être suffisantes pour une installation sans tracas de la bouteille de gaz.

3.5. Mise en place de la liaison gaz

ATTENTION !!! Le montage et l'entretien doivent être effectués par un professionnel qualifié, une entreprise ou le fournisseur de gaz.

Avant de procéder au raccordement de la bouteille de gaz au foyer, toutes les activités concernant le placement et l'installation corrects de la Square doivent déjà être effectuées. Placez la tringlerie de gaz loin des bords chauds ou tranchants et assurez-vous qu'elle n'est pas tordue.

3.5.1. Raccordement et remplacement de la bouteille de gaz (version GPL)

Le Square est fourni avec un lien élastique de gaz qui est connecté à une extrémité à la valve du dispositif et à l'autre extrémité au régulateur de gaz, prêt à être connecté à la bouteille de gaz.

Type de réducteur de pression	Pays	Type de raccordement	Diamètre d'entrée	Sortie
Type A	FR, UK, IE	Clip On	27 mm	G1/4"-LH
Type B	ES, DK, NO, FI, EE, PT, CY	Clip On	35 mm	G1/4"-LH
Type C	PL, DE, LT, AL, BE, CZ, SK, SI, LV, HR, CH, UA, RS, MK, BiH	Twist On	23 mm	G1/4"-LH
Type D	IT, GR	Twist On	20 mm	G1/4"-LH

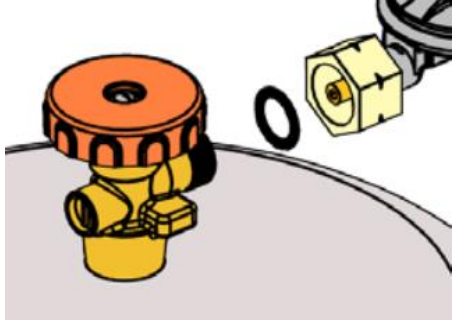
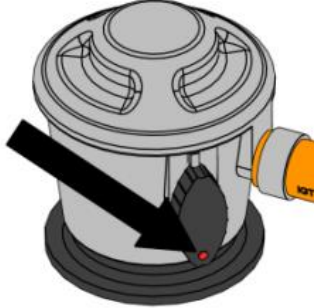

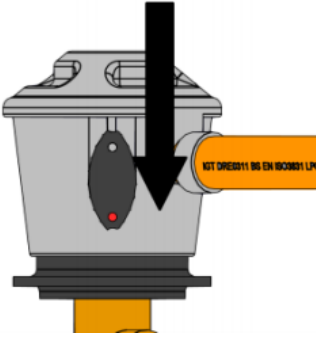

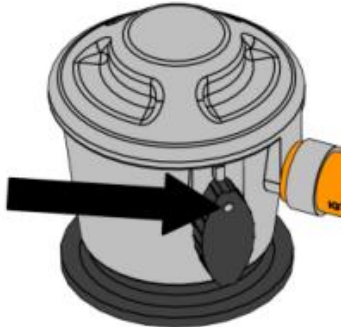
Si votre bouteille de gaz a une taille d'entrée différente ou nécessite un détendeur différent, remplacez le détendeur inclus par le détendeur requis (disponible séparément sur votre marché local).

ATTENTION !!! N'UTILISEZ JAMAIS un raccord de gaz instable ou un régulateur pour une autre pression de gaz.

Les bouteilles de gaz ont deux types de connecteurs

- Connexion Twist-on : La chose la plus importante est le joint noir. Vérifiez toujours si le joint est présent et s'il n'a pas été endommagé lors du remplacement de la bouteille de gaz. Certaines connexions ont un bouton pour les fixer en place tandis que d'autres nécessitent l'utilisation d'une clé. Bien serrer (filetage à gauche). À l'aide de l'outil, veillez à ne pas trop serrer la connexion car cela pourrait endommager le joint.
- Quick-release : Pour ce type de connexion, aucun outil n'est nécessaire. La régulation marche/arrêt de la connexion du gaz se fait par un interrupteur sur le régulateur ou sur un connecteur spécial. En cas d'utilisation d'un connecteur avec un régulateur de filetage d'un ancien type, veillez tout particulièrement à vérifier si l'écrou de connexion a été bien serré à l'aide d'une clé.

Raccordement bouteille de gaz

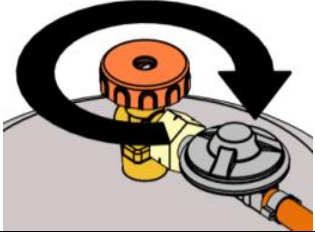
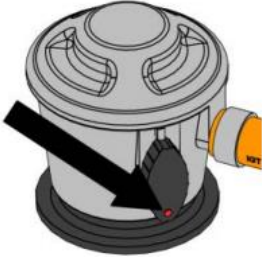

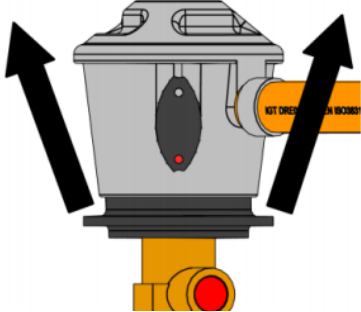
Connexion Twist-on	Libération rapide
<ol style="list-style-type: none">1. Vérifiez si la valve de la bouteille est FERMÉE en la tournant dans le sens des aiguilles d'une montre2. Retirez l'embout de protection et conservez-le pour une utilisation ultérieure.	<ol style="list-style-type: none">1. Retirer la pointe de protection. N'utilisez aucun outil, laissez la pointe pendre librement.
<ol style="list-style-type: none">3. Avant d'effectuer le raccordement, vérifiez si le joint noir n'est pas endommagé. 	<ol style="list-style-type: none">2. Assurez-vous que tous les robinets de l'appareil à gaz sont fermés et que l'interrupteur est en position OFF. 
<ol style="list-style-type: none">4. Montez l'écrou de connexion sur le cylindre à l'aide d'une clé appropriée ou du bouton de connexion. (filetage à gauche) Ne laissez pas les connecteurs de la bouteille de gaz être trop serrés. 	<ol style="list-style-type: none">3. Placez le régulateur à dégagement rapide sur la valve et appuyez fort dessus. Si l'interrupteur est correctement éteint, vous entendrez un clic caractéristique. 
<ol style="list-style-type: none">5. Lorsque le débit de gaz est requis, tournez la valve de la bouteille dans le sens inverse des aiguilles d'une montre. 	<ol style="list-style-type: none">4. Pour laisser le gaz s'écouler, tournez l'interrupteur en position ON (ou dans l'image de la flamme). 

- Placez la bouteille de gaz à une distance correcte de la cheminée (min 1,5 mètre).

ATTENTION !!! Vérifiez la connexion de gaz pour les fuites. Si quelque chose suggère la présence d'une fuite (par exemple une odeur de gaz caractéristique), fermez le robinet de la bouteille de gaz et n'allumez en aucun cas l'appareil avant d'avoir éliminé la fuite. (Voir point 5.1.).

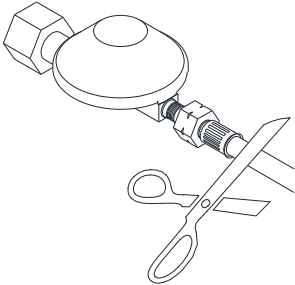
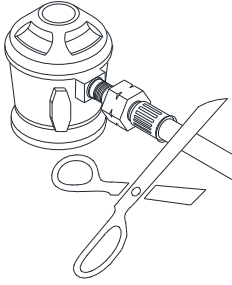
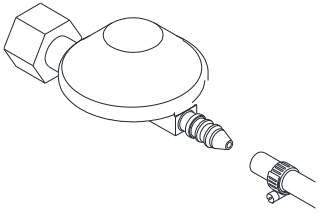
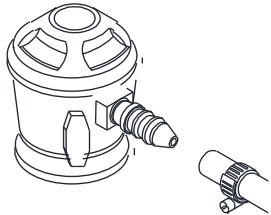
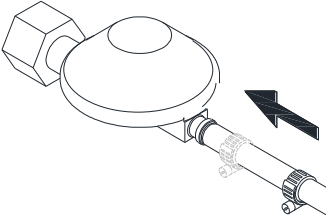
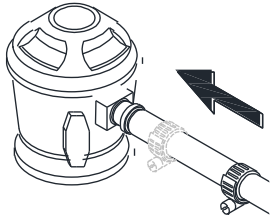
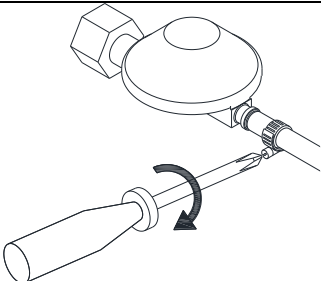
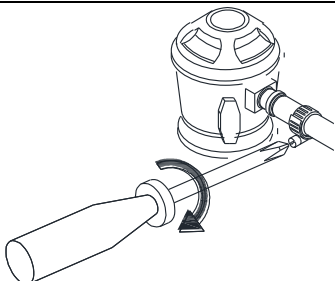
- Après avoir éliminé la fuite, il est possible de rouvrir le robinet de la bouteille de gaz.

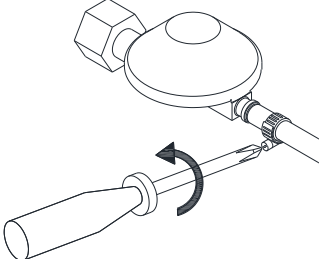
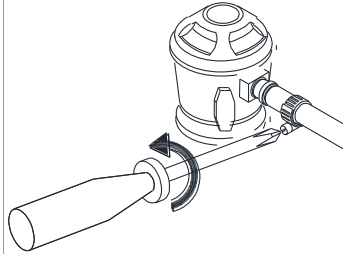
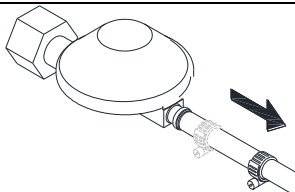
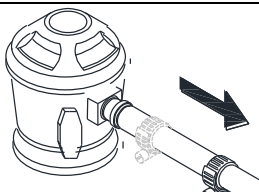
Déconnexion de la bouteille de gaz

Connexion Twist-on	Libération rapide
1. Éteignez la Square — mettez-la en position OFF. Le brûleur principal et le brûleur pilote doivent être éteints.	2. Mettez l'interrupteur en position OFF.
2. Tourner le robinet de la bouteille en position OFF (dans le sens des aiguilles d'une montre). 	
3. Ne démontez JAMAIS le détendeur (ou l'écrou de connexion) lorsque la valve de la bouteille est ouverte. 4. RETIRER le régulateur (ou l'écrou de connexion) à l'aide d'une clé ou d'un bouton de connexion. 	3. Retirez le détendeur à dégagement rapide en appuyant horizontalement sur l'interrupteur et en tirant simultanément l'ensemble du détendeur vers le haut. 
5. REMPLACEZ la tringlerie plus proche ou le capuchon sur la bouteille vide ou partiellement pleine si elle n'est pas utilisée.	4. REMPLACER le bouchon de serrage sur une bouteille vide ou partiellement pleine si elle n'est pas utilisée.

3.5.2. Remplacement du régulateur

1. Vous devez toujours utiliser un régulateur de pression entre la bouteille de gaz et l'appareil. Remplacez le régulateur de pression tous les 5 ans. Pressions autorisées : 30 mbar, 37 mbar (recommandé), 50 mbar. Utilisez uniquement les régulateurs conformes à la norme européenne EN16129.
2. Éteignez la Square — la position « OFF ». Le brûleur principal doit être éteint.
3. Débranchez le détendeur de la bouteille de gaz (description ci-dessus).

	Connexion Twist-on	Libération rapide
4. Coupez le réducteur de pression attaché ou passez à l'étape 4.1. si vous avez un réducteur de pression avec raccord de serrage.		
5. Remplacez le régulateur par un nouveau avec une connexion de serrage en attachant une nouvelle tringlerie sur le bout du régulateur.		
6. Déplacez la pince dans le talon		
7. Serrez la pince avec un tournevis (philips) ou une clé plate. ATTENTION ! En cas de dommages visibles sur la pince, remplacez-la par une neuve.		

	Connexion Twist-on	Libération rapide
4.1. Desserrez le collier métallique à l'aide d'un tournevis (philips) ou d'une clé plate.		
4.2. Éloignez la pince du bout du régulateur de gaz et passez à l'étape 5		

4. MODE D'EMPLOI

4.1. Notes générales

La cheminée Square est équipée d'une vanne de régulation avec allumage intégré pour le brûleur principal (sans veilleuse). La hauteur de la flamme du brûleur principal peut être réglée de manière appropriée en tournant le bouton. À côté du bouton est placé le bouton d'allumage électroal (alimenté par une pile AAA). Le panneau de commande est placé sur l'un des côtés les plus courts de la base de la cheminée.



Fig. 5– Bouton de commande

4.2. Démarrage de l'appareil

- Assurez-vous que le bouton est placé en position « OFF » (à fond dans le sens des aiguilles d'une montre).



Fig. 6– Position OFF

- Ouvrez le robinet de la bouteille de gaz.
- Appuyez sur le bouton et, tout en continuant à appuyer, tournez-le dans le sens inverse des aiguilles d'une montre de la position (1) à la position (2)



Fig. 7– Allumer l'appareil

- Tout en maintenant la manette enfoncée, allumez la flamme en appuyant sur le bouton d'allumage (3).



Fig. 8– Séquence d'allumage

- Une étincelle apparaîtra qui allumera le brûleur principal à la hauteur de flamme minimale. Si la flamme ne s'est pas allumée, répétez ce processus 2 à 3 fois. Cela sera nécessaire en particulier lorsque vous avez remplacé et installé une nouvelle bouteille de gaz GPL.
- Lorsque la flamme est allumée, maintenez le bouton enfoncé pendant environ 5 secondes jusqu'à ce que le thermocouple, qui maintiendra la vanne principale en position ouverte, se réchauffe.
- Vous pouvez maintenant relâcher le bouton. Si toutefois la flamme s'éteint, répétez le processus une fois de plus jusqu'à ce qu'une flamme stable soit obtenue.

ATTENTION !!! Après 2-3 tentatives infructueuses, terminez et vérifiez les connexions. Réessayez dans 10 minutes. Si la bouteille de gaz installée est neuve ou si le foyer Square n'a pas été utilisé pendant une longue période, la première chose à faire est de purger l'air du raccord de gaz. Dans ce cas, quelques tentatives seront nécessaires jusqu'à ce que la flamme soit allumée.

4.3. Réglage de la taille de la flamme

- Lorsque la flamme brûle, la hauteur désirée de la flamme peut être ajustée et réglée en tournant le bouton dans le sens des aiguilles d'une montre ou dans le sens inverse des aiguilles d'une montre.
- Pour obtenir une flamme plus élevée, tournez le bouton dans le sens des aiguilles d'une montre sur la position «Hi». Pour abaisser la flamme, tournez le bouton dans le sens inverse des aiguilles d'une montre sur la position «Lo» (Fig. 9).



Fig. 9 – Régulation de la flamme

4.4. Arrêt de l'appareil

- Pour éteindre l'appareil, appuyez et tournez simultanément le bouton à fond dans le sens des aiguilles d'une montre. L'alimentation en gaz sera coupée et la flamme du brûleur sera éteinte.



Fig. 10 – Éteindre l'appareil

- De plus, fermez également le robinet de la bouteille de gaz

4.5. Remplacement des piles

Si la batterie n'est pas insérée correctement, l'allumeur électronique peut être irrémédiablement endommagé. Remplacez la pile uniquement lorsque l'appareil est complètement éteint.

La pile est placée dans le conteneur situé sur le panneau de commande à côté du bouton de réglage de la flamme

- Dévisser le bouton d'allumage
- Retirez la batterie et placez la nouvelle dans la fente.

ATTENTION ! N'oubliez pas la bonne polarisation de la pile.

- Vissez le couvercle du compartiment à piles.

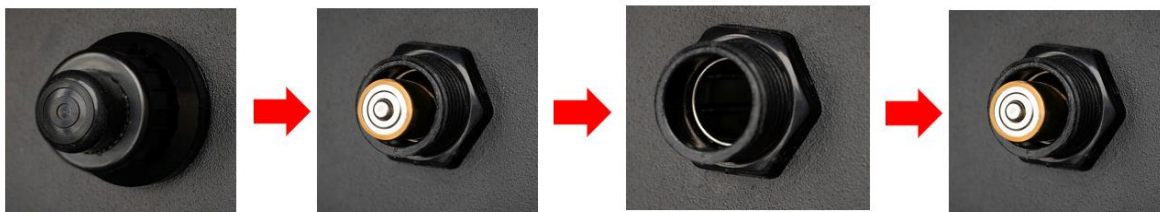


Fig. 11 – Remplacement des piles

5. EXAMEN

ATTENTION !!! NE JAMAIS ALLUMER L'APPAREIL SI L'ODEUR CARACTERISTIQUE DE GAZ EST PERCEPTIBLE.

Si vous sentez une odeur de gaz pendant le fonctionnement du foyer, éteignez immédiatement l'appareil et coupez l'alimentation en gaz de la bouteille de gaz en fermant son robinet.

5.1. Recherche de fuites de gaz.

- Vérifiez si toutes les connexions sont étanches.
- Pour ce faire, appliquez tous les raccordements avec de l'eau savonneuse (ou de l'eau avec une autre substance mousseuse) ou avec un spray professionnel pour la détection de fuites.
- Si des bulles d'air sont présentes, cela signifie que la connexion a une fuite.
- Éliminez les fuites dans les espaces identifiés.
- Vérifiez à nouveau les fuites.
- Après l'inspection, séchez les connexions inspectées.
- L'appareil ne peut être réutilisé qu'après l'élimination de toutes les fuites.
- **Si le problème se reproduit, veuillez contacter le revendeur.**

5.2. Vérification de la flamme apparence.

- Brûlez la Square à la hauteur de flamme maximale et vérifiez l'apparence de la flamme.
- La flamme doit être linéaire et placée uniformément sur toute la longueur du brûleur principal.
- Si des espaces visibles sont présents ou s'il y a des différences substantielles dans la hauteur des flammes, éteignez le foyer et après que l'appareil est refroidi, ajustez le placement des pierres décoratives de manière à ce qu'elles soient placées uniformément sur toute la surface du brûleur principal.
- Allumez le foyer et vérifiez à nouveau l'apparence de la flamme.

6. MAINTENANCE ET ENTRETIEN

6.1. Examen et nettoyage

Veillez vérifier et nettoyer si nécessaire :

- Le brûleur principal - si nécessaire, retirez les parties cassées des pierres et la poussière existante.
- Couple thermique (si nécessaire, enlever le sédiment existant). En cas de dommages visibles, contactez votre revendeur.
- Écrans en verre – vérifiez s'il y a des taches de saleté ou des rayures ou des fissures éventuelles. Si des fissures sont présentes, remplacez l'écran en verre par un neuf. Pour ce faire, contactez votre revendeur.
- Tringlerie de gaz et régulateur de pression (si leur date de péremption n'est pas valide, remplacer ces accessoires par des neufs).
- Si vous rencontrez des problèmes avec le régulateur, la tringlerie de gaz, le brûleur ou les vannes de régulation, n'essayez pas de réparer ces pièces. Contactez un vendeur, un service agréé ou un importateur afin d'acquérir des pièces de rechange. Pour garantir le bon fonctionnement de l'appareil, n'utilisez que des pièces de rechange d'origine.

6.2. Le nettoyage des verres

La plupart des types de taches existantes peuvent être essuyées avec un chiffon sec. En cas de taches plus importantes, vous pouvez utiliser des liquides normalement appliqués sur les carreaux de céramique ou les fenêtres. Séchez toujours la vitre pour éviter les taches d'humidité qui pourraient s'incruster de manière irréversible dans la vitre.

ATTENTION !!! Évitez de laisser des empreintes digitales sur le verre. Ils seront incrustés dans la vitre et vous ne pourrez pas les nettoyer.

7. DIAGNOSTIQUE DE PANNE

Attention ! Le montage, l'entretien et le service doivent être effectués par un professionnel qualifié possédant la qualification appropriée, une entreprise appropriée ou le fournisseur de gaz.

PROBLÈME	CAUSE POSSIBLE	MESURE CORRECTIVE
ODEUR DE GAZ	FERMER IMMÉDIATEMENT LA SOUPAPE DE LA BOUTEILLE DE GAZ. N'UTILISEZ PAS L'APPAREIL TANT QUE LES FUITES N'ONT PAS ÉTÉ ÉLIMINÉES.	
Fuite détectée au niveau du cylindre, régulateur ou autre connexion.	1. Une tringlerie de régulateur desserrée. 2. Fuite dans la tringlerie de gaz, dans le régulateur ou sur les boutons de gaz.	1. Serrez et examinez-le. 2. Signalez ce problème au service.
Le brûleur ne s'allume pas	1. La bouteille est vide. 2. La tringlerie de l'allumeur n'est pas connectée. 3. Aucune étincelle d'allumage. 4. L'électrode de l'allumeur n'est pas placée correctement en face de l'allumeur. 5. Les buses de gaz sont obstruées. 6. La tringlerie de gaz est tordue. 7. La liaison du régulateur de pression est desserrée.	1. Remplacez la bouteille de gaz. 2. Connectez la tringlerie de l'allumeur. 3. Remplacer l'allumeur. 4. Réalignez l'électrode et retirez tous les débris environnants de la zone. 5. Démontez le brûleur, nettoyez la buse. 6. Redressez la tringlerie. Maintenez la tringlerie éloignée du boîtier. 7. Serrez le lien. Rechercher d'éventuelles fuites.
L'allumeur ne fonctionne pas	1. Fil d'allumage non connecté. 2. Électrode mal alignée sur la veilleuse 3. Dysfonctionnement de l'allumeur 4. La pile est épuisée	1. Assurez-vous que le fil de l'électrode pilote est connecté. 2. Réalignez l'électrode et retirez tous les débris environnants de la zone. 3. Remplacer l'Allumeur 4. Remplacer la pile
Faible efficacité, sons de « craquement »	1. La bouteille est vide. 2. Les gicleurs du brûleur sont bouchés.	1. Remplacez la bouteille de gaz. 2. Démontez le brûleur, nettoyez la buse.
Bruits sourds émis par le régulateur.	Le robinet de la bouteille s'est ouvert rapidement.	Dévissez lentement la valve de la bouteille.
Une flamme vive/orange vif et fumée du brûleur.	Trous bouchés dans l'appareil produisant le mélange de gaz et d'air.	Démonter le brûleur et nettoyer/déboucher les trous de l'appareil.

8. COORDONNÉES DU VENDEUR

Vendeur: Planika Sp. z o.o.
 Adresse: Bydgoskich Przemysłowców 10
 Numéro de téléphone: + 48 52 364 11 60

9. CARACTÉRISTIQUES TECHNIQUES

Catégorie d'appareils		I3P			I3B/P			I3+	
Gaz de référence		G31			G30			G30	G31
Pression d'admission	[mbar]	30	37	50	30	37	50	28-30	37
Diamètre de l'injecteur	[mm]	1,4			1,4			1,4	
Consommation de gaz	[kg/h]	0,5	0,55	0,65	0,5	0,55	0,65	0,5	0,55
Apport de chaleur nominal (Hi)	[kW]	6,4	7	8,3	6,4	7,8	9,1	7,4	7,4
Apport thermique nominal (Hs)	[kW]	7	7,7	9,0	8	8,5	10	8	8
Dispositif de sécurité	Thermocouple								
Valve de contrôle du gaz	BS190								
Tuyau flexible (4 m)	Ø9mm								

FOURNISSEUR	
Nom :	Cachet et signature du vendeur
Adresse :	
Tél./fax :	
Date de vente :	
ACHETEUR	
Nom :	
Adresse :	
Tél./fax :	
Date d'achat :	
Le foyer à gaz doit être installé par un installateur qualifié conformément aux réglementations nationales applicables en matière de construction et conformément aux directives contenues dans les manuels d'installation et d'utilisation.	
Je déclare par la présente avoir lu le manuel d'utilisation et les conditions de garantie.	
Date et signature lisible de l'Acheteur	
INSTALLER	
Nom :	Cachet et signature de l'installateur
Adresse :	
Tél./fax :	
Date de mise en service :	
Je déclare par la présente que le foyer au gaz installé par mon entreprise a été installé conformément aux règlements de construction applicables et conformément aux directives contenues dans les manuels d'installation et d'utilisation. Le foyer à gaz installé est prêt à fonctionner en toute sécurité.	

LA LETTURA DI QUESTE ISTRUZIONI E LA LORO CONSERVAZIONE SONO

OBBLIGATORIE.

INDICE DEI CONTENUTI

1. INTRODUZIONE	60
2. ISTRUZIONI DI SICUREZZA	60
2.1 Istruzioni di sicurezza sull'uso delle bombole di gas.....	61
3. INSTALLAZIONE	62
3.1. Contenuto della confezione	62
3.2. Disimballaggio e montaggio	62
3.3. Installazione di schermi di vetro e dei piedini regolabili.....	63
3.4. Montaggio delle bombole di gas (solo la versione GPL)	63
3.5. Montaggio della connessione del gas	64
3.5.1. Connessione del gas e sostituzione della bombola del gas (la versione GPL)	64
3.5.2. Sostituzione del regolatore	67
4. MANUALE D'USO	68
4.1. Note generali.....	68
4.2. Spegnimento del dispositivo	68
4.3. Regolazione della dimensione della fiamma	69
4.4. Spegnimento del dispositivo	69
4.5. Sostituzione della batteria	70
5. CONTROLLI	70
5.1. Controllo delle perdite di gas.....	70
5.2. Controllo dell'aspetto della fiamma.....	70
6. MANUTENZIONE E MANTENIMENTO	71
6.1. Controlli e pulizia	71
6.2. Pulizia degli schermi di vetro	71
7. RISOLUZIONE DEI PROBLEMI	71
8. COORDINATE DEL VENDITORE	72
9. SPECIFICAZIONI TECNICHE	72

1. INTRODUZIONE

Il caminetto Square è un apparecchio decorativo a gas ad effetto combustibile destinato esclusivamente all'uso all'aperto. È obbligatorio prendere conoscenza delle seguenti istruzioni per l'installazione e del manuale d'uso, prima di impegnarsi nell'installazione e nell'uso del caminetto Square. Questo manuale deve essere conservato con cura per tutta la durata di vita dell'apparecchio.

ATTENZIONE! Il dispositivo deve essere installato dall'installatore che è certificato e specialista qualificato in riscaldamento a gas e dovrebbe avere tutte le qualifiche richieste dalla legge locale. Il mancato rispetto di questa condizione può comportare l'annullamento della garanzia.

2. ISTRUZIONI DI SICUREZZA

- Leggere le istruzioni prima di usare l'apparecchio.
- Usare solo all'aperto.
- Il caminetto Square deve essere installato e controllato annualmente secondo il manuale d'installazione che segue e le leggi nazionali e locali vigenti in materia di sicurezza del gas (installazione e uso).
- Bisogna valutare se i dati della targhetta del prodotto sono conformi al tipo di gas e alla pressione locale.
- Non cambiare la struttura dell'apparecchio o i suoi elementi sigillati e non modificare le impostazioni predefinite del caminetto Square.
- Non mettere ulteriori blocchi d'imitazione né frammenti di carbone incandescente sul bruciatore o nella camera di combustione.
- Un estintore a CO₂ o a polvere deve essere posto vicino all'apparecchio.
- Durante la prima accensione il caminetto Square deve essere bruciato al massimo livello per alcune ore affinché gli elementi acquisiscano la giusta temperatura e affinché i resti di vernice, lacche e lubrificanti evaporino.
- Non spostare l'apparecchio mentre è in funzione.
- Il Square è stato progettato per scopi decorativi. La superficie del caminetto Square compresi gli schermi di vetro può diventare calda (fino a 100 gradi Celsius) ad eccezione delle pareti laterali dell'apparecchio e del pannello di controllo. **ATTENZIONE!!!** Le parti del dispositivo che sono facili da raggiungere possono essere molto calde. Tenere i bambini lontani dal dispositivo.
- I pannelli di vetro devono essere installati in caso di utilizzo del Square.
- Questo apparecchio deve essere tenuto lontano da materiali infiammabili mentre è in uso. Non collocate materiali infiammabili entro una distanza di 1 m da Square e 2 m sopra l'apparecchio (Fig. 1).

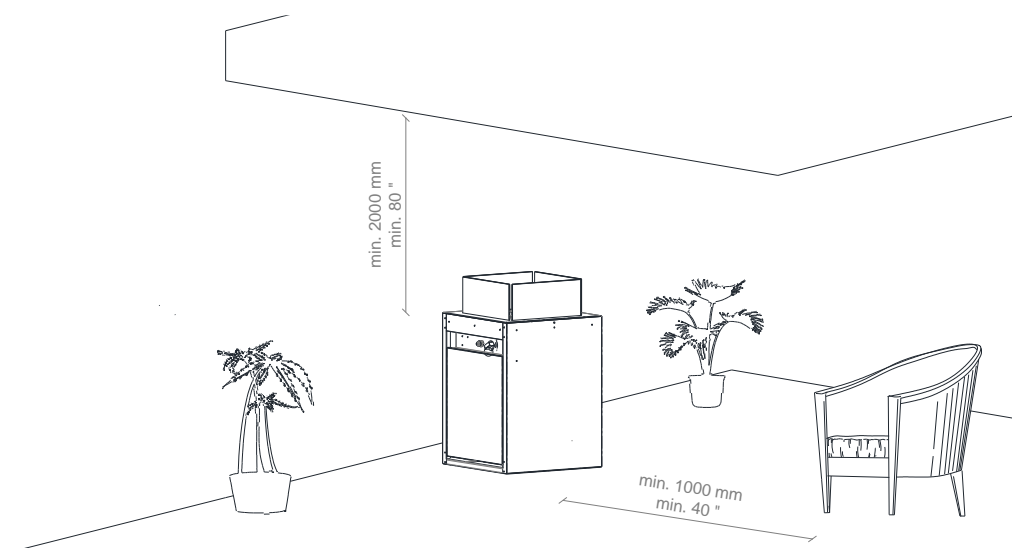


Fig. 1: : Distanza minima dai materiali infiammabili

- Quando il caminetto Square è acceso non deve essere esposto alla pioggia.

- Quando non viene usato, il Square deve essere protetto dalle condizioni atmosferiche e la valvola principale della bombola del gas deve essere chiusa.
- Se il Square non viene utilizzato per un lungo periodo di tempo (ad esempio in inverno), vi consigliamo di riporlo all'interno.
- Tutte le parti del caminetto Square sono fatte di materiale resistente alle macchie.
- Non lasciare mai un Square acceso senza sorveglianza.
- Il caminetto Square deve essere installato in un luogo inaccessibile ai bambini, alle persone non autorizzate o agli animali affinché sia impossibile il contatto diretto con la fiamma o con le parti calde dell'apparecchio.
- In caso di vento forte, il caminetto Square deve essere immediatamente spento e bisogna aspettare che il vento forte passi.
- Se si notano delle perdite di gas, bisogna spegnere sia il caminetto che la valvola principale della bombola del gas.
- Dopo l'uso, spegnete la valvola della bombola del gas.

2.1 Istruzioni di sicurezza sull'uso delle bombole di gas.

- Usate solo il tipo di gas e la pressione specificati dal produttore.
- Le bombole di gas devono essere sempre posizionate in verticale - durante l'uso e il trasporto.
- Conservare sempre la bombola di gas in un luogo facilmente accessibile per permetterne lo spegnimento immediato.
- Durante il processo di installazione non permettere che una fiamma aperta o qualsiasi oggetto infiammato raggiunga la bombola del gas.
- Le perdite devono essere trovate con l'uso di un liquido di pulizia e acqua. Se si formano delle bolle sulla superficie, significa che c'è una perdita esistente.
- Usare sempre un regolatore di pressione tra la bombola di gas e l'apparecchio. Sostituire il regolatore di pressione ogni 5 anni. Le pressioni consentite sono: 30mbar, 37mbar (consigliato), 50 mbar. Utilizzate solo regolatori conformi alla norma europea EN16129.
- Usare solo raccordi per il collegamento del gas approvati e certificati. Sostituire il raccordo ogni 2 anni.
- Utilizzare solo il tipo di gas e il tipo di bombola specificati in queste istruzioni.
- Il collegamento elastico che collega il gas al caminetto deve essere condotto lontano da spigoli taglienti e superfici calde. Evitare di piegare e torcere il collegamento elastico su tutta la sua lunghezza.
- Ricordare che la bombola di GPL deve essere conservata in un luogo ben ventilato. Il gas GPL è più pesante dell'aria e il suo accumulo vicino alla superficie inferiore può generare una miscela esplosiva.
- L'involucro in cui è collocato il cilindro GPL (opzionale) deve avere una ventilazione adeguata. L'involucro deve avere una fessura di ventilazione superiore sopra la parte superiore della bombola (con un'area pari ad almeno 1/100 dell'area di base dell' involucro) e una fessura di ventilazione inferiore (con un'area pari ad almeno 1/50 dell'area di base dell'involucro). La bombola di gas deve essere chiusa se il caminetto non viene utilizzato.
- Il riempimento delle bombole di gas deve essere affidato a stazioni di rifornimento certificate.
- La sostituzione delle bombole vuote con quelle piene deve essere effettuata solo in luoghi autorizzati.

3. INSTALLAZIONE

3.1. Contenuto della confezione

- 1x caminetto a gas Square completo
- 4x schermo di vetro temperato
- 4x piedini regolabili
- 1x batterie AAA (posizionate sotto il pulsante di accensione)
- 1x confezione di pietre decorative
- 1x 4 metri di collegamento del gas in gomma - installato
- 1x regolatore di pressione (37mbar) - installato
- 1x manuale d'installazione e manuale d'uso

3.2. Disimballaggio e montaggio

- Il contenuto delle confezioni deve essere accuratamente disimballato dalla pellicola di schiuma.
- Togliere i sacchetti con le pietre decorative dal serbatoio del bruciatore e metterli lontano da esso.
- Rimuovere il polistirolo posto sull'unità.
- Sollevare attentamente l'apparecchio ed estraete i pannelli di vetro avvolti nel cartone all'interno del Square.
- Verificare la completezza degli elementi con la lista del contenuto.
- Assicurarsi che l'apparecchio e i suoi elementi non siano stati danneggiati durante il trasporto (se lo sono stati, avvisare il fornitore).
- Posizionare il Square su una superficie piana e pavimentata all'esterno dell'edificio, preferibilmente sul luogo d'installazione finale. Lasciare uno spazio sufficiente sul lato dell'apparecchio dove si trova il pannello di controllo (minimo 1 m).
- Le pietre decorative devono essere distribuite uniformemente per coprire completamente il bruciatore del camino.



Fig. 2 –SQUARE dettaglio degli elementi di accensione

- Installare attentamente gli schermi di vetro laterali (Vedi punto 3.3).
- Se tutti i punti sono stati completati secondo le istruzioni, la bombola del gas può essere adesso collegata

3.3. Installazione di schermi di vetro e dei piedini regolabili

- Rimuovere con attenzione il cartone e la pellicola di schiuma dagli schermi di vetro.
- Rimuovete dagli schermi di vetro tutte le contaminazioni che potrebbero bruciare sul vetro durante il funzionamento del Square (in particolare le impronte digitali).
- Installare gli schermi di vetro e i piedini regolabili nelle fessure corrispondenti dell'apparecchio, come mostrato di seguito
- Rimuovere la protezione del vetro solo in caso di danni al vetro.

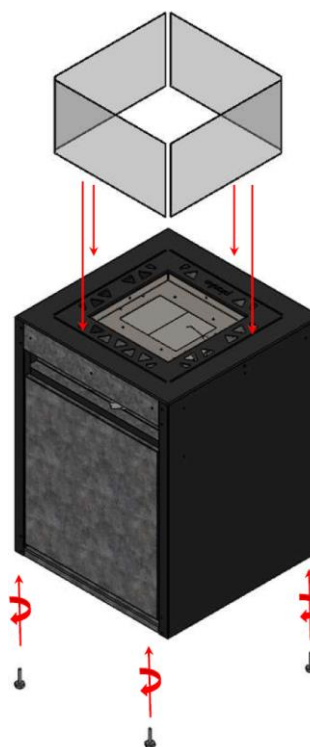


Fig. 3 – Montaggio del vetro

3.4. Montaggio delle bombole di gas (solo la versione GPL)

- Il collegamento del gas attaccato al dispositivo permette di posizionare la bombola del gas al massimo a 3 metri di distanza dal pannello di controllo collegato, tuttavia non può essere posizionato più vicino al dispositivo che a 1,5 metri. È possibile seguire le norme locali se queste prevedono una distanza diversa. Una bombola di gas più piccola può essere collegata e collocata all'interno dell'apparecchio. Prima dell'uso, confrontare le dimensioni della bombola con lo spazio disponibile nell'apparecchio.

Bombola di gas fuori dal dispositivo	Bombola di gas all'interno dell'apparecchio (Lo spazio disponibile all'interno dell'apparecchio è 450x420 x460mm – D x W x H)

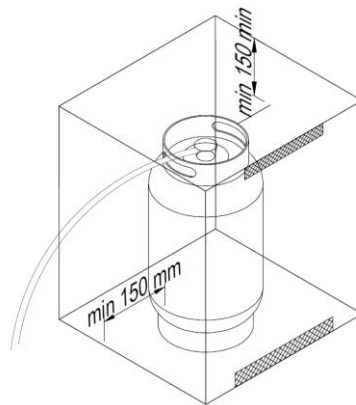


Fig. 4 – L' involucro per la bombola di gas

- L'involucro opzionale per la bombola di gas non può essere ermetico e deve essere correttamente ventilato. L'involucro deve avere una fessura di ventilazione superiore sopra la parte superiore della bombola (di un'area minima di 1/100 dell'area della base dell'involucro) e una fessura di ventilazione inferiore (di un'area minima di 1/50 dell'area della base dell'involucro). Le dimensioni dell'involucro possono variare per accogliere diversi tipi e dimensioni delle bombole di gas, ma devono anche essere sufficienti per un'installazione della bombola di gas senza problemi.

3.5. Montaggio della connessione del gas

ATTENZIONE!!! Il montaggio e la manutenzione devono essere effettuati da un professionista qualificato, un'azienda o il fornitore del gas.

Prima della procedura di collegamento della bombola del gas al caminetto, tutte le attività riguardanti il corretto posizionamento e l'installazione del Square devono essere già eseguite. Posizionate il collegamento del gas lontano da spigoli caldi o taglienti e assicuratevi che non sia attorcigliato.

3.5.1. Connessione del gas e sostituzione della bombola del gas (la versione GPL)

Il quadrato viene fornito con un collegamento elastico per il gas che è collegato a un'estremità alla valvola del dispositivo e all'altra estremità al regolatore di gas, pronto per essere collegato alla bombola di gas.

Tipo di riduttore di pressione	Paese	Tipo di connessione	Diametro di ingresso	Uscita
Type A	FR, UK, IE	Clip On	27 mm	G1/4"-LH
Type B	ES, DK, NO, FI, EE, PT, CY	Clip On	35 mm	G1/4"-LH
Type C	PL, DE, LT, AL, BE, CZ, SK, SI, LV, HR, CH, UA, RS, MK, BiH	Twist On	23 mm	G1/4"-LH
Type D	IT, GR	Twist On	20 mm	G1/4"-LH

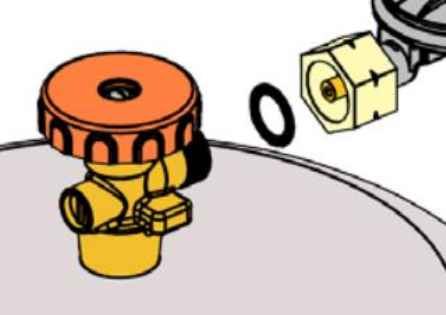


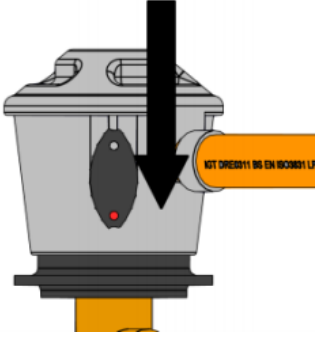
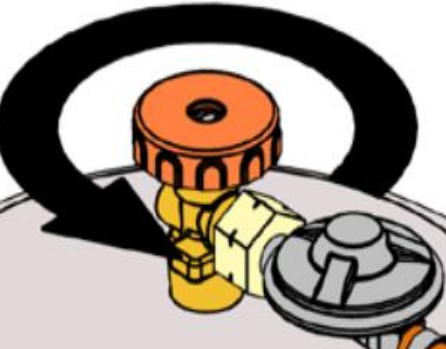
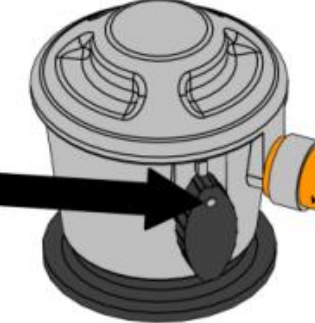
Se la bombola del gas ha una dimensione di ingresso diversa o richiede un regolatore diverso, sostituire il regolatore in dotazione con il regolatore richiesto (disponibile separatamente sul mercato locale).

ATTENZIONE!!! Non utilizzare MAI un collegamento del gas instabile o un regolatore per altre pressioni di gas.

Le bombole di gas hanno due tipi di connettori:

- Connessione a rotazione: La cosa più importante è la guarnizione nera. Controllate sempre se la guarnizione è presente e se non è stata danneggiata durante la sostituzione della bombola del gas. Alcuni collegamenti hanno una manopola per fissarli in posizione, mentre altri richiedono l'uso di una chiave. Serrate saldamente (filettatura sinistra). Usando l'attrezzo, fate attenzione a non stringere troppo la connessione perché questo potrebbe danneggiare la guarnizione.
- Sgancio rapido: Per questo tipo di collegamento non è necessario alcun attrezzo. La regolazione on/off del collegamento del gas avviene tramite un interruttore sul regolatore o su un connettore speciale. Nel caso in cui si utilizzi un connettore con un regolatore a filettatura di vecchio tipo, è necessario controllare se il dado di collegamento è stato ben fissato con l'aiuto di una chiave.

Collegamento della bombola del gas

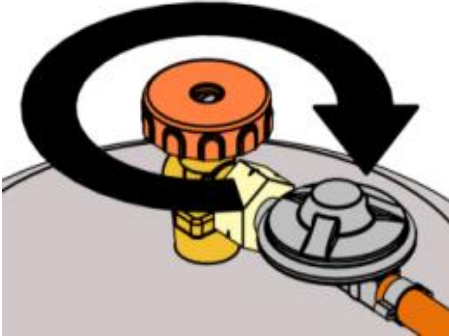
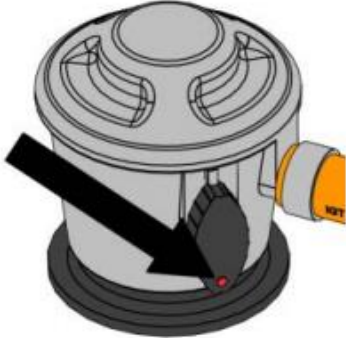

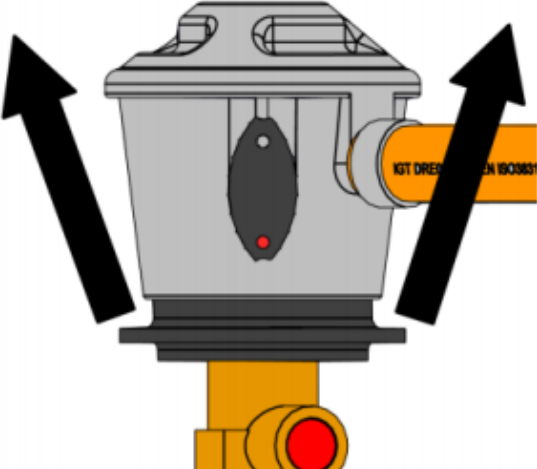
Connessione a rotazione	Sgancio rapido
<ol style="list-style-type: none"> 1. Verificate se la valvola della bottiglia è SPENTA ruotandola in senso orario 2. Rimuovete il puntale di protezione e conservatelo per un uso successivo. 	<ol style="list-style-type: none"> 1. Rimuovete la punta di protezione. Non utilizzare alcuno strumento, lasciate la punta appesa liberamente.
<ol style="list-style-type: none"> 3. Prima di effettuare il collegamento controllate che la guarnizione nera non sia danneggiata. 	<ol style="list-style-type: none"> 2. Assicuratevi che tutti i rubinetti del dispositivo a gas siano chiusi e che l'interruttore sia in posizione OFF. 
<ol style="list-style-type: none"> 4. Montate il dado di collegamento alla bombola con l'uso di una chiave corretta o della manopola di collegamento (filettatura sinistra). Non stringere troppo i connettori delle bombole di gas. 	<ol style="list-style-type: none"> 3. Posizionate il regolatore a sgancio rapido sulla valvola e premetelo con forza. Se l'interruttore è stato spento correttamente si sentirà un caratteristico clic. 
<ol style="list-style-type: none"> 5. Quando il flusso di gas è richiesto, ruotate la valvola della bottiglia in senso antiorario. 	<ol style="list-style-type: none"> 4. Per far fluire il gas, mettete l'interruttore in posizione ON (o nell'immagine della fiamma). 

- Posizionate la bombola del gas ad una distanza corretta dal camino (min. 1,5 metro di distanza).

ATTENZIONE!!! Controllate il collegamento del gas per individuare eventuali perdite. Se qualcosa suggerisce la presenza di una perdita (per esempio un odore caratteristico di gas), chiudete la valvola della bombola del gas e in nessun caso accendete l'apparecchio prima di aver eliminato la perdita. (Vedi punto 5.1).

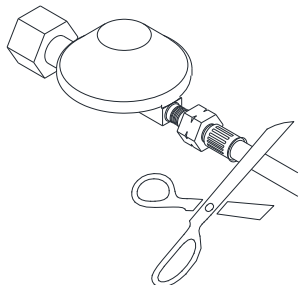
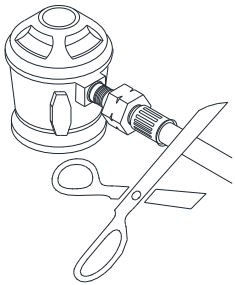
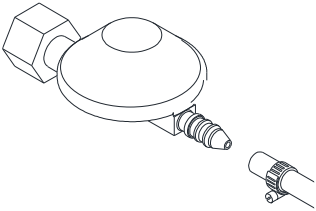
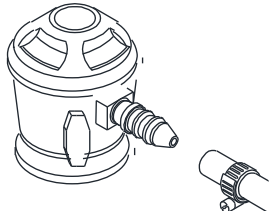
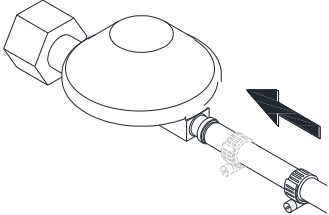
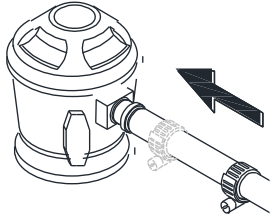
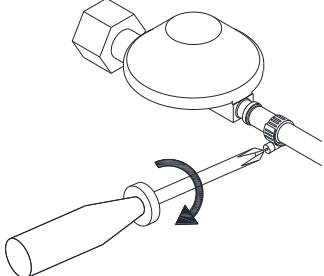
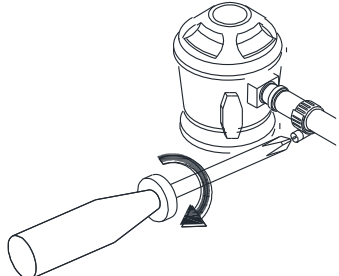
- Dopo aver rimosso la perdita si può riaprire la valvola della bombola del gas.

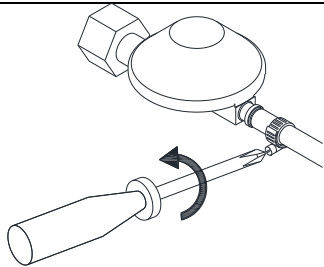
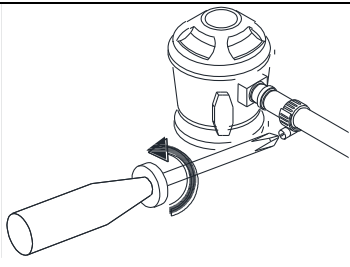
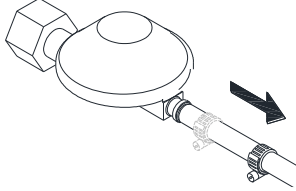
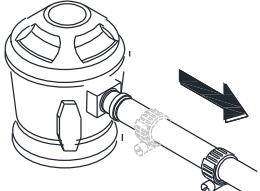
Scollegamento della bombola del gas

Connessione a rotazione	Sgancio rapido
<p>1. Spegnete il Square - mettetelo in posizione OFF. Il bruciatore principale deve essere spento.</p>	<p>2. Mettete l'interruttore in posizione OFF.</p>
<p>2. Ruotate la valvola della bottiglia in posizione OFF (in senso orario).</p> 	
<p>3. Non rimuovere MAI il regolatore (o il dado di collegamento) mentre la valvola della bombola è aperta.</p> <p>4. Rimuovete il regolatore (o il dado di collegamento) usando una chiave o una manopola di collegamento.</p> 	<p>3. Rimuovete il regolatore a sgancio rapido premendo l'interruttore orizzontalmente mentre tirate l'intero regolatore verso l'alto.</p> 
<p>5. SOSTITUIRE la chiusura o il tappo della bottiglia vuota o parzialmente piena se non viene utilizzata.</p>	<p>4. SOSTITUIRE il tappo di chiusura su una bottiglia vuota o parzialmente piena se non viene utilizzata.</p>

3.5.2 Sostituzione del regolatore

1. Utilizzate sempre un regolatore di pressione tra la bombola del gas e l'apparecchio. Il regolatore di pressione dovrebbe essere sostituito ogni 5 anni. Pressioni ammissibili: 30 mbar, 37 mbar (raccomandato), 50 mbar. Utilizzate solo regolatori conformi alla norma europea EN16129.
2. Spegnete il Square - la posizione "OFF". Il bruciatore principale deve essere spento.
3. Scollegate il regolatore dalla bombola del gas (descrizione sopra).

	Connessione a rotazione	Sgancio rapido
4. Tagliate il regolatore di pressione fornito o andate alla sezione 4.1 se avete un regolatore di pressione con una connessione a morsetto.		
5. Sostituite il regolatore con uno nuovo con collegamento a morsetto attaccando il nuovo collegamento sulla punta del regolatore.		
6. Spostate il morsetto nella punta.		
7. Stringete il morsetto con un cacciavite (philips) o una chiave piatta. ATTENZIONE! In caso di danni visibili sul morsetto, sostituitelo con uno nuovo.		

	Connessione a rotazione	Sgancio rapido
4.1. Allentate il morsetto metallico con l'aiuto di un cacciavite (philips) o di una chiave piatta.		
4.2. Allontanate il morsetto dalla punta del regolatore di gas e andate al punto 5.		

4. MANUALE D'USO

4.1. Note generali

Il caminetto Square ha una valvola di controllo con un'accensione incorporata per il bruciatore principale (senza fiamma pilota). L'altezza della fiamma del bruciatore principale può essere opportunamente regolata girando la manopola. Accanto alla manopola si trova il pulsante di accensione elettrica (alimentato da una batteria AAA). Il pannello di controllo si trova su uno dei lati più corti della base del camino.



Fig. 5– Manopola del controllo

4.2. Spegnimento del dispositivo

- Assicuratevi che la manopola sia posta in posizione "OFF" (tutta in senso orario) (6).



Fig 6 – Posizione di spegnimento

- Aprite la valvola della bombola del gas.
- Premete la manopola e, sempre premendo, ruotatela in senso antiorario dalla posizione (1) alla posizione (2)



Fig 7 – Accensione del dispositivo

- Tenendo la manopola ancora premuta, accendete la fiamma premendo il pulsante di accensione (3).



Fig 8 – Premendo il pulsante "on"

- Apparirà una scintilla che accende il bruciatore principale all'altezza minima della fiamma. Se la fiamma non si è accesa, ripetete questo processo 2-3 volte. Questo sarà necessario soprattutto quando avete sostituito e installato una nuova bombola di gas GPL.
- Quando la fiamma si è accesa, tenete la manopola per circa 5 secondi finché la termocoppia, che manterrà la valvola principale in posizione aperta, si riscalda.
- Ora potete rilasciare la manopola. Se però la fiamma si spegne, ripetete ancora una volta il processo fino ad ottenere una fiamma stabile

ATTENZIONE!!! Dopo 2-3 tentativi infruttuosi terminate e controllate le connessioni. Riprovate tra 10 minuti. Se la bombola del gas installata è nuova o se il caminetto non è stato usato per un lungo periodo, la prima cosa da fare è quella di far uscire l'aria dal collegamento del gas. In questo caso saranno necessari alcuni tentativi fino all'accensione della fiamma.

4.3. Regolazione della dimensione della fiamma

- Quando la fiamma è accesa, l'altezza desiderata della fiamma può essere regolata ruotando la manopola in senso orario o antiorario.
- Per ottenere una fiamma più alta, ruotate la manopola in senso antiorario fino alla posizione "Hi". Per ottenere una fiamma più bassa, ruotate la manopola in senso orario fino alla posizione "Lo" (Fig 9).



Fig 9 – Regolazione della fiamma alta

4.4. Spegnimento del dispositivo

- Per spegnere l'apparecchio, premete e ruotate contemporaneamente la manopola in senso orario (fig. 10). L'alimentazione del gas sarà interrotta e la fiamma del bruciatore sarà spenta.

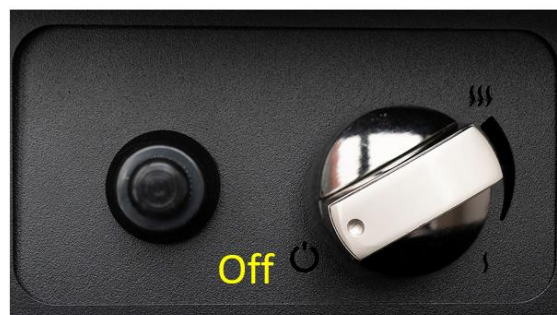


Fig 10 – Spegnimento del dispositivo

- Inoltre, chiudete anche la valvola della bombola del gas.

4.5. Sostituzione della batteria

Se la batteria viene inserita in modo sbagliato, l'accenditore elettronico può essere danneggiato irreparabilmente. Sostituire la batteria solo dopo aver spento completamente l'apparecchio.

La batteria si trova nel contenitore situato sul pannello di controllo accanto alla manopola di regolazione della fiamma.

- Svitare il pulsante di accensione
 - Rimuovere la batteria e mettere quella nuova nel contenitore.
- ATTENZIONE!!!** Ricordate di polarizzare correttamente la batteria.
- Avvitare il coperchio del contenitore delle batterie.

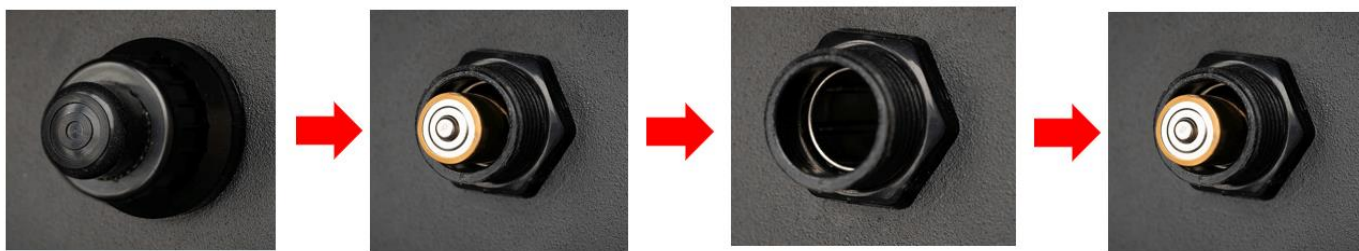


Fig 15 – Sostituzione della batteria

5. CONTROLLI

ATTENZIONE!!! NON ACCENDERE MAI L'APPARECCHIO SE È PERCEPIBILE L'ODORE CARATTERISTICO DEL GAS.

Se si sente odore di gas durante il funzionamento del caminetto, spegnere immediatamente l'apparecchio e interrompere l'alimentazione del gas dalla bombola chiudendo la sua valvola.

5.1. Controllo delle perdite di gas.

- Controllare se tutte le connessioni sono ermetiche.
- Per farlo, applicare tutte le connessioni con acqua saponata (o acqua con un'altra sostanza schiumosa) o con uno spray professionale per il rilevamento delle perdite.
- Se sono presenti bolle d'aria, significa che la connessione ha una perdita.
- Rimuovere le perdite negli spazi identificati.
- Controllare ancora una volta la presenza di perdite.
- Dopo l'ispezione asciugare le connessioni ispezionate.
- Il dispositivo può essere utilizzato di nuovo solo dopo aver rimosso tutte le perdite.
- **Se il problema si ripresenta, contattare il rivenditore.**

5.2. Controllo dell'aspetto della fiamma.

- Bruciare il Square all'altezza massima della fiamma e controllare l'aspetto della fiamma.
- La fiamma deve essere disposta uniformemente su tutta la superficie del bruciatore principale.
- Se sono presenti spazi vuoti visibili o ci sono differenze sostanziali nell'altezza della fiamma, spegnere il caminetto e, dopo che l'apparecchio si è raffreddato, regolare il posizionamento delle pietre decorative in modo tale che siano disposte uniformemente su tutta la superficie del bruciatore principale.
- Accendere il caminetto e controllare ancora una volta l'aspetto della fiamma.

6. MANUTENZIONE E MANTENIMENTO

6.1. Controlli e pulizia

Si prega di controllare e pulire se necessario:

- Il bruciatore principale - se necessario, rimuovete le parti rotte delle pietre e la polvere esistente.
- La termocoppia (se necessario, rimuovete il sedimento esistente). In caso di danni visibili contattate il vostro rivenditore.
- Schermo di vetro - controllate che non ci siano macchie di sporco o possibili graffi o crepe. Se ci sono crepe, sostituite lo schermo di vetro con uno nuovo. Per fare questo, contattate il vostro rivenditore.
- Collegamento del gas e regolatore di pressione (se la loro data di scadenza non è valida, sostituite questi accessori con altri nuovi).
- Se avete riscontrato problemi con il regolatore, il collegamento del gas, il bruciatore o le valvole di regolazione, non cercate di riparare queste parti. Contattate un venditore, un servizio autorizzato o un importatore per acquistare i pezzi di ricambio. Per garantire un funzionamento efficiente dell'apparecchio, utilizzate solo pezzi di ricambio originali.

6.2. Pulizia degli schermi di vetro

La maggior parte dei tipi di macchie esistenti possono essere puliti con un panno asciutto. Per le sbavature più consistenti si può usare un liquido da applicare normalmente alle piastrelle di ceramica o alle finestre. Asciugate sempre lo schermo di vetro per evitare macchie umide che potrebbero conficcarsi irreversibilmente nel vetro.

ATTENZIONE!!! Evitate di lasciare impronte digitali sul vetro. Saranno incorporate nel vetro e non sarà possibile pulirle.

7. RISOLUZIONE DEI PROBLEMI

ATTENZIONE!!! Il montaggio, la manutenzione e l'assistenza devono essere condotti da un professionista qualificato con una qualifica adeguata, da un'azienda adeguata o dal fornitore del gas.

PROBLEMA	CAUSA POSSIBILE	AZIONE CORRETTIVA
ODORE DI GAS	CHIUDETE IMMEDIATAMENTE LA VALVOLA DELLA BOMBOLA DEL GAS. NON UTILIZZARE L'APPARECCHIO FINO A QUANDO NON SIANO STATE ELIMINATE LE PERDITE	
Perdita rilevata alla bombola, regolatore o altra connessione	<ol style="list-style-type: none">1. Un collegamento del regolatore allentato2. Perdita nel collegamento del gas, nel regolatore o sulle manopole del gas	<ol style="list-style-type: none">1. Stringete e testate2. Segnalate questo problema al servizio di assistenza
Il bruciatore non si accende	<ol style="list-style-type: none">1. La bombola è vuota.2. Il collegamento dell'accenditore non è collegato.3. Nessuna scintilla di accensione.4. L'elettrodo dell'accenditore è posizionato in modo sbagliato di fronte all'accenditore.5. Gli ugelli del gas sono bloccati.6. Il collegamento del gas è attorcigliato.7. Il collegamento del regolatore di pressione è allentato.	<ol style="list-style-type: none">1. Sostituite la bombola del gas.2. Collegate il collegamento dell'accenditore.3. Sostituite l'accenditore.4. Riallineate l'elettrodo e rimuovete dall'area tutti i detriti circostanti.5. Smontate il bruciatore, pulite l'ugello.6. Raddrizzate il leveraggio. Tenete il leveraggio lontano dall'alloggiamento.7. Stringete il collegamento. Controllate se ci sono perdite.
L'accenditore non funziona	<ol style="list-style-type: none">1. Filo dell'accenditore non collegato.2. Elettrodo disallineato sul bruciatore pilota3. Malfunzionamento dell'accenditore4. La batteria si è esaurita	<ol style="list-style-type: none">1. Assicuratevi che il filo dell'elettrodo pilota sia collegato.2. Riallineate l'elettrodo e rimuovete dall'area tutti i detriti circostanti.3. Sostituite l'accenditore4. Sostituite la batteria
Prestazioni ridotte, suoni "scoppiettanti"	<ol style="list-style-type: none">1. La bombola è vuota.2. Gli ugelli del gas sono bloccati.	<ol style="list-style-type: none">1. Sostituite la bombola del gas.2. Smontate il bruciatore, pulite l'ugello.
I suoni rimbombanti prodotti dal regolatore.	La valvola della bombola si è aperta rapidamente.	Allentate lentamente la valvola della bottiglia.
Una fiamma vivida/arancione brillante e fumosa del bruciatore.	Fori bloccati nell'apparecchio che produce la miscela di gas e aria.	Smontate il bruciatore e pulite/sbloccate i fori dell'apparecchio.

8. COORDINATE DEL VENDITORE

Vendeur: Planika Sp. z o.o.
 Indirizzo: Bydgoskich Przemysłowców 10
 Numero di telefono: + 48 52 364 11 60

9. SPECIFICAZIONI TECNICHE

Specificazioni tecniche		I3P			I3B/P			I3+	
Gas di riferimento		G31			G30			G30	G31
Pressione di entrata	[mbar]	30	37	50	30	37	50	28-30	37
Diametro dell'iniettore	[mm]	1,4			1,4			1,4	
Consumo del gas	[kg/h]	0,5	0,55	0,65	0,5	0,55	0,65	0,5	0,55
Apporto di calore nominale (Hi)	[kW]	6,4	7	8,3	6,4	7,8	9,1	7,4	7,4
Apporto di calore nominale (Hs)	[kW]	7	7,7	9,0	8	8,5	10	8	8
Dispositivo di sicurezza	Termocoppia								
Valvola di controllo del gas	BS190								
Tubo flessibile (4 m)	Ø9mm								

VENDITORE	
Nome:	Timbro e firma del venditore
Indirizzo:	
Tel/fax:	
Data di vendita:	
ACQUIRENTE	
Nome:	
Indirizzo:	
Tel/fax:	
Data di acquisto:	
<p>Il caminetto a gas deve essere installato da un installatore qualificato in conformità alle norme nazionali vigenti in materia di edilizia e secondo le direttive contenute nei manuale d'installazione e d'uso.</p>	
<p>Il sottoscritto dichiara di aver letto il manuale d'uso e le condizioni di garanzia.</p>	
<p>Data e firma leggibile dell'acquirente</p>	
INSTALLATORE	
Nome:	
Indirizzo:	
Tel/fax:	
Data di messa in servizio:	
<p>Il sottoscritto dichiara che il caminetto a gas installato dalla sua azienda è stato installato in conformità alle norme edilizie vigenti e secondo le direttive contenute nel manuale d'installazione e d'uso. Il caminetto a gas installato è pronto per un funzionamento sicuro.</p>	
<p>Timbro e firma dell'installatore</p>	

ZAPOZNANIE SIĘ Z NINIEJSZĄ INSTRUKCJĄ I JEJ PRZECHOWYWANIE JEST OBOWIĄZKOWE.

SPIS TREŚCI

1.	WSTĘP	74
2.	INSTRUKCJE BEZPIECZEŃSTWA	74
3.	INSTALACJA	76
3.1.	Zawartość pudełka	76
3.2.	Rozpakowywanie i instalacja	76
3.3.	Montaż paneli szklanych oraz nóżek	77
3.4.	Podłączanie i wymiana butli z gazem	77
3.5.	Instalacja przyłącza gazu	78
3.5.1.	Podłączanie i wymiana butli z gazem	78
3.5.2.	Wymiana reduktora	81
4.	INSTRUKCJA OBSŁUGI	82
4.1.	Informacje ogólne	82
4.2.	Uruchamianie urządzenia	82
4.3.	Regulacja wielkości płomienia	83
4.4.	Wyłączanie urządzenia	83
5.	SPRAWDZENIE	84
5.1.	Sprawdzanie wycieków gazu	84
5.2.	Sprawdzenie wyglądu płomienia	84
6.	KONSERWACJA	85
6.1.	Sprawdzanie i czyszczenie	85
6.2.	Czyszczenie paneli	85
7.	ROZWIĄZYWANIE PROBLEMÓW	85
8.	DANE PRODUCENTA	86
9.	SPECYFIKACJA TECHNICZNA	86

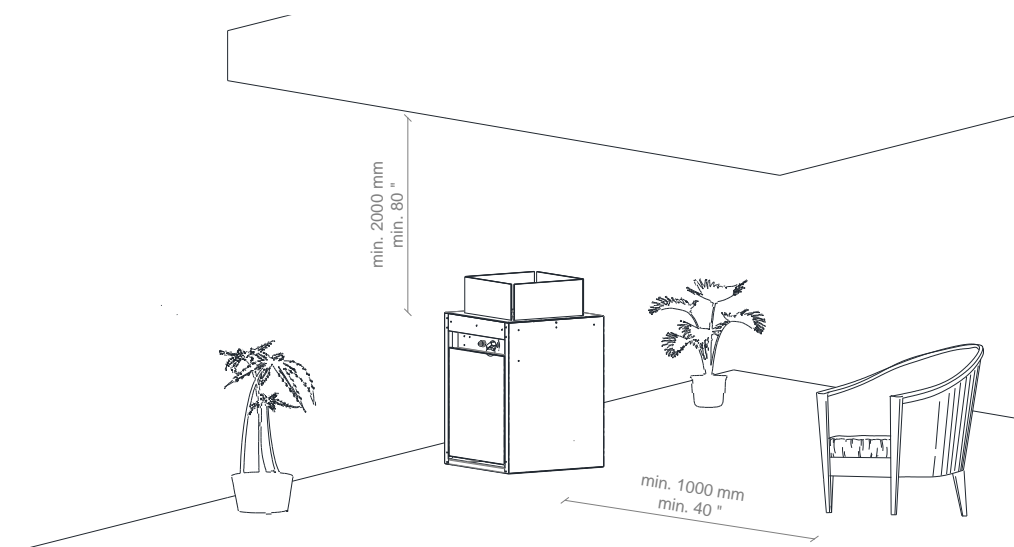
1. WSTĘP

Kominek KL 21 Square jest urządzeniem gazowym z dekoracyjnym efektem spalania przeznaczonym wyłącznie do użycia w przestrzeniach zewnętrznych. Obligatoryjnie należy dokładnie zapoznać się poniższą instrukcją instalacji i obsługi przed przystąpieniem do instalacji i użytkowania kominka Square. Niniejszą instrukcję należy zachować przez cały okres eksploatacji urządzenia.

UWAGA! Urządzenie musi być zainstalowane przez instalatora, który musi być certyfikowanym i wykwalifikowanym specjalistą w dziedzinie ogrzewania gazowego i elektryczności oraz powinien posiadać wszystkie wymagane prawem lokalnym uprawnienia. Nie zastosowanie się do powyższego warunku grozi utratą gwarancji.

2. INSTRUKCJE BEZPIECZEŃSTWA

- Przeczytaj instrukcję przed użyciem urządzenia. Należy zachować niniejszą instrukcję na przyszłość.
- Stosować tylko na wolnej przestrzeni.
- Kominek Square powinien być instalowany i kontrolowany co roku zgodnie z niniejszymi instrukcjami instalacji, a także obowiązującymi krajowymi i miejscowymi przepisami o bezpieczeństwie gazowym (instalacja i korzystanie).
- Należy sprawdzić czy dane na tabliczce znamionowej są zgodne z lokalnym typem krajowego gazu i ciśnienia.
- Nie wolno zmieniać konstrukcji urządzenia oraz jego zaplombowanych elementów, ani modyfikować ustawień fabrycznych kominka Square.
- Nie należy ustawiać dodatkowych bloków imitacyjnych ani żarzących się węgla na palniku bądź w komorze spalania.
- W pobliżu urządzenia musi znajdować się gaśnica śniegowa (CO₂) lub proszkowa.
- Przy pierwszym włączeniu, kominek Square należy na kilka godzin zapalić na maksymalnym poziomie, aby elementy wygrzały się i odparowały pozostałości farb, lakierów i smarów.
- Nie przesuwaj urządzenia w trakcie jego działania.
- Square został zaprojektowany do celów dekoracyjnych. Powierzchnia kominka Square, a także panele szklane mogą się nagrzać (do 100°C), z wyjątkiem ścian bocznych oraz panelu sterowania. **UWAGA!!!** Łatwo dostępne części urządzenia mogą być bardzo gorące. Urządzenie nie może być obsługiwane przez dzieci.
- Montaż szklanych paneli kominka Square jest wymagany do sprawnego działania urządzenia.
- Podczas pracy, urządzenie nie może znajdować się w pobliżu łatwopalnych materiałów. Materiały takie nie mogą znajdować się w promieniu 1 m od urządzenia, a także 2 m nad nim (rys. 1)



Rys. 1: Minimalna odległość od przedmiotów łatwopalnych

- Kiedy Square jest włączony, nie należy narażać go na działanie deszczu.
- Kiedy Square nie jest używany, należy chronić go przed warunkami atmosferycznymi oraz zakręcić zawór główny na butli z gazem.

- Kiedy Square nie jest używany przez długi okres czasu (np. zimą), zaleca się przechowywanie urządzenia wewnątrz.
- Elementy kominka Square są zbudowane z materiałów odpornych na rdzę.
- Nigdy nie należy pozostawiać włączonego kominka Galio Insert bez nadzoru.
- Square należy zainstalować w miejscu niedostępnym dla dzieci, osób niepowołanych i zwierząt, tak aby niemożliwy był bezpośredni kontakt z płomieniem i gorącymi częściami kominka.
- W przypadku silnego wiatru kominek Square należy bezzwłocznie wyłączyć i poczekać na ustanie silnych podmuchów wiatru.
- W przypadku wyczucia przecieków gazu należy natychmiast wyłączyć kominek i zakręcić główny zawór na butli gazowej.
- Po użyciu należy zakręcić zawór na butli z gazem.

2.1. Instrukcje bezpieczeństwa dotyczące użytkowania butli gazowej

- Należy stosować wyłącznie rodzaj gazu i ciśnienie określonych przez producenta.
- Butle gazowe powinny zawsze znajdować się w pozycji pionowej - podczas użycia i transportu.
- Zawsze umieszczaj butlę w miejscu łatwo dostępnym, aby możliwe było jej natychmiastowe zamknięcie.
- Podczas instalacji nigdy nie zbliżać płomienia ani zapalonego przedmiotu do butli gazowej.
- Butla z gazem powinna znajdować się w odległości nie mniejszej niż 1,5m od kominka Square lub w odległości określonej lokalnymi przepisami.
- Przecieki należy zlokalizować za pomocą mieszanki z płynu czyszczącego i wody. Powstające pęcherzyki powietrza oznaczają przeciek.
- Zawsze należy używać reduktora ciśnienia między butlą a urządzeniem. Wymieniać reduktor ciśnienia co 5 lat. Dopuszczalne ciśnienia: 30mbar, 37mbar (zalecane), 50mbar. Używać tylko reduktorów spełniających wymagania Europejskiej Normy EN16129
- Stosować tylko zatwierdzone i certyfikowane przewody połączeniowe gazu. Wymieniać je co 2 lata.
- Wąż elastyczny doprowadzający gaz do urządzenia poprowadzić z dala od ostrych krawędzi i gorących powierzchni. Unikać zagięć i skręceń połączeń elastycznych na całej ich długości.
- Należy pamiętać, że butla z gazem LPG powinna być instalowana w miejscach dobrze wentylowanych. Gaz LPG jest cięższy od powietrza i jego nagromadzenie się przy podłożu może prowadzić do wytworzenia się mieszanki wybuchowej.
- Obudowa, w której umieszczona jest (opcjonalnie) butla z gazem LPG, musi posiadać odpowiednią wentylację. Musi ona posiadać górny otwór wentylacyjny powyżej szczytu butli (o powierzchni min 1/100 powierzchni podstawy obudowy) oraz dolny otwór wentylacyjny przy jej podstawie (o powierzchni min 1/50 powierzchni podstawy obudowy).
- Należy zamykać butlę gazową, jeśli urządzenie nie jest używane.
- Napełnianie butli gazowych zlecać certyfikowanym stacjom napełniania gazu.
- Wymianę pustych butli na pełne należy dokonywać tylko w autoryzowanych punktach.

3. INSTALACJA

3.1. Zawartość pudełka

- 1x kominek gazowy Square
- 4x panele szklane hartowane
- 4x regulowane nóżki
- 1x bateria AAA (umieszczana pod przyciskiem zapłonu)
- 1x opakowanie z kamieniami
- 1x gumowy wąż gazowy 4m – zainstalowany
- 1x reduktor ciśnienia (37mbar) – zainstalowany
- 1x instrukcja montażu i obsługi

3.2. Rozpakowywanie i instalacja

- Zawartość kartonu należy starannie odwinąć z folii piankowej.
- Wyjąć zapakowane kamienie z paleniska oraz odłożyć je na bok.
- Usunąć styropian, który znajduje się na urządzeniu.
- Należy ostrożnie wyciągnąć urządzenie z kartonu, a następnie panele szklane, zapakowane wewnątrz kominka.
- Sprawdzić kompletność elementów w oparciu o spis elementów.
- Upewnić się czy wkład oraz jego elementy nie zostały uszkodzone podczas transportu (jeżeli tak należy zgłosić ten fakt dostawcy).
- Należy umieścić kominek Square na płaskiej, utwardzonej powierzchni zewnętrznej, najlepiej w miejscu docelowym kominka. Należy również pamiętać o zachowaniu odpowiedniego dostępu ze strony panelu sterowania (min. 1 m).
- Kamienie dekoracyjne należy rozsypać równomiernie w rynnie tak by całkowicie zakryć palenisko kominka.

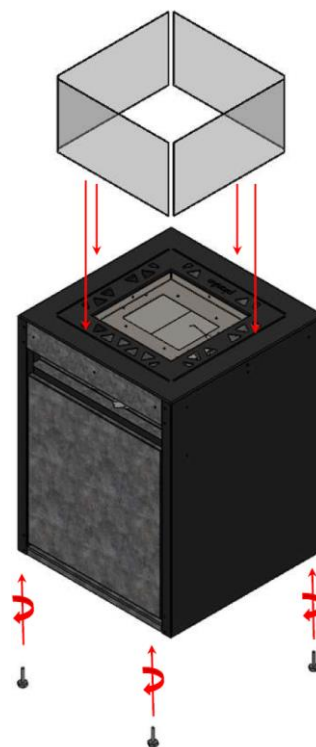


Rys. 2 – Iskrownik

- Ostrożnie zamontuj szklane panele (patrz: punkt 3.3)
- Jeżeli wszystkie poprzednie kroki zostały wykonane, można przystąpić do montażu butli z gazem.

3.3. Montaż paneli szklanych oraz nóżek

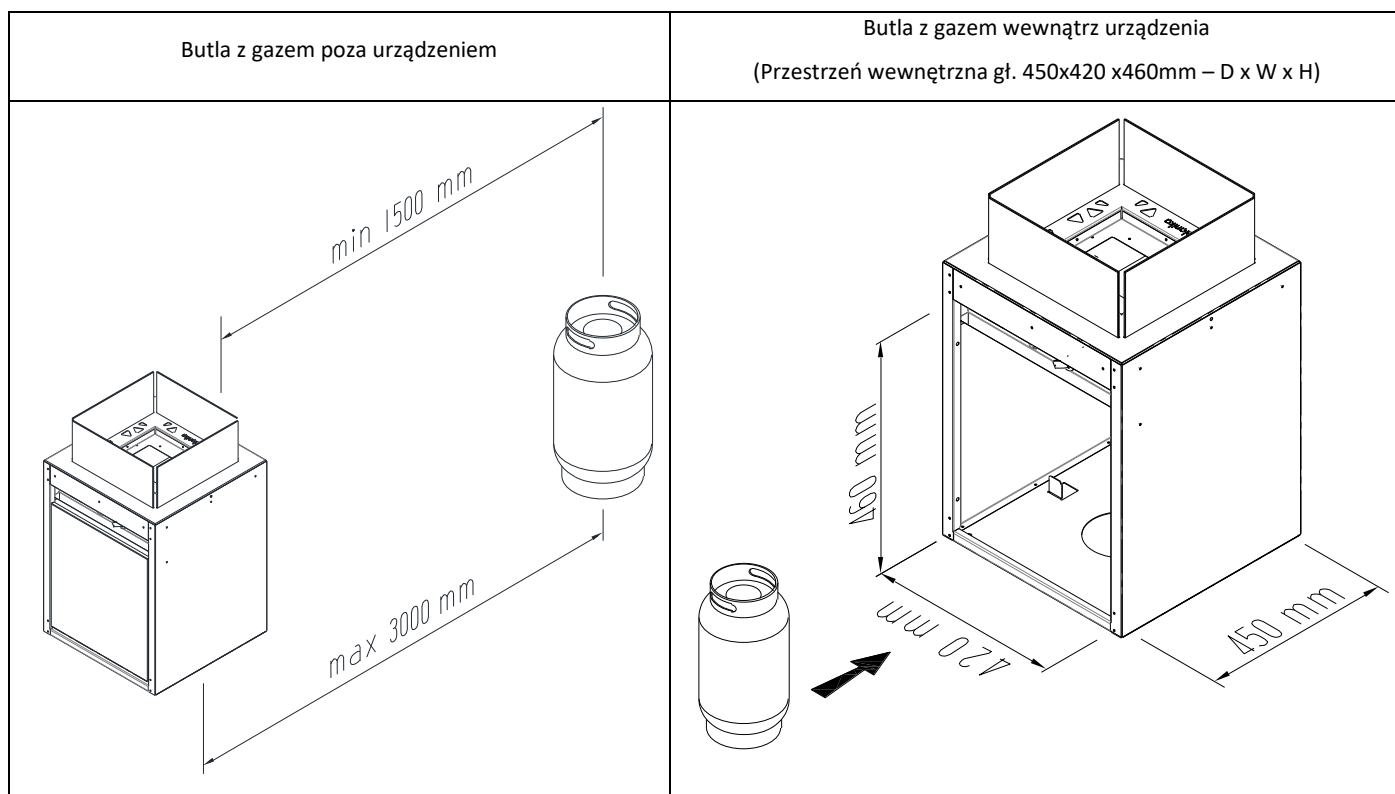
- Ostrożnie odpakuj panele szklane.
- Upewnij się, iż na panelach nie znajdują się żadne elementy lub zabrudzenia, które mogą na stałe pozostać na panelach (w szczególności odciski palców).
- Zainstaluj panele szklane oraz nóżki w odpowiednich miejscach (patrz: rys. 3).
- Panele szklane należy usuwać tylko w przypadku ich uszkodzenia.

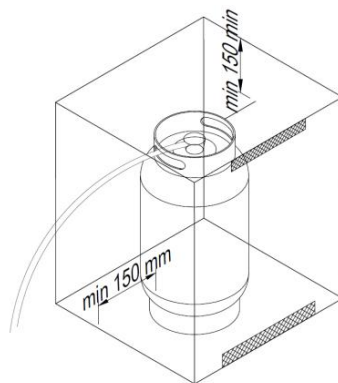


Rys. 3 – Instalacja paneli i nóżek

3.4. Podłączanie i wymiana butli z gazem

- Dołączony do wyrobu wąż gazowy pozwala na instalację butli z gazem maksymalnie 3 metry od zamontowanego panelu kontrolnego, lecz nie może ona być zainstalowana bliżej niż 1,5 m od źródła ognia. Należy stosować się do lokalnych przepisów, w przypadku, jeżeli wymagają one większej odległości między butlą a źródłem ognia. Możliwe jest podłączenie i umieszczenie wewnątrz mniejszej butli, zgodnie z poniższym rysunkiem:





Rys. 4 – Zabudowa dla butli LPG

- Opcjonalna zabudowa dla butli gazowej nie może być szczelna i musi być odpowiednio wentylowana. Obudowa musi posiadać górny otwór wentylacyjny powyżej szczytu butli (o powierzchni min 1/100 powierzchni podstawy obudowy) oraz dolny otwór wentylacyjny przy jej podstawie (o powierzchni min 1/50 powierzchni podstawy obudowy). Wymiary obudowy, w zależności od rodzaju i wymiarów użytej butli mogą się różnić, jednocześnie muszą być wystarczające do swobodnej instalacji butli z gazem.

3.5. Instalacja przyłącza gazu

UWAGA!!! Montaż i serwisowanie muszą być wykonywane przez przeszkolonego technika z odpowiednimi uprawnieniami, firma usługowa lub dostawca gazu.

Przed przystąpieniem do podłączania butli z gazem muszą być wykonane wszystkie czynności związane z poprawnym umiejscowieniem i instalacją kominka Square. Przewód gazu należy umieścić z dala od gorących i ostrych powierzchni i upewnić się, że nie jest on skręcony.

3.5.1. Podłączanie i wymiana butli z gazem

Square jest dostarczany z elastycznym przyłączem gazowym, które jest podłączone na jednym końcu do zaworu urządzenia, a na drugim do regulatora gazu, gotowego do podłączenia do butli gazowej.

Typ reduktora ciśnienia	Kraj	Typ przyłącza	Średnica wlotu	Wylot
Type A	FR, UK, IE	Clip On	27 mm	G1/4"-LH
Type B	ES, DK, NO, FI, EE, PT, CY	Clip On	35 mm	G1/4"-LH
Type C	PL, DE, LT, AL, BE, CZ, SK, SI, LV, HR, CH, UA, RS, MK, BiH	Twist On	23 mm	G1/4"-LH
Type D	IT, GR	Twist On	20 mm	G1/4"-LH

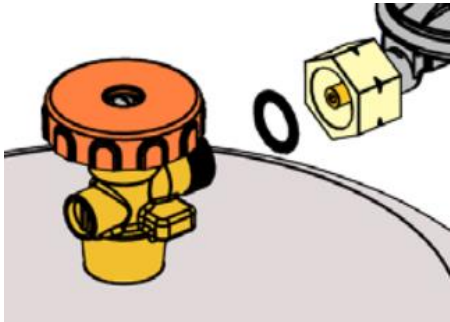
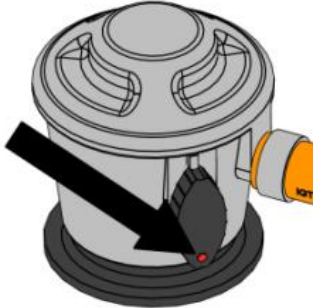

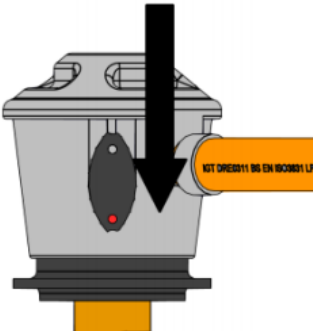
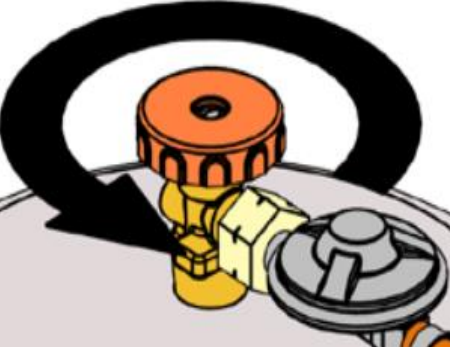
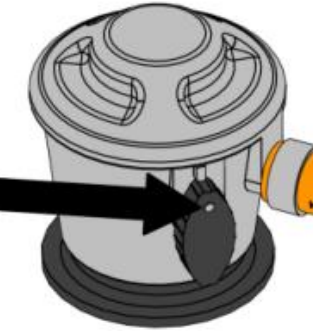
Jeśli butla gazowa ma inny rozmiar wlotu lub wymaga innego reduktora, należy zastąpić dostarczony reduktor odpowiednim reduktorem (dostępnym oddzielnie na rynku lokalnym).

UWAGA!!! NIGDY nie wykorzystuj niestabilizowanego dopływu gazu lub regulatora do innego ciśnienia gazu.

Butle z gazem posiadają złączki dwóch typów:

- Złączka nakręcana: Najważniejszą częścią jest czarna uszczelka. Zawsze sprawdzać, czy uszczelka ta jest obecna oraz czy nie została uszkodzona podczas wymiany butli. Niektóre złączki posiadają pokrętło służące do dokręcania, w innych zaś do tego celu trzeba wykorzystać klucz. Mocno dokręcić (gwint lewy). Wykorzystując klucz, nie dopuścić do przekręcenia, gdyż może to spowodować uszkodzenie uszczelki.
- Szybkozłączka: Do tego typu złązek niewymagane są jakiegokolwiek narzędzia. Regulacja włączająca/wyłączająca dopływ gazu dokonywana jest przy pomocy przełącznika na regulatorze lub na specjalnym łączniku. W przypadku wykorzystania łącznika z regulatorem gwintowym starego typu, zwróć szczególną uwagę, aby nakrętka łącząca została mocno dokręcona do łącznika przy pomocy klucza.

Podłączanie butli

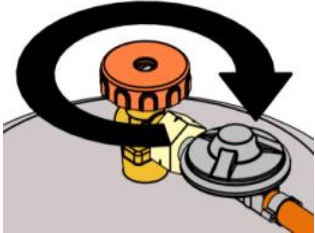
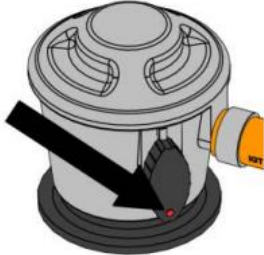

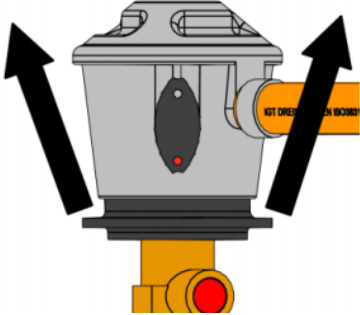
Złączka nakręcana	Szybkozłączka
<ol style="list-style-type: none">1. Sprawdź, czy zawór butli jest WYŁĄCZONY kręcąc go zgodnie z ruchem wskazówek zegara.2. Usuń nasadkę ochronną i zachowaj ją na później.4. Przed podłączeniem sprawdź, czy czarna uszczelka nie jest uszkodzona. 	<ol style="list-style-type: none">1. Zdejmij nasadkę ochronną. Nie stosuj żadnych narzędzi, pozostaw luźno wiszącą nasadkę.2. Upewnij się, że wszystkie kurki na urządzeniu gazowym są zamknięte oraz czy przełącznik jest w pozycji wyłączonej. 
<ol style="list-style-type: none">5. Dopasuj nakrętkę łączącą do cylindra przy pomocy właściwego klucza lub łączącego pokrętkła. (Gwint lewy). Nie dopuść do przekręcenia złączy butli z gazem. 	<ol style="list-style-type: none">3. Umieść „szybko mocujący” regulator na zaworze i mocno naciśnij w dół. Jeśli przełącznik jest prawidłowo zamknięty, będzie można usłyszeć charakterystyczne kliknięcie. 
<ol style="list-style-type: none">6. Gdy wymagane jest włączenie dopływu gazu, przekręć zawór butli w kierunku przeciwnym do ruchów wskazówek zegara. 	<ol style="list-style-type: none">4. Aby włączyć dopływ gazu, przekręć przełącznik do pozycji ON (lub symbolu płomienia). 

- Ustawić butlę gazową w odpowiedniej odległości od kominka (min 1,5m)

UWAGA!!! Należy sprawdzić całe przyłącze gazu pod kątem ewentualnych wycieków. Jeżeli cokolwiek wskazuje na istnienie nieszczelności (np. charakterystyczny zapach gazu) zamknąć zawór na butli i pod żadnym pozorem nie włączać urządzenia przed usunięciem nieszczelności (patrz: sekcja 5.1)

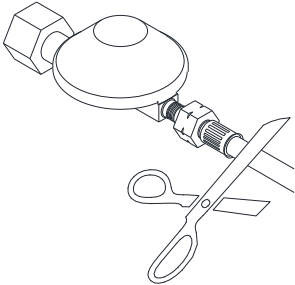
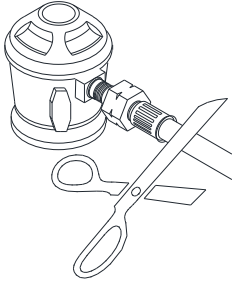
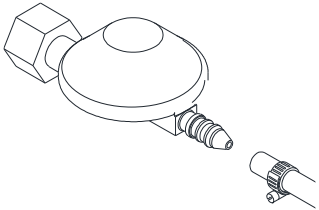
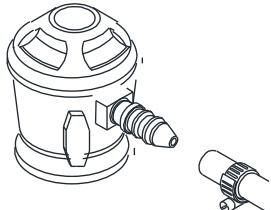
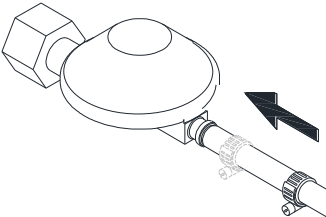
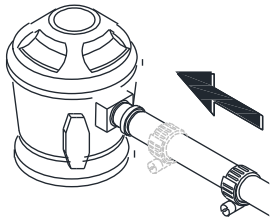
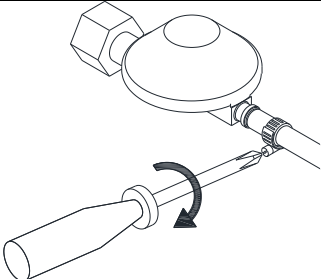
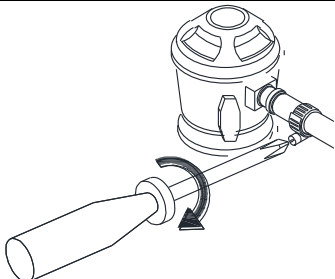
- Po usunięciu nieszczelności można ponownie otworzyć zawór na butli gazowej.

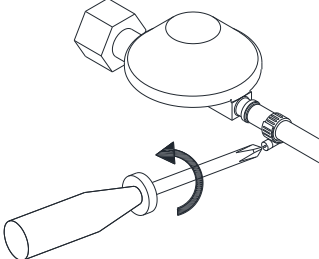
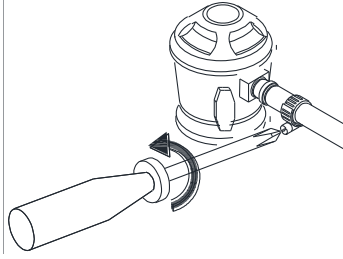
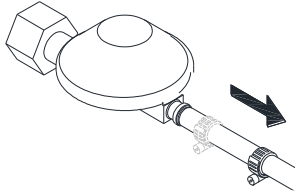
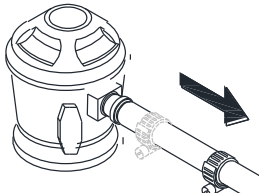
Odfacanie butli

Złączka nakręcana	Szybkozłączka
<p>1. Wyłącz urządzenie – Pozycja OFF. Palnik główny i pilotowy muszą być wyłączone.</p> <p>2. Przekręć zawór butli na pozycję WYŁĄCZONĄ (zgodnie z ruchem wskazówek zegara).</p> 	<p>2. Przekręć przełącznik na pozycję WYŁĄCZONĄ – OFF.</p> 
<p>3. NIGDY NIE ZDEJMUJ regulatora (lub nakrętki łączącej) przy otwartym zaworze butli.</p> <p>4. ZDEJMIJ regulator (lub nakrętkę łączącą) przy pomocy klucza lub łączącego pokrętła. (Gwint lewy).</p> 	<p>3. Zdejmij „szybko łączący” regulator poprzez poziome naciśnięcie przełącznika i jednocześnie pociągnięcie w górę całego regulatora.</p> 
<p>5. WYMIENIĆ zaślepkę lub nasadkę na pustej butli lub częściowo wypełnionej butli, jeśli nie jest ona używana.</p>	<p>4. WYMIENIĆ nasadkę uszczelniającą na pustej butli lub częściowo wypełnionej butli, jeśli nie jest ona używana.</p>

3.5.2. Wymiana reduktora

1. Zawsze należy używać reduktora ciśnienia między butlą a urządzeniem. Wymieniać reduktor ciśnienia co 5 lat. Dopuszczalne ciśnienia: 30mbar, 37mbar (zalecane), 50mbar. Używać tylko reduktorów spełniających wymagania Europejskiej Normy EN16129.
2. Wyłącz Square – Pozycja OFF. Palnik główny i pilotowy muszą być wyłączone.
3. Odłącz regulator od butli gazowej (opis powyżej).

	Złączka nakręcana	Szybkozłączka
4. Odetnij przewód reduktora. Jeżeli posiadasz reduktor z opaską zaciskową, przejdź do kroku 4.1 (poniżej).		
5. Wymień reduktor na nowy, posiadający opaskę zaciskową.		
6. Załóż nowy wąż z opaską na króciec reduktora.		
7. Zamocuj opaskę za pomocą śrubokręta (philips) lub klucza płaskiego. UWAGA! W przypadku widocznego uszkodzenia opaski, należy wymienić ją na nową.		

	Złączka nakręcana	Szybkozłączka
4.1. Poluzuj za pomocą śrubokręta (philips) lub klucza płaskiego metalową opaskę zaciskową.		
4.2. Przesuń opaskę zaciskową poniżej króćca reduktora gazu. Następnie postępuj zgodnie z instrukcjami od punktu 5.		

4. INSTRUKCJA OBSŁUGI

4.1. Informacje ogólne

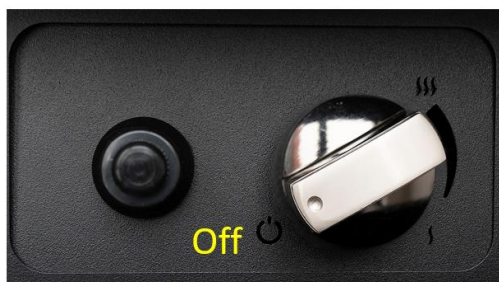
Square wyposażony jest w zawór sterujący z wbudowanym zapłonem głównego palnika (bez płomienia pilota) oraz płynną regulacją wysokości płomienia paleniska głównego, która regulowana jest za pomocą pokrętła. Obok pokrętła znajduje się elektryczny przycisk zapłonu (zasilany baterią AAA). Panel sterowania znajduje się nad drzwiami komory butli z gazem.



Rys. 5 – Pokrętło

4.2. Uruchamianie urządzenia

- Upewnij się, że pokrętło znajduje się w pozycji „OFF” (do oporu, zgodnie z kierunkiem ruchu wskazówek zegara).



Rys. 6 – Kominiek wyłączony

- Otworzyć zawór na butli gazowej.
- Naciśnij pokrętło i jednocześnie naciskając, obróć je w kierunku przeciwnym do ruchu wskazówek zegara z pozycji (1) do pozycji (2).



Rys. 7 – Włączanie urządzenia

- Przytrzymując pokrętkę, zapal płomień na palenisku naciskając przycisk iskrownika (3).



Rys. 8 – Proces włączania

- Pojawi się iskra, która zapali płomień na palniku głównym na minimalnym jego poziomie. Jeśli płomień nie zapalił się powtórz ten proces 2-3 razy. Będzie to szczególnie wymagane po wymianie i montażu nowej butli z gazem LPG.
- Kiedy płomień zostanie zapalony trzymaj pokrętkę zapłonową jeszcze przez ok 5 s aż do momentu rozgrzania się termopary, która będzie podtrzymywała zawór główny w pozycji otwartej.
- Można teraz puścić pokrętkę. Jeśli jednak płomień zgaśnie, należy powtórzyć proces jeszcze raz aż do momentu stabilnego rozpalenia płomienia na palniku.

UWAGA!!! Po 2-3 nieudanych próbach przerwij i sprawdź połączenia. Ponów próby po 10 min. Jeśli zainstalowana butla z gazem jest nowa lub kominek nie był używany przez dłuższy okres czasu, najpierw trzeba wypuścić powietrze z przewodu gazowego. W tym przypadku konieczne będzie przeprowadzenie kilku prób, aż do stabilnego zapłonu płomienia.

4.3. Regulacja wielkości płomienia

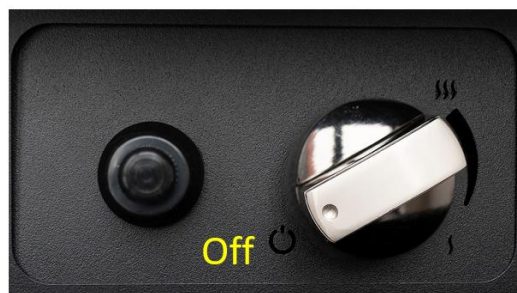
- Gdy płomień na palniku jest już włączony, żądaną wysokość płomienia można regulować, obracając pokrętkę zgodnie lub przeciwnie do ruchu wskazówek zegara.
- Dla uzyskania wyższego płomienia, obróć pokrętkę przeciwnie do ruchu wskazówek zegara do pozycji „Hi”. Aby uzyskać niższy płomień, przekręć pokrętkę zgodnie z ruchem wskazówek zegara do pozycji „Lo” (Rys. 9).



Rys. 9 – Regulacja wysokości płomienia

4.4. Wyłączenie urządzenia

- Aby wyłączyć urządzenie, naciśnij i obróć, do oporu, pokrętkę zgodnie z ruchem wskazówek zegara do pozycji „OFF”. Dopływ gazu zostanie odcięty, a płomień na palniku zostanie wyłączony.



Rys. 10 – Wyłączenie urządzenia

- Zamknij także zawór na butli gazowej.

4.5. Wymiana baterii

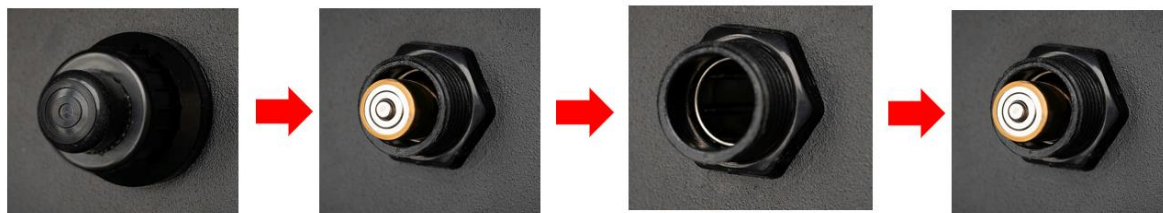
Jeżeli baterie są niepoprawnie zainstalowane, iskrownik może zostać nieodwracalnie uszkodzony. Należy wymieniać baterie tylko gdy urządzenie jest wyłączone.

Bateria umieszczona jest w pojemniku znajdującym się na panelu sterowania obok pokrętki regulacji płomienia.

- Odkręć przycisk zapłonu.
- Wyjmij baterię i włóż nową do pojemnika.

UWAGA! Należy pamiętać o prawidłowej polaryzacji wymienianej baterii.

- Przykręć ponownie pokrywę pojemnika na baterie.



Rys. 11 – Wymiana baterii

5. SPRAWDZENIE

UWAGA!!! NIGDY NIE ODPALAJ KOMINKA JESLI WYCZUWALNY JEST CHARAKTERYSTYCZNY ZAPACH GAZU.

Jeśli wyczujesz gaz podczas gdy kominek jest w trybie pracy, natychmiast należy wyłączyć urządzenie i odciąć dopływ gazu z butli gazowej przez zakręcenie jej zaworu.

5.1. Sprawdzanie wycieków gazu

- Należy sprawdzić wszystkie połączenie pod kątem szczelności.
- Aby to wykonać, należy zmoczyć wszystkie połączenie wodą z mydłem (lub innym pieniącym się środkiem) lub specjalistycznym środkiem w sprayu do wykrywania nieszczelności.
- Jeśli widoczne będą pojawiające się pęcherzyki, oznacza to, że w tym miejscu jest przeciek.
- Usunąć nieszczelności w miejscach przecieków.
- Ponownie sprawdzić szczelność.
- Po kontroli należy wysuszyć sprawdzane przyłącza.
- Urządzenie można użyć ponownie dopiero po usunięciu wszystkich przecieków.
- **Jeśli problem będzie się pojawiał skontaktuj się z dystrybutorem.**

5.2. Sprawdzenie wyglądu płomienia.

- Zapalić urządzenie na maksymalnym poziomie i sprawdzić wygląd płomienia.
- Jeśli widoczne są wyraźne przerwy lub znaczące różnice w wysokości płomienia, wyłącz kominek i po wystudzeniu popraw rozmieszczenie kamieni dekoracyjnych tak, aby były one równomiernie rozłożone na całej powierzchni palnika głównego.
- Odpal kominek i ponownie sprawdź wygląd płomienia palnika głównego.

6. KONSERWACJA

6.1. Sprawdzanie i czyszczenie

Należy sprawdzić i wyczyścić w razie konieczności:

- Główny palnik (w razie potrzeby usunąć pokruszone części kamieni i powstały pył).
- Termoparę (w razie potrzeby usunąć powstały osad). W razie widocznych uszkodzeń skontaktuj się z dystrybutorem.
- Panele szklane – pod kątem zanieczyszczeń lub ewentualnych zadrapań i pęknięć. W przypadku wykrycia pęknięć należy wymienić panele na nowe. W tym celu skontaktuj się z dystrybutorem.
- Przewód gazowy i reduktor ciśnienia (w razie przekroczenia daty ważności, wymienić podzespoły na nowe).
- Jeśli pojawią się problemy z regulatorem, przewodem gazu, palnikiem lub zaworami regulacyjnymi, nie próbuj naprawiać tych części. Skontaktuj się ze sprzedawcą, autoryzowanym serwisem lub importerem w celu uzyskania części zamiennych. Aby zapewnić optymalną wydajność urządzenia, stosuj wyłącznie oryginalne części zamienne.

6.2. Czyszczenie paneli

Większość powstałych osadów można usunąć suchą ściereczką. W przypadku większych zabrudzeń do czyszczenia szyby można użyć płynu do czyszczenia płyt ceramicznych lub szyb okiennych. Należy zawsze dobrze wysuszyć szybę, ponieważ powstałe na jej powierzchni zacieki mogą nieodwracalnie wtopić się w szkło.

UWAGA!!! Należy unikać pozostawiania odcisków palców na szybie. Zostaną one na niej wypalone po uruchomieniu urządzenia i nie będzie można ich usunąć.

7. ROZWIĄZYWANIE PROBLEMÓW

Uwaga! Montaż, naprawy i serwisowanie musi wykonywać przeszkolony monter z odpowiednimi uprawnieniami, firma usługowa lub dostawca gazu.

USTERKA	MOŻLIWA PRZYCZYNA	NAPRAWA
ZAPACH GAZU	ZAMKNIJ NATYCHMIAST ZAWÓR GAZU NA BUTLI. NIE UŻYWAJ URZĄDZENIA DO USUNIĘCIA WYCIEKÓW	
Wyciek na butli, reduktorze lub innym połączeniu.	1. Luźne złącze regulatora. 2. Wyciek w wężu gazowym, regulatorze lub kurkach gazowych.	1. Dokręć i zrób test 2. Zgłoś się do centrum serwisowego.
Palnik nie zapala się	1. Pusta butla. 2. Przewód zapalnika niepodłączony. 3. Brak iskry zapalającej 4. Elektroda zapalnika źle ustawiona względem palnika. 5. Dysze zablokowane 6. Wąż gazowy jest skręcony. 7. Połączenie regulatora luźne	1. Wymień butlę. 2. Podłącz przewód. 3. Wymiana 4. Ustaw elektrodę. 5. Wymontuj palnik, wyczyść dysze. 6. Wyprostuj wąż. Utrzymuj wąż z dala od obudowy. 7. Dokręć połączenie. Sprawdź wyciek.
Brak iskry	1. Przerwa w obwodzie elektrycznym. 2. Awaria modułu elektronicznego 3. Usterka elektrody 4. Zużyta bateria	1. Podłącz przewód. 2. Wymiana 3. Wymiana 4. Wymiana baterii
Słabnąca wydajność, "strzelający" odgłos	1. Pusta butla. 2. Dysze palnika zablokowane.	1. Wymień butlę. 2. Wymontuj palnik, wyczyść dysze.
Huczący odgłos regulatora.	Zawór cylindra otwarty gwałtownie.	Odkręcaj zawór butli powoli.
Intensywnie pomarańczowy i dymiący płomień palnika.	Zablokowane otwory w aparacie wytwarzającym mieszkankę gaz/powietrze	Wymontuj palnik i wyczyść/odblokuj otwory aparatu.

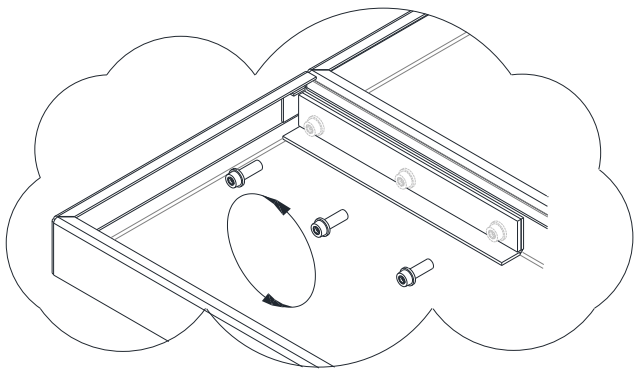
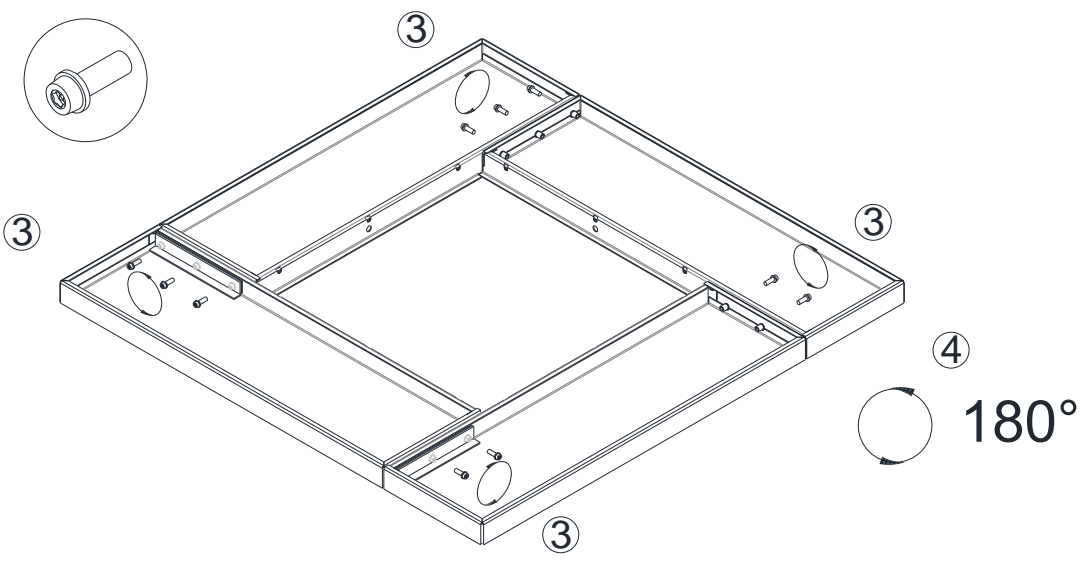
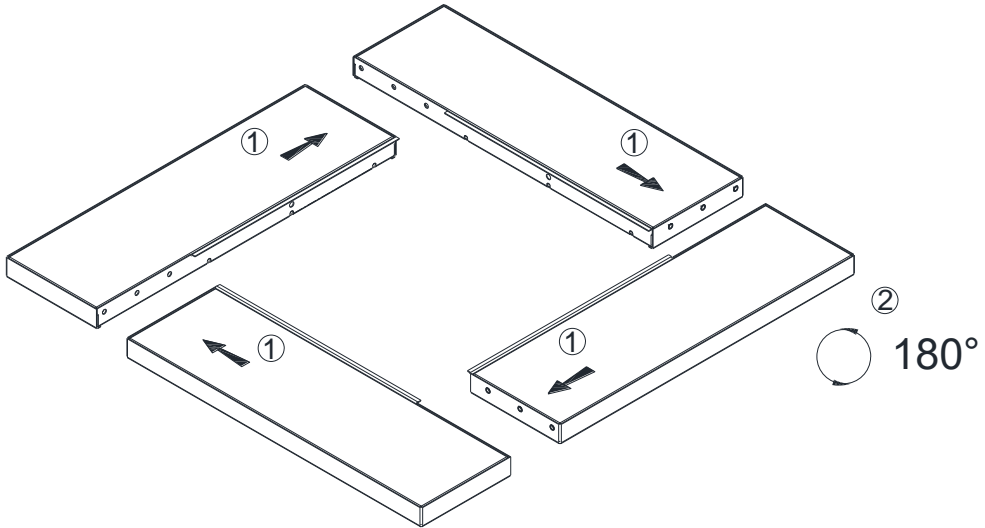
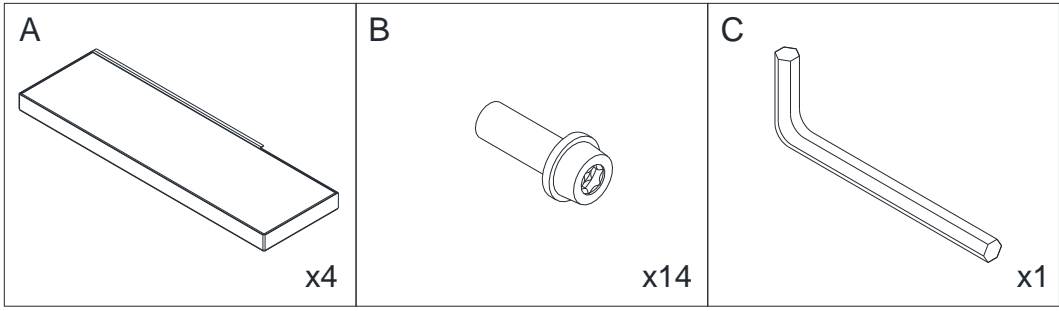
8. DANE PRODUCENTA

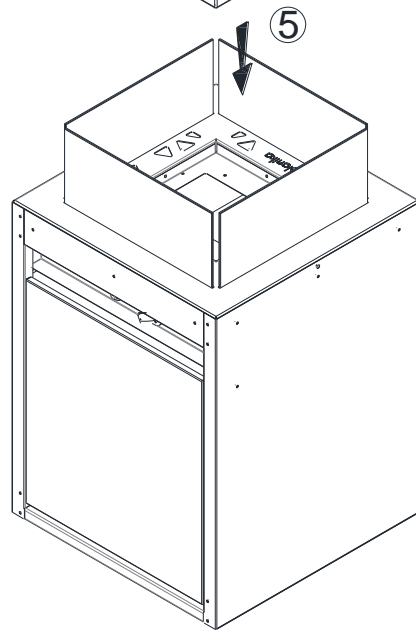
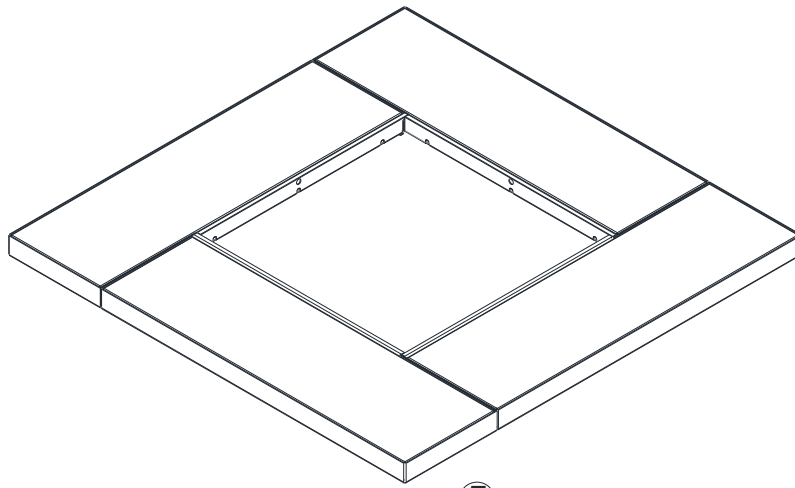
Nazwa firmy: Planika Sp. z o.o.
 Adres: Bydgoskich Przemysłowców 10
 Telefon: + 48 52 364 11 60

9. SPECYFIKACJA TECHNICZNA

Typ urządzenia		I3P			I3B/P			I3+	
Kategoria gazu		G31			G30			G30	G31
Ciśnienie nominalne	[mbar]	30	37	50	30	37	50	28-30	37
Dysza głównego palnika	[mm]	1,4			1,4			1,4	
Zużycie gazu	[kg/h]	0,5	0,55	0,65	0,5	0,55	0,65	0,5	0,55
Nom. Input (Hi)	[kW]	6,4	7	8,3	6,4	7,8	9,1	7,4	7,4
Nom. Input (Hs)	[kW]	7	7,7	9,0	8	8,5	10	8	8
Urządzenie zabezpieczające	Termopara								
Zawór gazowy	BS190								
Przyłącze gazu (4 m)	Ø9mm								

SPRZEDAWCA	
Nazwa:	Pieczeń i podpis Sprzedawcy
Adres:	
Tel/fax:	
Data sprzedaży:	
NABYWCA	
Nazwa:	
Adres:	
Tel/fax:	
Data kupna:	
<p>Kominek gazowy powinien być zainstalowany przez Instalatora posiadającego stosowne uprawnienia, zgodnie z obowiązującymi w Kraju przeznaczenia przepisami i regulacjami prawa budowlanego oraz zgodnie z wytycznymi zawartymi w Instrukcji Montażu i Obsługi.</p>	
<p>Oświadczam, iż zapoznałem się z Instrukcją Obsługi oraz Warunkami Gwarancji.</p> <p>Data i czytelny podpis Nabywcy</p>	
INSTALATOR	
Nazwa:	Pieczeń i podpis Instalatora
Adres:	
Tel/fax:	
Data uruchomienia:	
<p>Potwierdzam, iż zainstalowany przez moją Firmę kominek gazowy zainstalowany został zgodnie z obowiązującymi przepisami i regulacjami prawa budowlanego oraz zgodnie z wytycznymi zawartymi w instrukcji montażu i obsługi.</p> <p>Zainstalowany wkład jest gotowy do bezpiecznego użytkowania.</p>	





2 x

