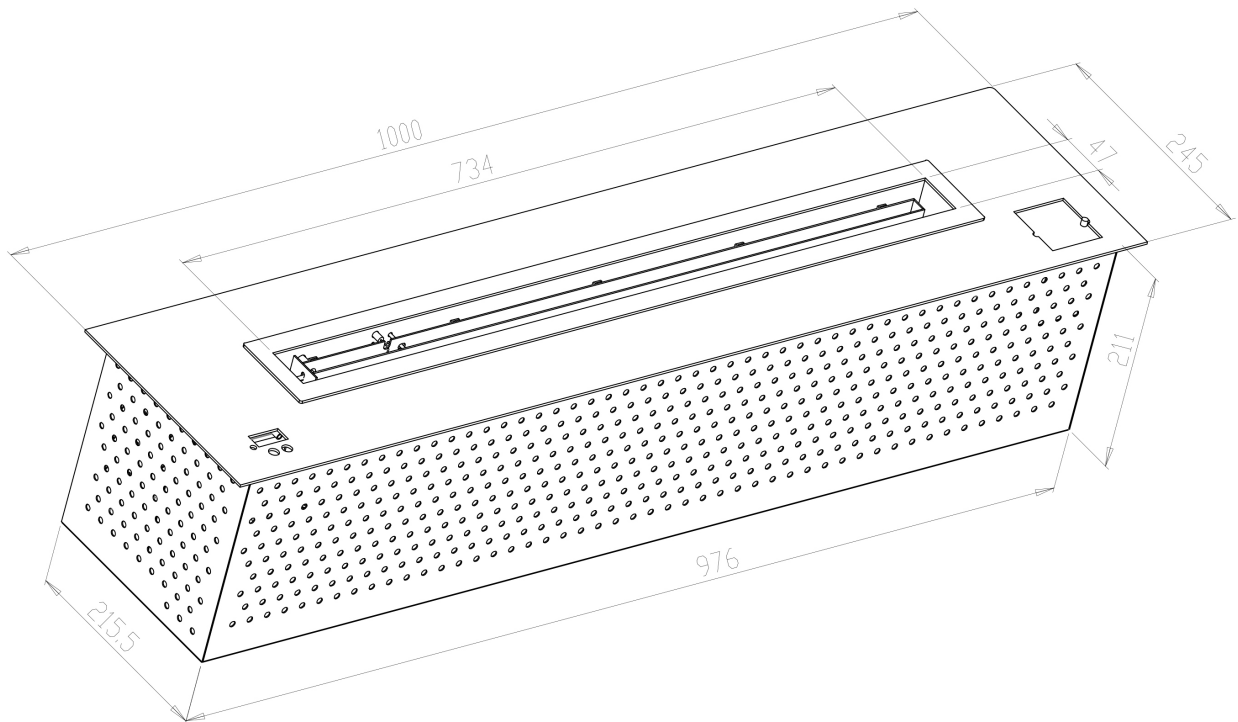




BIO397



TECHNICAL SPECIFICATIONS

Type	Automatic bioethanol burner
Size	Height: 211 mm / Width: 1000 mm / Depth: 245 mm
Materials	Steel
Weight	24 kg.
Burner	Automatic bioethanol burner (Burner width: 1000 mm / Flame width: 734 mm)
Capacity	13,5 Liter
Usage	Approx 1,0 L/h - Up to 13,5 hours per filling
Fuel	Bioethanol (Recommended 96,6% alcohol)
Colour	Black and steel
Heat Output	6,20 kW
Electricity	Yes