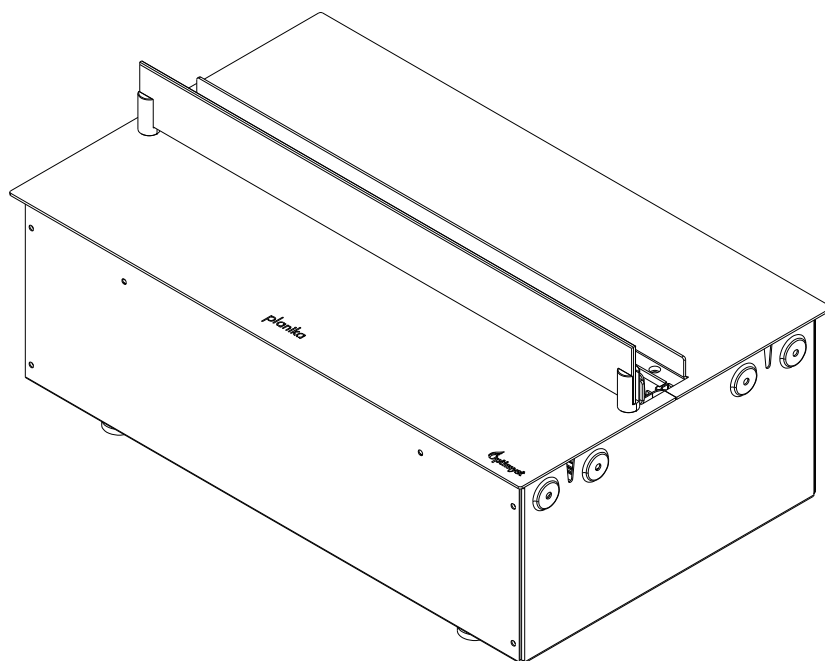


### EN Installation manual



#### **WARNING / WARNUNG / ADVERTENCIA / AVERTISSEMENT / ATTENZIONE / OSTRZEŻENIE / ВНИМАНИЕ**

**EN** This Manual only applies to the installation of Cool Flame 500, 1000 Pro Insert only. The operation of the product in casing is included in other manual

**DE** Dieses Handbuch gilt nur für die Installation von Cool Flame 500, 1000 Pro Insert. Der Betrieb des Produkts im Gehäuse wird in einem anderen Handbuch beschrieben.

**ES** Este manual sólo es aplicable a la instalación de Cool Flame 500, 1000 Pro Insert. El funcionamiento del producto en carcasa se incluye en otro manual

**FR** Ce manuel s'applique uniquement à l'installation des Cool Flame 500, 1000 Pro Insert. Le fonctionnement du produit en boîtier fait l'objet d'un autre manuel.

**IT** Il presente manuale si applica solo all'installazione di Cool Flame 500, 1000 Pro Insert. Il funzionamento del prodotto in involucro è incluso in altri manuali.

**PL** Niniejsza instrukcja dotyczy wyłącznie instalacji urządzeń Cool Flame 500, 1000 Pro Insert. Obsługa produktu w obudowie jest opisana w innej instrukcji.

**RU** Данное руководство относится только к установке Cool Flame 500, 1000 Pro Insert. Эксплуатация изделия в корпусе описана в другом руководстве

This product complies with all the required Product Safety, Electromagnetic Compatibility and Environmental Standards. This product is fully compliant with the LVD, EMC, RoHS and Eco Design Directives.

## Table of contents

1. IMPORTANT INFORMATION .....	3
2. GENERAL INFORMATION .....	4
3. WATER QUALITY & CLEANING .....	4
4. INSTALLATION INSTRUCTIONS.....	5
5. COMMISSIONING/INITIAL PRODUCT START-UP .....	7
6. MULTIPLE PRODUCT INSTALLATION (DAISY CHAINING).....	7
8. OPERATING THE PRODUCT.....	8
9. MANUAL & REMOTE CONTROL OPTIONS .....	9
10. MAINTENANCE.....	10
11. TROUBLESHOOTING .....	12
12. ADDITIONAL INFORMATION.....	13
13. PATENT / PATENT APPLICATION.....	13
14. APPENDIX.....	14

# 1. IMPORTANT INFORMATION

This product is only suitable for well insulated rooms or occasional use.

Please read this information guide carefully to be able to safely install, use and maintain your product.

Failure to follow these instructions may cause injury and/or damage and may invalidate your guarantee.

When using electrical appliances, Pro precautions should always be followed to reduce the risk of fire, electrical shock and injury to persons, including the following:

- If the appliance is damaged, check with the supplier before installation and operation.
- Do not use this appliance if it has been dropped.
- Do not use outdoors.
- Do not use in the immediate surroundings of a bath, shower or swimming pool.
- Do not locate the appliance immediately below a fixed socket outlet or connection box.
- Do not use this appliance in series with a thermal control, a program controller, a timer or any other device that switches on the heat automatically, since a fire risk exists when the heater is accidentally covered or displaced.
- Use this appliance on a horizontal and stable surface.

This appliance can be used by children aged from 8 years and above and persons with reduced physical, sensory or mental capabilities or lack of experience and knowledge if they have been given supervision or instruction concerning use of the appliance in a safe way and understand the hazards involved. Children shall not play with the appliance. Cleaning and user maintenance shall not be made by children without supervision.

Children aged from 3 years and less than 8 years shall only switch on/off the appliance provided that it has been placed or installed in its intended normal operating position and they have been given supervision or instruction concerning use of the appliance in a safe way and understand the hazards involved. Children aged from 3 years and less than 8 years shall not plug in, regulate and clean the appliance or perform user maintenance.

Children of less than 3 years should be kept away unless continuously supervised.

**CAUTION:** Some parts of this product can become very hot and cause burns. Particular attention has to be given where children and vulnerable people are present.

Although this appliance complies with safety standards, we do not recommend its use on deep pile carpets or on long hair type of rugs. Ensure that furniture, curtains or other combustible material are positioned no closer than 1 meter from the appliance.

The appliance must be positioned so that the plug is accessible. In the event of a fault unplug the appliance. Unplug the appliance when not required for long periods.

If the supply cord is damaged it must be replaced by the manufacturer or service agent or a similarly qualified person in order to avoid a hazard. Keep the supply cord away from the front of the appliance.

**WARNING:** This appliance must be earthed.

**WARNING:** In order to avoid overheating, do not cover the appliance. Do not place material or garments on the appliance, or obstruct the circulation around the appliance.

The appliance carries a DO NOT COVER warning symbol.

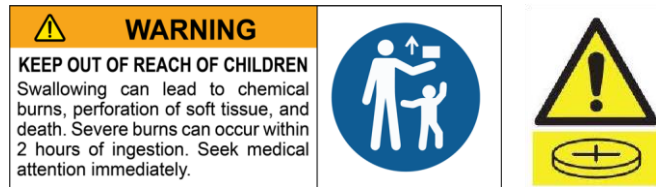


**WARNING:** Risk of fire - We do not recommend the use of this appliance connected through an extension lead or any external switching device such as a plug in timer or remote control plug in adaptor. All heating appliances draw high current through the mains supply and any weakness in the design, connections or components in these devices can easily result in overheating of the connection points resulting in melting, distortion and even the risk of fire!

**WARNING:** This appliance is not equipped with a device to control the room temperature. Do not use this appliance in small rooms when they are occupied by persons not capable of leaving the room on their own, unless constant supervision is provided.

**WARNING:** KEEP BATTERIES OUT OF REACH OF CHILDREN

1. Swallowing may lead to serious injury in as little as 2 hours or death, due to chemical burns and potential perforation of the oesophagus.
2. If you think batteries might have been swallowed or placed inside any part of the body seek immediate medical attention
3. Examine devices and make sure the battery compartment is correctly secured, e.g. that the screw or other mechanical fastener is tightened. Do not use if the compartment is not secure.
4. Dispose of used button batteries immediately and safely. Flat batteries can still be dangerous.



**CAUTION:** No obvious symptoms

Unfortunately, it is not obvious when a button or coin battery is stuck in a child's oesophagus (food pipe). There are no specific symptoms associated with this. The child might:

- cough, gag or drool a lot;
- appear to have a stomach upset or a virus;
- be sick;
- point to their throat or stomach;
- have a pain in their abdomen, chest or throat;
- be tired or lethargic;
- be quieter or more clingy than usual or otherwise “not themselves”;
- lose their appetite or have a reduced appetite; and
- does not want to eat solid food/be unable to eat solid food.

These sorts of symptoms vary or fluctuate, with the pain increasing and then subsiding.

A specific symptom to button and coin battery ingestion is vomiting fresh (bright red) blood. If the child does this seek immediate medical help.

The lack of clear symptoms is why it is important to be vigilant with “flat” or spare button or coin batteries in the home and the products that contain them.

## 2. GENERAL INFORMATION

Unpack the appliance carefully and retain the packaging for possible future use, in the event of moving or returning the fire to your supplier.

The appliance is a flame effect only. The appliance is designed to be built into a surround or built into a wall.

Please note: Used in an environment where background noise is very low, it may be possible to hear a sound which is related to the operation of the flame effect. This is normal and should not be a cause for concern.

This product contains and utilises water as an aspect of its operation, the adherence to the cleaning requirement as detailed within the instructions is necessary to ensure that risk/s through bacterial proliferation are minimised.

Please refer to the Maintenance section in the following instruction booklet for details on the cleaning.

Once installed, never move this appliance or lay on its back, without draining the water from sump and water tank.

## 3. WATER QUALITY & CLEANING

Normal clean tap water should be used in this device. In areas with hard water, a water softener (decalcifier) is recommended and more frequent cleaning and maintenance may be required. It is additionally recommended that if this unit is connected to a water supply, that it becomes included within any Legionella assessment.

The product is provided with an in-line mesh filter to help remove contaminants and extend the life of the product.

Unfiltered water supplied from a well or another unmonitored supply is not recommended. The water tank, sump, sump lid, tank cap and air filters must be cleaned once every week, particularly in hard water areas. This is to remove dirt and prevent build up of limescale which could damage the product.

If you intend not using the appliance for longer than a week, drain the water from sump and water tank and dry the sump.

Ensure any soap/cleaning detergents if used are rinsed off fully to remove any residue before reusing parts. Do not use any harsh or corrosive chemicals for cleaning as these could damage the parts.

The sump and the water tank in this product are treated with a biocidal product, Silver Biocide. This conforms to the latest relevant ISO standard.

Do not drink the water from the sump or from the water tank(s).

## **4. INSTALLATION INSTRUCTIONS**

This section describes how to install and set up your fire. Before you start:

- Ensure that all packing items are removed (read any warning labels carefully) and retain all packing for possible future use.
- Before connecting the appliance, check that the supply voltage is the same as that stated on the appliance.

### **CONNECTIONS REQUIRED IN ADVANCE OF INSTALLATION ELECTRICAL CONNECTION**

Please ensure a 230/240V 16A power socket is located within 1m of the product. The electrical connection should be accessible during product installation so that the connection can be made to the product easily.

### **WATER CONNECTION**

Please ensure a water connection is located within 1m of the product. The water connection should be one of the following:

A male ¾ inch BSP connection (same as a standard supply for a washing machine)  
A male ½ inch BSP connection (Fig 26)

Both the water and electrical connections should be accessible during product installation so that the connections can be made to the product easily.

### **BUILDING THE PRODUCT SURROUND/ENCLOSURE**

This product can be built into a wall, surround or structure. Please take note of the product dimensions (Fig.1) and build your wall, surround or structure accordingly. Suitable clearance should be provided to allow the product to be installed easily.

You are required to leave a minimum of 400mm from the base of the fuel bed to any shelf/enclosure above the product (Fig. 2). This will allow enough space above the product to allow the flame effect to form fully and not to be obstructed. When determining a location for the product, ensure that the unit will not be susceptible to drafts, vents, ceiling fans and other air currents. Similar to a candle, large movements of air will affect the unit's ability to create and maintain the flame effect. If the desired location is susceptible to significant air movement, i.e. air vents, the different installation options illustrated in Fig 2 has to be used (Additional glass shield has to be assembled behind the steam rail)

### **VENTILATION**

This product needs free ventilation from underneath to operate correctly. There are slots on the underside of the product to allow this free air through the product. The free ventilation helps keep the electronic components cool and allows the mist to rise and leave the product. Please see Fig 3 & 4 for examples of the required ventilation. Please take note of the requirement for a ventilation opening on the shelf where the product sits, to allow a clear path for the air to get to the product.

**Cool Flame Insert 500 Pro, Free Ventilation Area: Minimum 210cm<sup>2</sup>**

**Cool Flame Insert 1000 Pro Free Ventilation Area: Minimum 420cm<sup>2</sup>**

## **WATER CONNECTION**

It is recommended that you consult a qualified plumber to ensure a safe and secure installation.

Two adaptors have been supplied with the product to connect the ¼" blue PVC pipe of the product to mains water (Fig 26.1). Either the white ½ inch or the grey ¾ inch adaptor can be used to connect the product to the mains. For reference, the ¾ inch adaptor is the same connection used on most washing machine supplies. Once the correct mains water connection has been installed, follow the steps below to connect your product to the water supply.

1. With the water supply turned off, connect the correct adaptor to the main water supply. (Fig 26.1)
2. Position the water filter (Fig 26.5) in a suitable location. This will need to be accessed for future replacement. The two fixing clips can be used to fix the filter to a solid surface, if required.
3. Using a sharp knife or blade, cut two lengths of the blue PVC pipe. One length (Fig 26.2) should be long enough to travel from the adaptor at the main supply to the ball valve (Fig 26.3). The second length (Fig 26.4) should be long enough to travel from the ball valve to the inlet of the filter. When cutting the pipe, ensure that the end of the tubing is cut square to prevent leaking.
4. Insert the cut pipe into the fittings, ensuring each one is pushed in fully. About 12mm of the end of the pipe should be inserted into each fitting. When inserting pipe into the filter, take note of the flow direction on the filter and ensure the pipe from the main supply is fitted to the inlet of the filter.
5. Following the same steps above, cut a length of pipe (Fig 26.6) from the outlet of the water filter to the ball valve which has been supplied already connected to the product (Fig 26.7).
6. Before connecting the pipe to the ball valve on the product, flush out the newly plumbed pipe by opening the valve and allowing water to flow. This is to prevent any debris from the installation from entering the product. Once the piping has been flushed out, connect the pipe into the ball valve on the product.
7. Before fully installing the product, inspect all water connections by opening each of the valves in turn and ensuring that no leaks are present.

### **Water Connection – Additional Information**

Water Pressure: the water pressure on the appliance should be between 8Bar (800Kilopascals) and 0.5Bar (50Kilopascals). Where required, use a pressure reducing valve.

If the product is being supplied from a header tank, a head of at least 2 meters must be maintained above the product.

## **ELECTRICAL CONNECTION**

Plug the fire into a 16amp 230/240 Volt outlet. Be sure to have access to the plug after installation to allow for disconnection. Ensure that the supply cable exits at the back of the fire at the right or left hand corner to suit your supply socket location and is not trapped under the fire such that it might cause it to be damaged.

### **INSTALLING THE PRODUCT INTO SURROUND/ENCLOSURE**

Once your enclosure has been built to the required dimensions and the electrical connection has been installed, follow the steps below to install your product.

1. Sit the product on the constructed base, ensuring the cable is accessible and not caught under the product.
2. Ensure the product is at the correct height to suit the installation and ensure it is adequately level. This can be done by adjusting the adjustable feet with a flat head screwdriver. (Fig 5) The levelness of the product can be verified by checking the on-board spirit level which is located on the metal base towards the back of the fire (Fig 6).
3. With the product in its final position, remove the fuel bed and using suitable screws (not provided) screw the product to the surround using the four fixing holes shown in (Fig 7).
4. Place the fuel bed back on top of the product so the pins will hide inside the appliance base.
5. Set on the glass shield. In case of both long sides open – make sure to located two glass shields (fig. 2)
6. Set the optional logs on the burner surface (fig.31 ). Make sure not to put them directly in the steam rail.

### **GLASS ASSEMBLING**

Set the glass shield on the top plate of the product leaving 20mm from the steam rail (Fig 8)

## 5. COMMISSIONING/INITIAL PRODUCT START-UP

### CONNECTING THE RECEIVER/TETHERED REMOTE

With the fuel bed removed, Connect the Bluetooth receiver connector into the receiver cable socket at the back of the appliance (Fig 9). It is important to ensure that the jack is pushed fully into the socket. Failure to fully insert the connector will prevent the product from functioning correctly. The receiver has a cable length of 1.4m which will allow you position it anywhere around the product. If you prefer to hide it, the receiver can be placed inside the surround/wall. Please ensure that the receiver is not enclosed in metal, concrete or any other dense material, this will affect the signal from the remote control.

### INITIAL PRODUCT START-UP

In some cases, where low water pressure exists or where the product is being fed by the pump accessory, the product may start to fill with water but not complete its first fill within the allowed filling time period. It is recommended that each sump is primed with 600-700ml of water before switching on the product for the first time. If measuring this amount of water is not possible, the water guide in the sump moulding can be used for reference. Fill the sump with water until the top surface of the water is level with the top of the water guide. See Fig. 12B for details on the location of the water guide.

After priming the sump(s) the product can be switched on and it should begin to top off the sump(s) with water. Please note, if no water is entering the sump, there may be an issue with the water supply to the product. This error will be represented by the product flashing two times 30 seconds after first turning on the product. Check all water connections and ensure that there are no leaks present. Also check that the leak prevention valve has not been activated; see 'Changing the Leak Prevention Valve Pad' paragraph below under 'Maintenance'. Reset the product by switching off the main switch and leaving it rest for 20 seconds. Switch the main switch back on again and the product should resume operation.

## 6. MULTIPLE PRODUCT INSTALLATION (DAISY CHAINING)

### POWER CONNECTIONS

Both the products (Cool Flame Insert 500 Pro and 1000 Pro) can be installed side by side to elongate the flame effect. When supplying power to multiple products, ensure the maximum wattage of the combined products does not exceed the rated capacity of the MCB (Minature Circuit Breaker) in the circuit.

The water supply to multiple products should be constructed in a manifold style configuration and sized appropriately for the number of units that are being installed so a consistent water volume and pressure is being supplied to each unit.

### MULTIPLE PRODUCT INSTALLATION

Follow steps 1-6 in "Installing the Product into Surround/Enclosure" to fit the first product. It is important that the first product is orientated so that the side of the product with the slots is left free and not connected to first end of the installation (Fig 12).

1. When the first product is installed and securely fixed, fit the second product beside the first product, ensuring the protruding screws and distancing elements of the second product engage with slots of the first product. (Fig 13). Tighten the screws gently (Fig 14)
2. Ensure the second product is at the correct height to match the first product and ensure it is adequately level. This can be done by adjusting the adjustable feet with a flat head screwdriver. (Fig 5) The levelness of the product can be verified by checking the on-board level (Fig 6)
3. Tighten the screws of the second product so that it joins tightly with the first product. Additional products can be fitted to the second product by following steps 1-3 above.
4. Do not to lift up or move the devices when are connected together.

## MULTIPLE PRODUCT CONTROL

Each product has been supplied with its own link wire in order to form a hardwire link between multiple products. Please follow the instructions below to link multiple products together.

1. Identify the 'master' product in the installation. It should be the product on the left hand side of the installation.
2. Connect the Bluetooth receiver to this product (Fig 15A, 16A). This will be the only Bluetooth receiver in the installation and will control the rest of the products in the installation. In an installation of both Cool Flame Insert 500 & Cool Flame Insert 1000 products, an Cool Flame Insert 500 receiver (Fig 9) should be connected to the 'master' product.
3. Plug the daisy chain link wire into the connector on the right hand side of the first/'master' module (Fig 15B, 16B).
4. Feed the wire through the hole in the metalwork and into the housing of the next product in the installation.
5. Plug the daisy chain link wire into the left hand connector on the RGB strip on the following product (Fig 15C, 16C).
6. Each product is fitted with a rotary identifier switch which must be adjusted for daisy chaining (Fig 17). The master unit should be set at 0 (default). Subsequent units should be given a unique identifier number on each binary switch.
7. Repeat steps 3-6 above in order to connect subsequent products in the installation.

Once set up, any command sent to the first product will be sent to all subsequent products. Flame height control and sound level control of the master product is matched for all subsequent products. If individual flame height control is required, this can be done by using the on board flame height controls on the product (Fig 18).

Additionally, the software of the product has been designed in such a way that when multiple products are connected to a main switch, products can be manually switched off and when switched back on they will operate in the same state as before they were switched off.

## 8. OPERATING THE PRODUCT

This section describes how to activate your fire using either the manual controls or remote control.

### MAINS SWITCH

The mains switch is located under the fuel bed on the module and controls the electricity to the appliance (Fig 18A).

Note: This switch must be in the 'ON' ( I ) position for each appliance to operate.

### MANUAL CONTROLS

Manual controls are located on the cassette module under the fuel bed. There are also manual controls on the tethered receiver unit which is fitted loose.




### REMOTE CONTROL

The remote control is supplied with 2x CR2032 batteries already fitted. Pull both tabs from the rear cover to engage the batteries (Fig 19) and allow remote operation.

Note: The tethered receiver must be fitted to the product for remote control operation.

### PAIRING THE REMOTE CONTROL

The remote control has wireless Bluetooth technology and needs to be paired to the receiver. This can be done by following the steps below.

1. Press the rocker switch to the on (I) position.
2. Press  the button on the Button Panel; the product will turn on.
3. Press  the button on the Button Panel, the LED's will start to slowly blink on and off.
4. Press  the button on the remote control; the product LEDs will flash quickly five times and the product will then automatically switch off. The remote control is now paired to the product and can be used to switch it back on.

### TO REPLACE THE BATTERIES

1. Remove battery cover of the remote control using a Philips screwdriver (Fig 19).
2. Correctly install two 3 Volt (CR2032 or similar) battery in the battery holder with the + side facing up .
3. Secure the battery cover using the previously removed screw.



Batteries must be recycled or disposed of properly.




Check with your Local Authority or Retailer for recycling advice in your area .

Frequency band(s) this product operates in: 2.4GHz

Maximum radio-frequency power transmitter in the frequency band(s) this product operates in: 2.71dBm














## GETTING THE DESIRED FLAME EFFECT

1. Switch the appliance on by pressing the main switch to the on position and pressing the  button. The flames will start after 45seconds.
2. Press the  and  buttons to adjust the flame to your desired level. Please give the flame generator time to react to the changes you make.

Once you have made your adjustments to both the flame height and crackling sound, the appliance will keep these settings even if you power off the appliance by either the on/standby button or by the main switch. The next time you switch on the appliance, it will start up as normal, wait 45 seconds for the flames to start and then revert to the adjusted settings.

## 9. MANUAL & REMOTE CONTROL OPTIONS

	Standby	Press to turn on the unit or to put it into standby mode. There is a brief delay after pressing this button before the unit turns on. Note: When the unit is turned on there is a 45 second warm up sequence before the flame effect starts.
	Increase Flame	Press repeatedly (or press and hold) to increase flame intensity. The unit will emit an audible beep when max level reached.
	Decrease Flame	Press repeatedly (or press and hold) to decrease flame intensity. The unit will emit an audible beep when min level reached.
	Flame Theme	Press repeatedly to cycle through the different Flame themes below: 1 - Natural Flame 2 - Blue 3 - Violet 4 - Red 5 - Aquamarine 6 - Prism Mode - the flames will cycle through the different colours.
	Volume and crackle sound (Manual controls)	Press repeatedly to cycle through volume levels from OFF to level 6.
	Increase Volume (Remote)	Press repeatedly (or press and hold) to increase the volume level of the crackling sound effect.
	Decrease Volume (Remote)	Press repeatedly (or press and hold) to decrease the volume level of the crackling sound effect.
	Brightness	Press repeatedly to cycle the top light brightness settings: B1 - Brightness level 1 B2 - Brightness level 2 B3 - Brightness level 3 B4 - Brightness level 4 B5 - Brightness level 5 B6 - Pulsating effect
	Timer	Press repeatedly to set the duration of the timer. The fireplace goes into standby after the time has elapsed. The timer can be set for 1 hour (1 presses), 2 hour (2 presses) and Timer OFF (3 presses).
	Heat (If Applicable)	Press to turn heat on/off.
	Bluetooth	Press this button for pairing remote handset - refer to 'PAIRING THE REMOTE CONTROL'.

## FLAME CONNECT APP

The fireplace is capable of being controlled using the Flame Connect App for mobile devices. This is available to download to your device from Google Play or Apple App stores. Follow the on screen instructions for set-up.

NOTE: The fireplace will not operate using the provided remote control when the app is open on a mobile device.



## NOZZLE INSERTS

Nozzle inserts have been supplied and fitted to the nozzle opening. These inserts are used to alter the profile of the flame effect. These inserts can be removed if a different flame profile is preferred. In addition to these inserts, inserts for blocking the flame in certain areas have also been supplied. To fit these inserts, remove the existing inserts that have been supplied and fitted to the product. Break the blocking inserts into the required length. Snap the inserts into the nozzle opening in the desired location. See Fig 20 for further details.

## 10. MAINTENANCE

### GENERAL TIPS

Only use filtered/decalcified water in this appliance.

Always ensure that the appliance is sitting on a level surface.

If you intend not using the appliance for longer than a week, remove and empty the sump and water tank. Once installed, never move this appliance or lay on its back, without draining the water from sump.

### CLEANING

**WARNING:** Always press Switch 'A' to the 'OFF' (0) position (Fig 18A) and disconnect from the power supply before cleaning the fire.

We recommend cleaning the following components once every week, particularly in hard water areas: Sump, Nozzle, Tank cap and seal, Air filter

For general cleaning use a soft clean duster – never use abrasive cleaners.

To remove any accumulation of dust or fluff, the soft brush attachment of a vacuum cleaner should occasionally be used.

### SUMP

1. Press Switch 'A' to the 'OFF' (0) position (Fig 18A)
2. Gently lift off the fuel bed and place it aside.
3. Disconnect the fill cap from its position on top of the sump (Fig 30) or remove water bottle if used (Fig 10 & 11).
4. Disconnect the electrical connector to the transducers, located on the right side of the sump. (Fig 21).
5. There are two orange clips holding down the nozzle on the sump; one on the left and one on the right hand side of the nozzle. On the left side, press in the clip with one hand and with the other lift the nozzle out of the clip. Repeat this for the right side (Fig 22). The nozzle can now be lifted up and placed aside (Fig 23).
6. Gently lift up the sump (Fig 24), taking care to keep it level so as not to spill any water. Sit the sump in the sink.
7. Carefully empty the sump into the sink taking note that the transducer is held in place by a retaining clip.
8. Put a small amount of washing up liquid into the sump, and using a soft brush, gently clean all surfaces in the sump and gently clean the transducer including the cone and metal discs located in the top grooved surface.
9. When cleaned, thoroughly rinse the sump with clean water to remove all traces of washing up liquid.
10. Clean the nozzle with a soft brush and flush out thoroughly with water.
11. Reverse the above steps 1 – 6 to reassemble.

## **TRANSDUCER**

The transducer is a consumable item and may need to be replaced through time, depending on its usage. Replacement transducers can be purchased from our your dealer. The transducer is fixed in the sump with a plastic clip. If you need to replace your transducer:

1. Follow the steps 1-5 in the CLEANING - Sump section under 'Maintenance' to gain access to the transducer.
2. Press the clip back and lift the transducer upwards out of its holder.
3. Place the new transducer into the sump, ensuring the its cable does not sit over the cone.
4. Reverse the above steps to reassemble the nozzle and sump.

## **AIR FILTER**

1. Gently lift out the fuel bed and place it aside.
2. Gently slide the air filter upwards out of its plastic holder. (Fig 25)
3. Gently rinse with water in the sink and dry with fabric towel.
4. Replace the filter making sure that the coarse black filter is facing outwards.
5. Replace the fuel bed.

## **CHANGING THE LEAK PREVENTION VALVE PAD**

A leak prevention valve has been fitted to the appliance as an additional safety measure (Fig 27). In the unlikely event that a leak occurs inside the product, the valve will prevent water from flowing to the product. When the valve has been activated, the pad within the valve absorbs water and expands, shutting off the valve. It can be verified that the valve has been activated if the pad has expanded and the arm of the valve is in its upper position (Fig 28). If the valve has been activated, the pad must be replaced. A spare pad has been supplied with the product, please follow the steps below to change the pad.

1. In order to gain access to the valve, the nozzle and the sump must be removed first. Follow steps 1-6 above under "Sump" to remove the sump and nozzle.
2. Verify that the valve has been activated by checking the orientation of the valve arm. If the pad has expanded and the valve arm is in the upper position (Fig 30), the valve has been activated.
3. Remove the old expanded pad and dry the area around the valve. Replace the pad with a new pad, while ensuring the new pad does not come into contact with water.
4. Close the arm of the valve on top of the newly fitted valve (Fig 29).
5. Replace the sump and nozzle and check that the product is operating by switching it on and ensuring water is flowing into the sump. The product should be carefully inspected for leaks after replacing the valve.

**Please note the product is not to be operated without the pad being fitted to the leak prevention valve. If leaking persists after replacing the valve, contact your dealer or service agent.**

## 11. TROUBLESHOOTING

The product has been designed to highlight particular errors by flashing the on board LED lights. The lights will flash a number of times corresponding to the error that is occurring. Please see the table below for the explanation of the errors.		
Symptom	Cause	Corrective Action
Product will not operate.	Electrical connection issue Product not switched on	Ensure product has working electrical connection. Ensure mains rocker switch on (Fig 18)
Product will not operate. The LED fuel bed only operates.	Low water reading  Product is not level	Ensure water tank is filling correctly. Check water supply is working, that there are no leaks/blockages and absorption valve has not been activated. Ensure fill cap is positioned correctly on the sump and secure and fill cap is secure.  Ensure the product is level by checking the on-board level (Fig 6).
LEDs blink twice and product beeps twice	Product is approaching low water	Ensure water tank is filling correctly. Check water supply is working, that there are no leaks/blockages and absorption valve has not been activated. Ensure fill cap is positioned correctly on the sump and secure and fill cap is secure.
Product will not operate. LEDs continuously blink twice on one side	Low water reading on side that is blinking	Ensure water tank is filling correctly. Check water supply is working, that there are no leaks/blockages and absorption valve has not been activated. Ensure fill cap is positioned correctly on the sump and secure and fill cap is secure.
Product will not operate. LEDs continuously blink three times	Time from max level to min level is too short. Conflicting water level readings (min and max level being read at the same time.)	Ensure there are no leaks in the sump. Ensure that the floats are moving freely within the sump. Ensure the product is level.
Product will not operate. LEDs continuously blink four times	Fill time from min to max level has been exceeded	Ensure water tank is filling correctly. Check water supply is working, that there are no leaks/blockages and absorption valve has not been activated. Ensure fill cap is positioned correctly on the sump and secure and fill cap is secure.
Product will not operate. LEDs continuously blink once every 8 seconds on one side	Overflow Detection on side that is blinking	Switch off the product and the water supply. Contact your dealer for assistance.
Little or No Mist Generation	Transducer not operating correctly Transducer is dirty Transducer is not sitting correctly in sump Fan is obstructed or blocked  Nozzle is not on sump correctly Nozzle is blocked	Check operation of transducer Clean sump and transducer thoroughly Switch off product, take nozzle off sump and ensure transducer is fitted in sump correctly Remove air filter and clean. Ensure it is placed back in product correctly. Ensure Nozzle is sitting on sump correctly Clean sump, transducer and nozzle thoroughly
The flame effect has too much smoke.	Flame effect setting is too high	Turn down the flame effect. Give the product time to adjust to the new setting
Bluetooth Receiver stops working	Loose connection	Check connection to the receiver (Fig 9)
Remote Control stops working	Bluetooth range issue  Bluetooth Receiver connection is loose Remote control batteries need replacing	Check positioning of Bluetooth Receiver. Ensure it is not encased in metal or concrete. Check connection to the receiver (Fig 9) Replace batteries with two new AAA batteries

## 12. ADDITIONAL INFORMATION

### AFTER SALES SERVICE

Your product is guaranteed for two years from the date of purchase. Within this period, we undertake to repair or exchange this product free of charge (excluding transducer discs & subject to availability) provided it has been installed and operated in accordance with these instructions. Your rights under this guarantee are additional to your statutory rights, which in turn are not affected by this guarantee.

### RECYCLING



At the end of the electrical products useful life it should not be disposed of with household waste. Please recycle where facilities exist. Check with your Local Authority or retailer for recycling advice in your area.

---

## 13. PATENT / PATENT APPLICATION

Products within the Optimyst range are protected by one or more of the following patents and patent applications:

Great Britain GB2460259B, GB2475794B, GB2418014, EP2029941, GB2436212, GB2402206B

United States US8413358, US8136276, US7967690, US8574086

Russia RU2434181

European EP2029941, EP2315976, EP1787063 (A1), EP2388527, EP2029941,

China CN101883953A, CN102105746A, CN101057105 (A), CN101438104

Australia AU2009248743A1, AU2007224634

Canada CA2725214, CA2579444, CA2645939

South Africa ZA2008/08702

Mexico MX2008011712

South Korea KR101364191

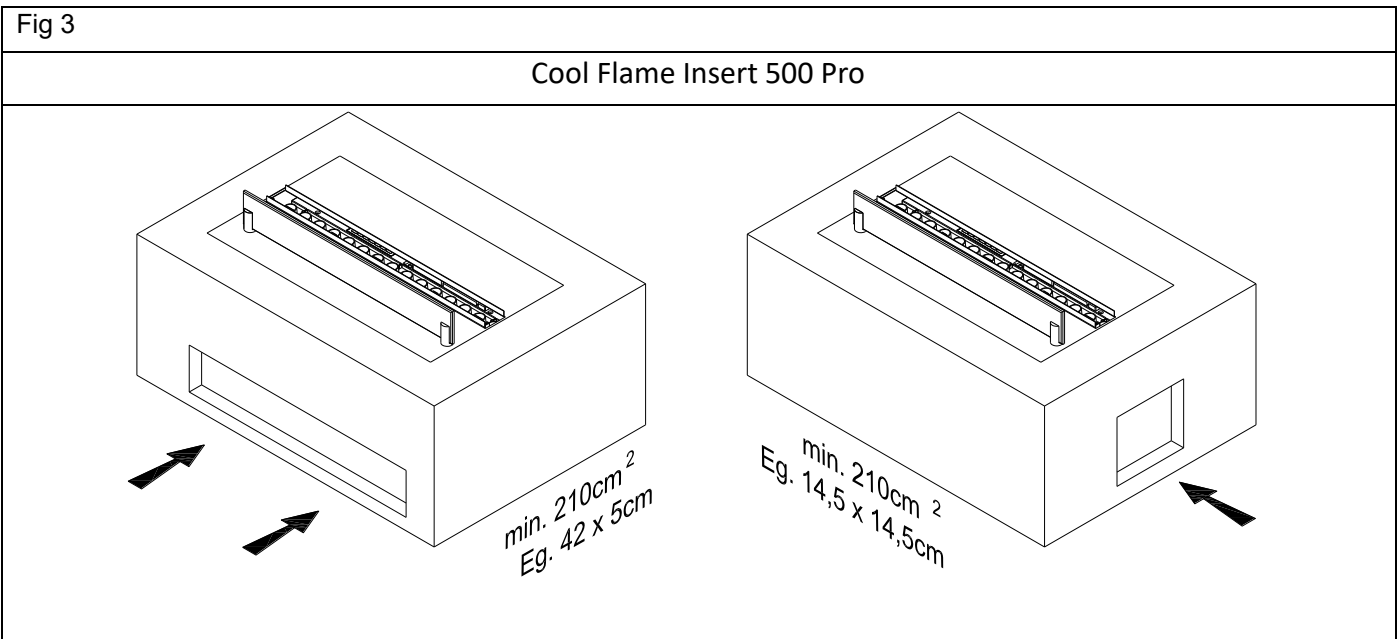
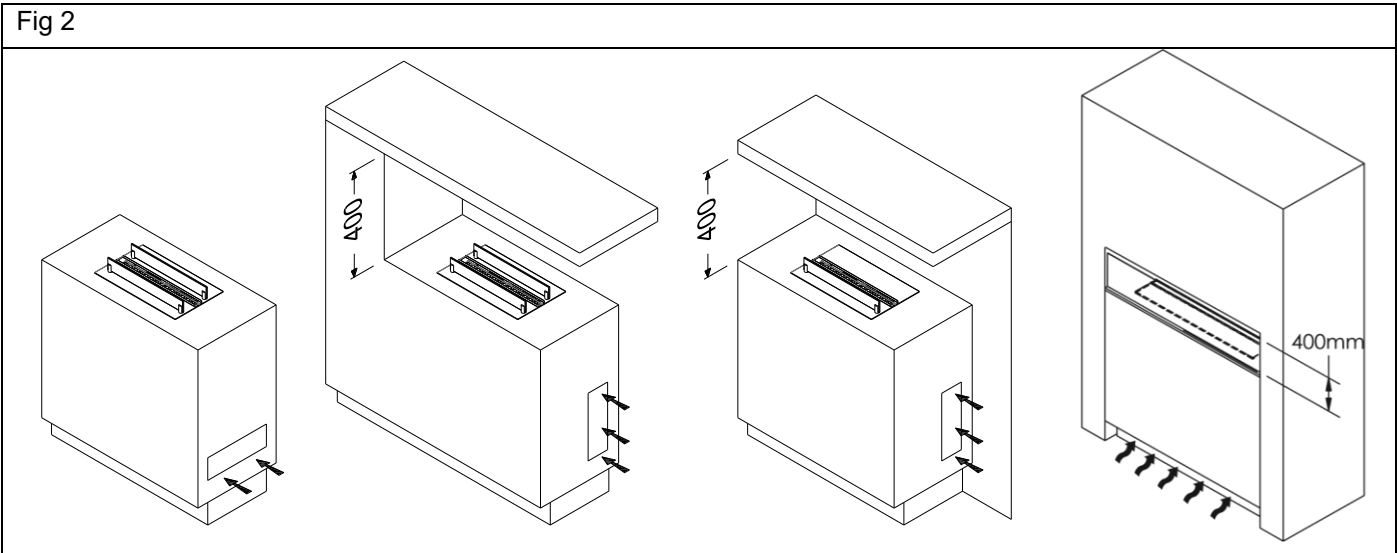
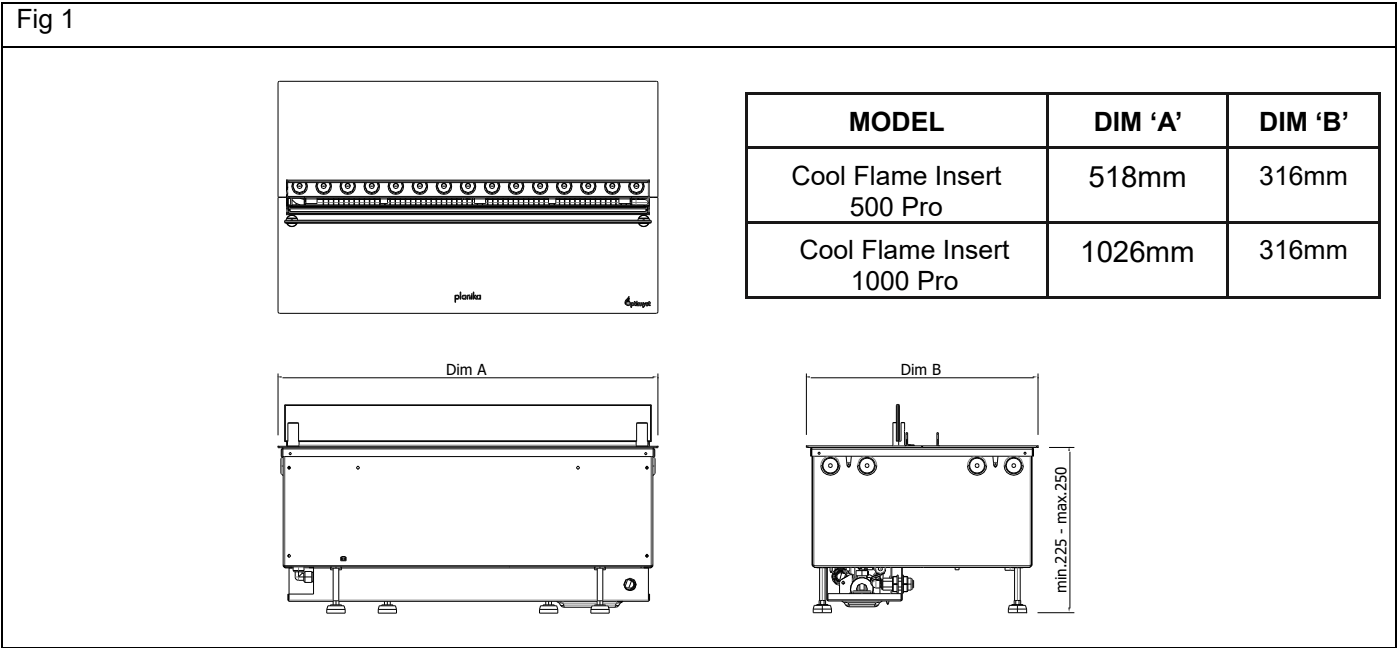
Japan JP5281417, JP5496291

Brazil BRP10708894

India 4122/KOLNP/2008

New Zealand NZ571900

# 14. APPENDIX



### Cool Flame Insert 1000 Pro

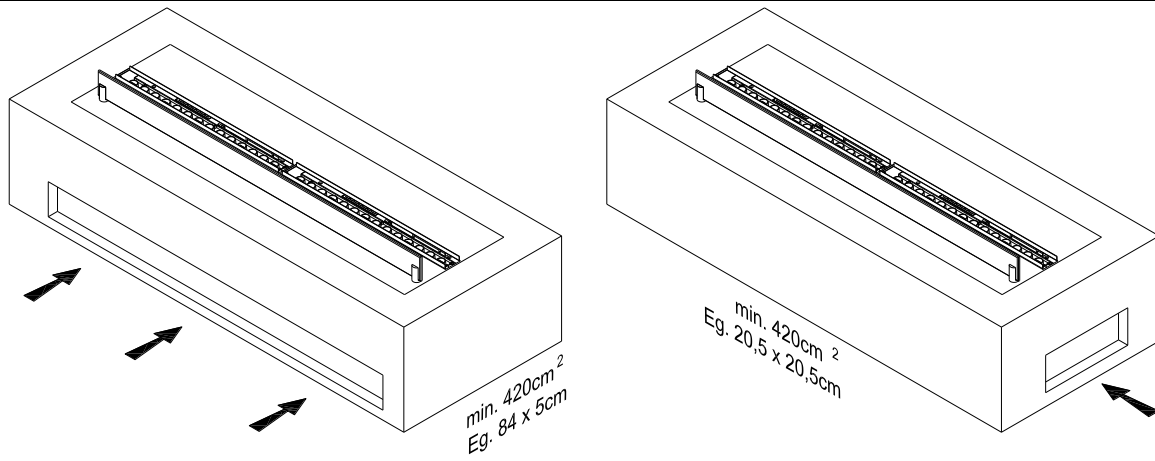


Fig 4

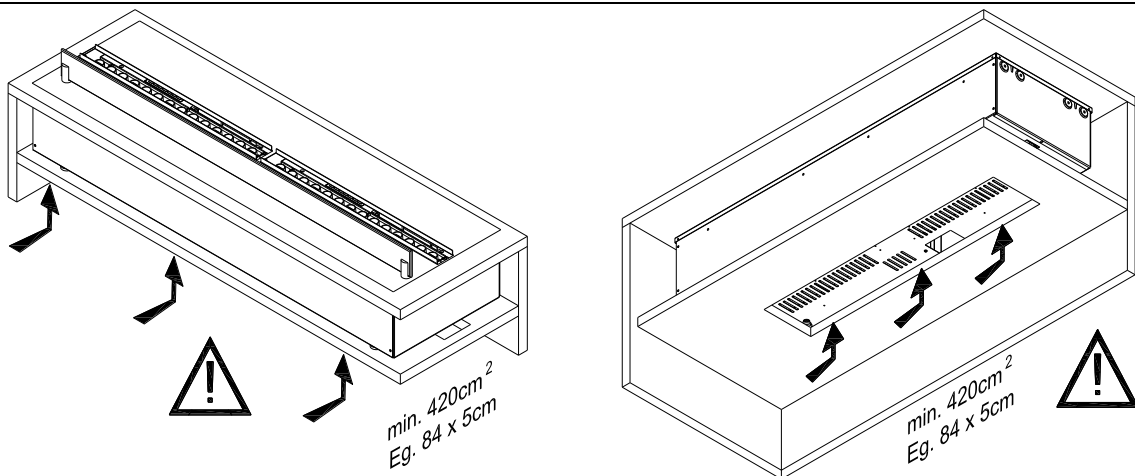


Fig 5

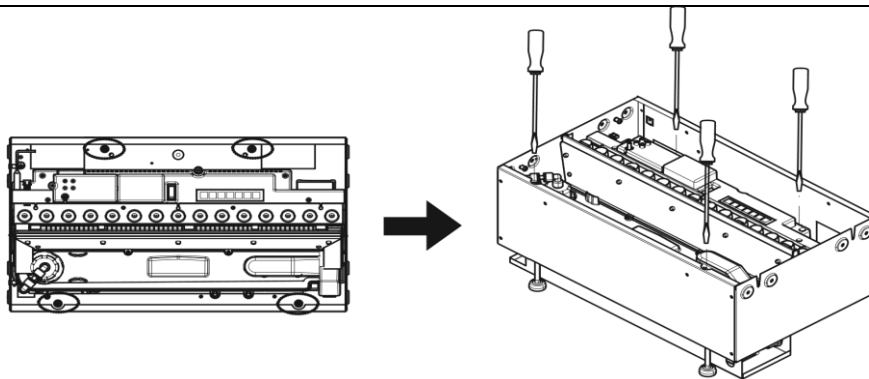


Fig 6

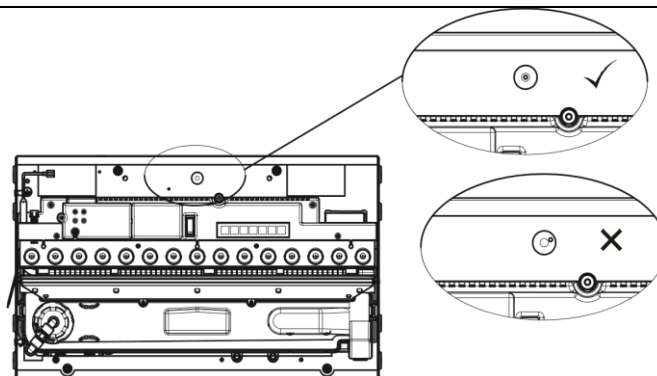


Fig 7

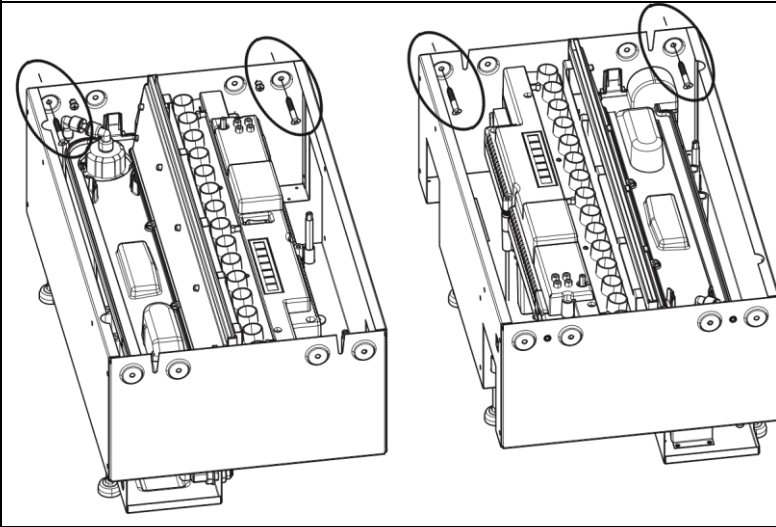


Fig 8

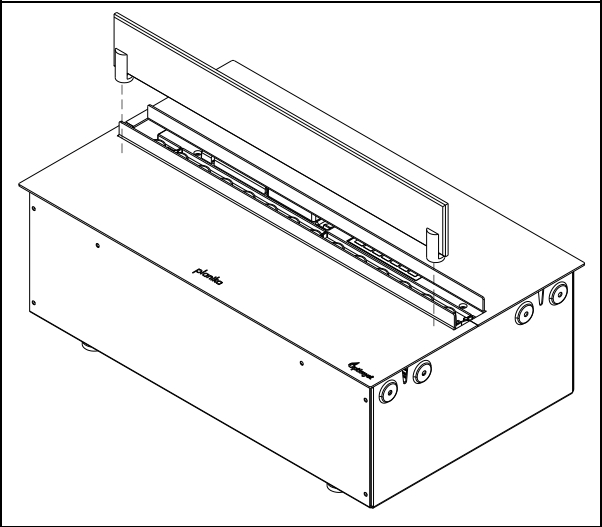


Fig 9

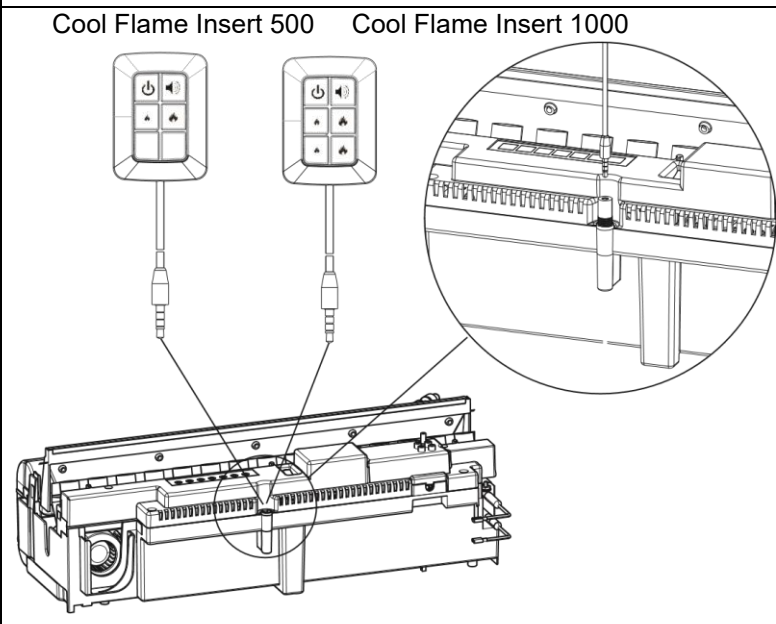


Fig 10

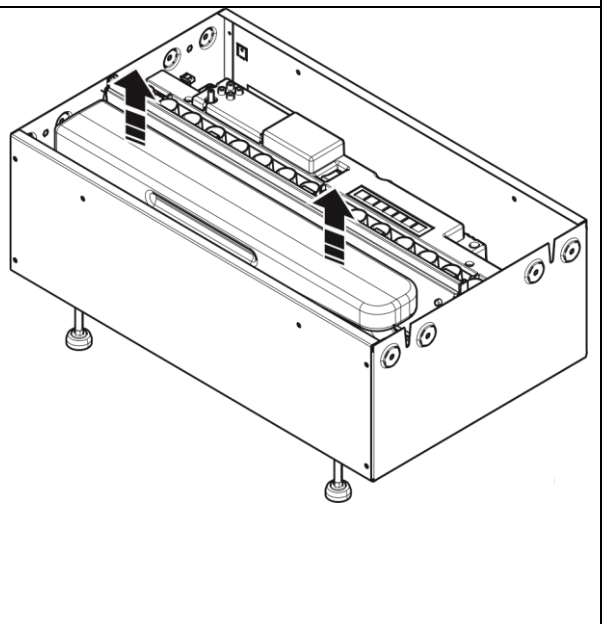


Fig 11

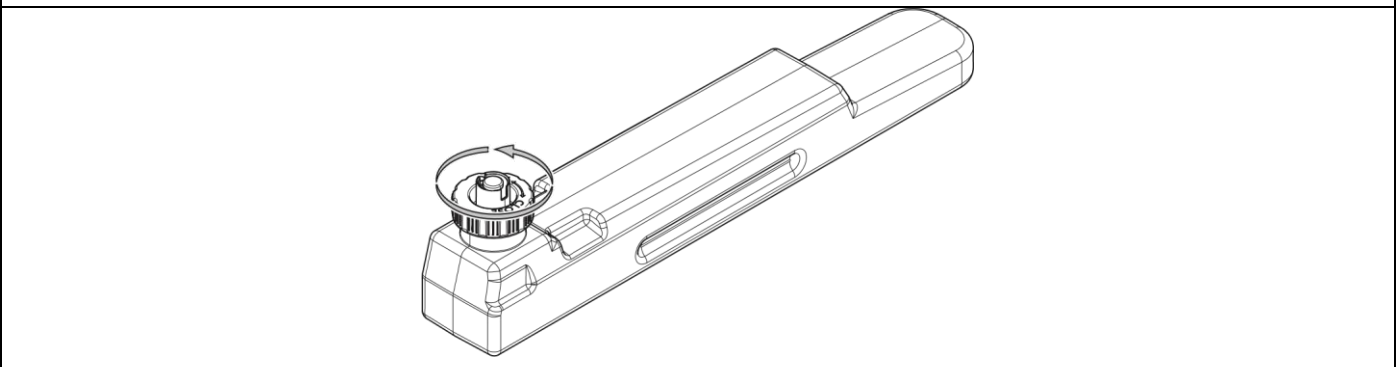




Fig 12

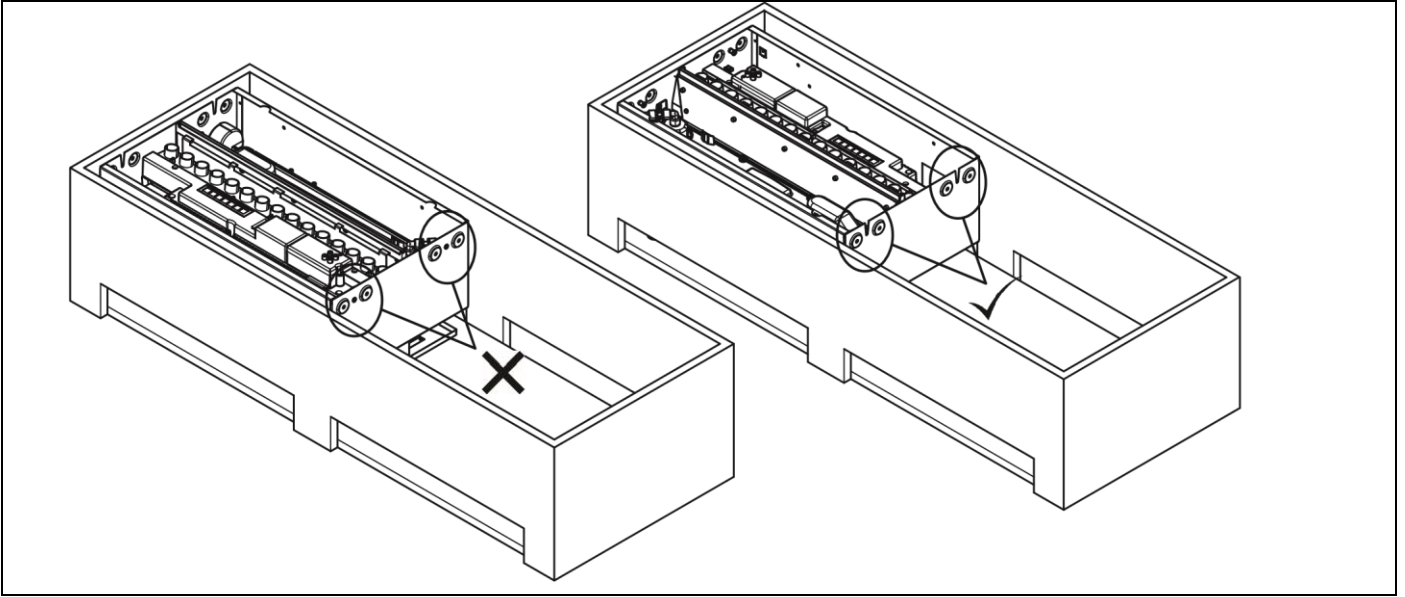


Fig 13

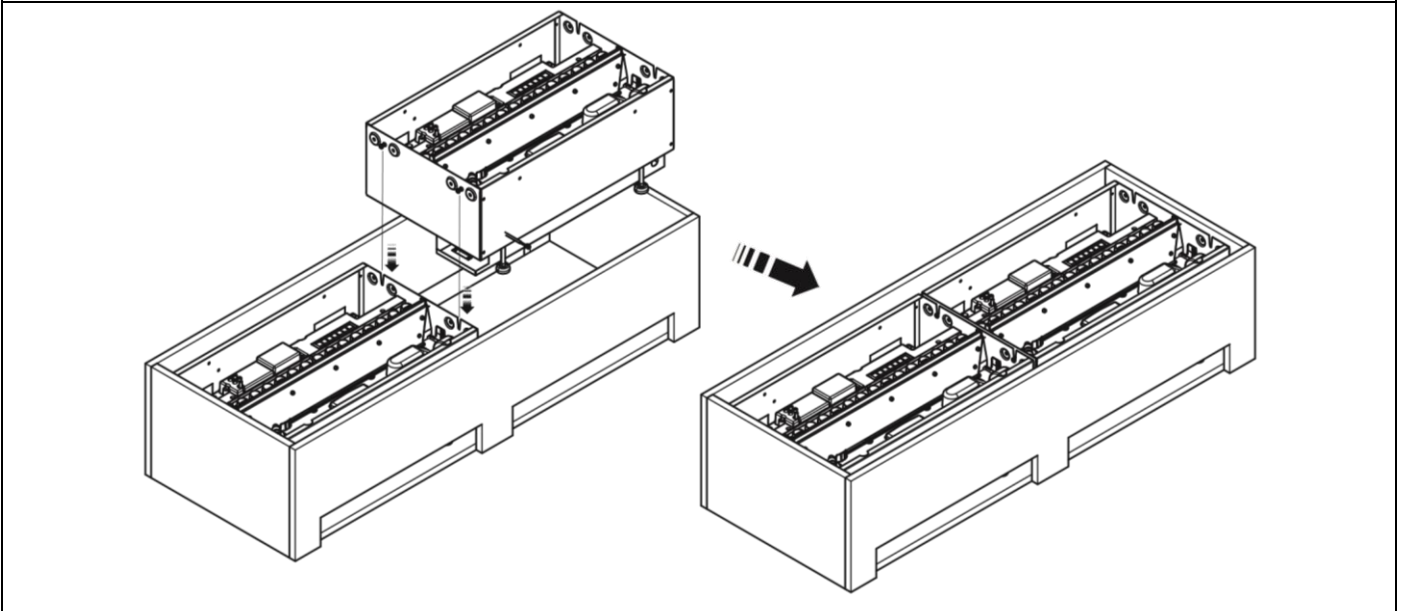


Fig 14

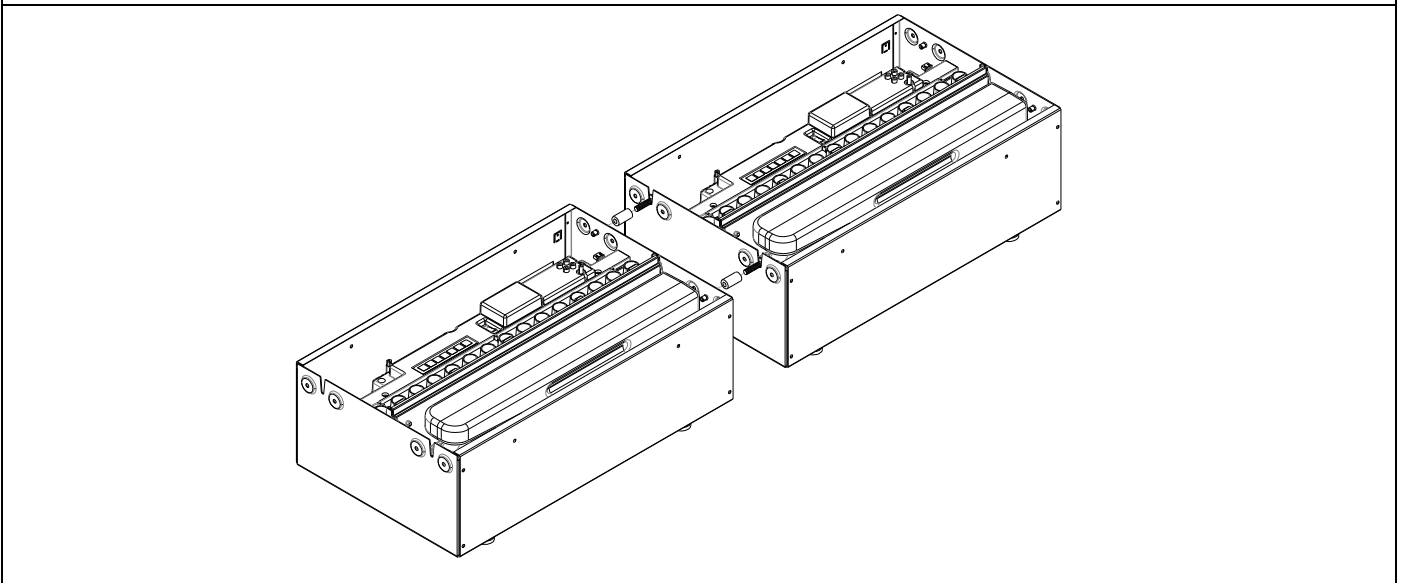


Fig 15

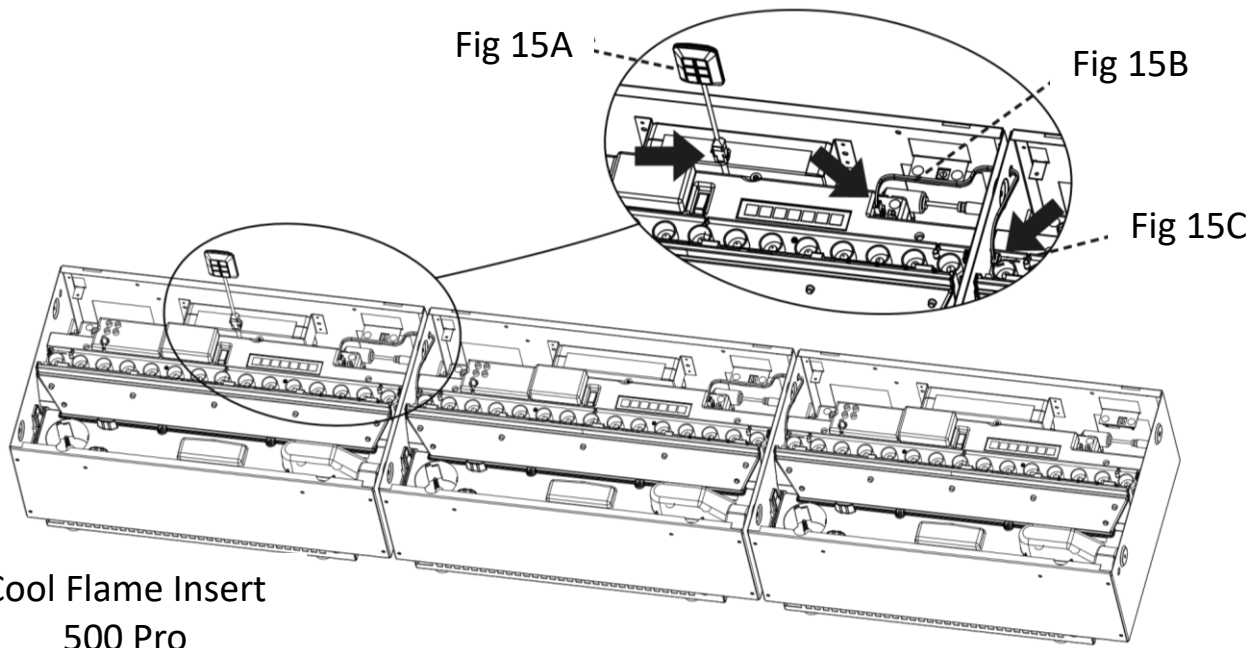


Fig 16

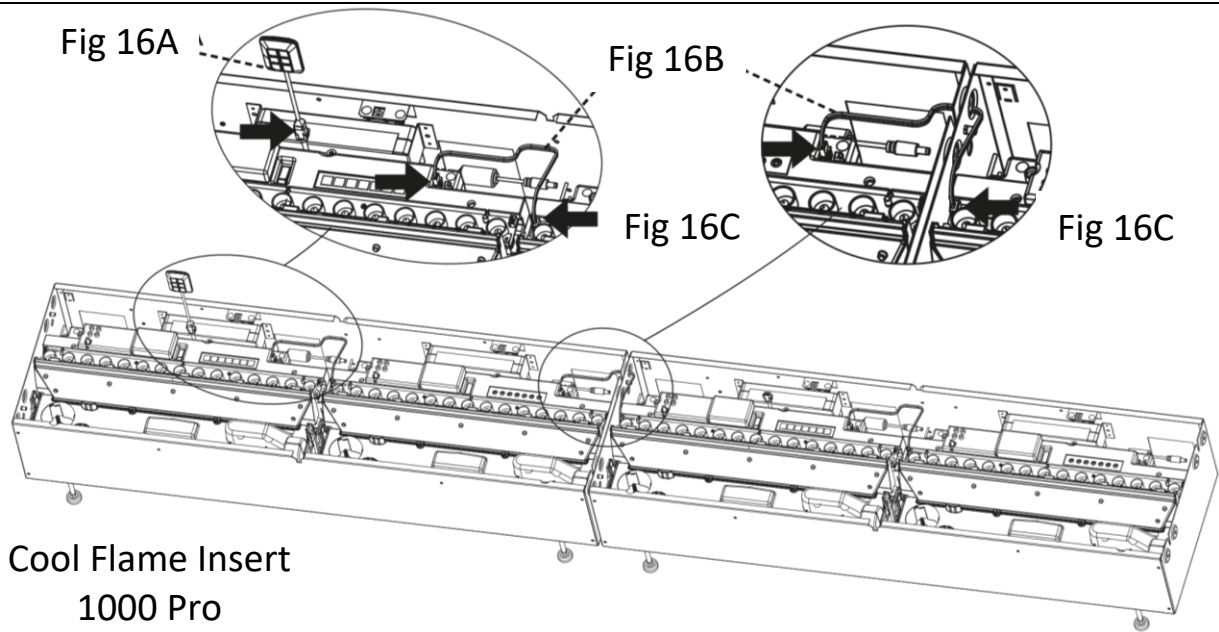


Fig 17

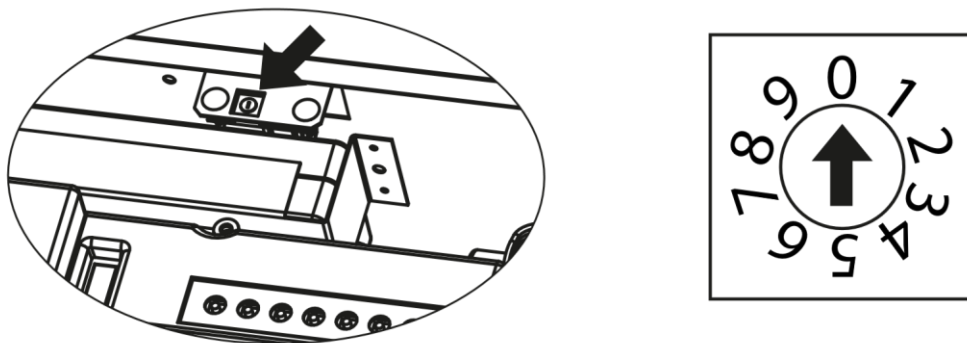


Fig 18

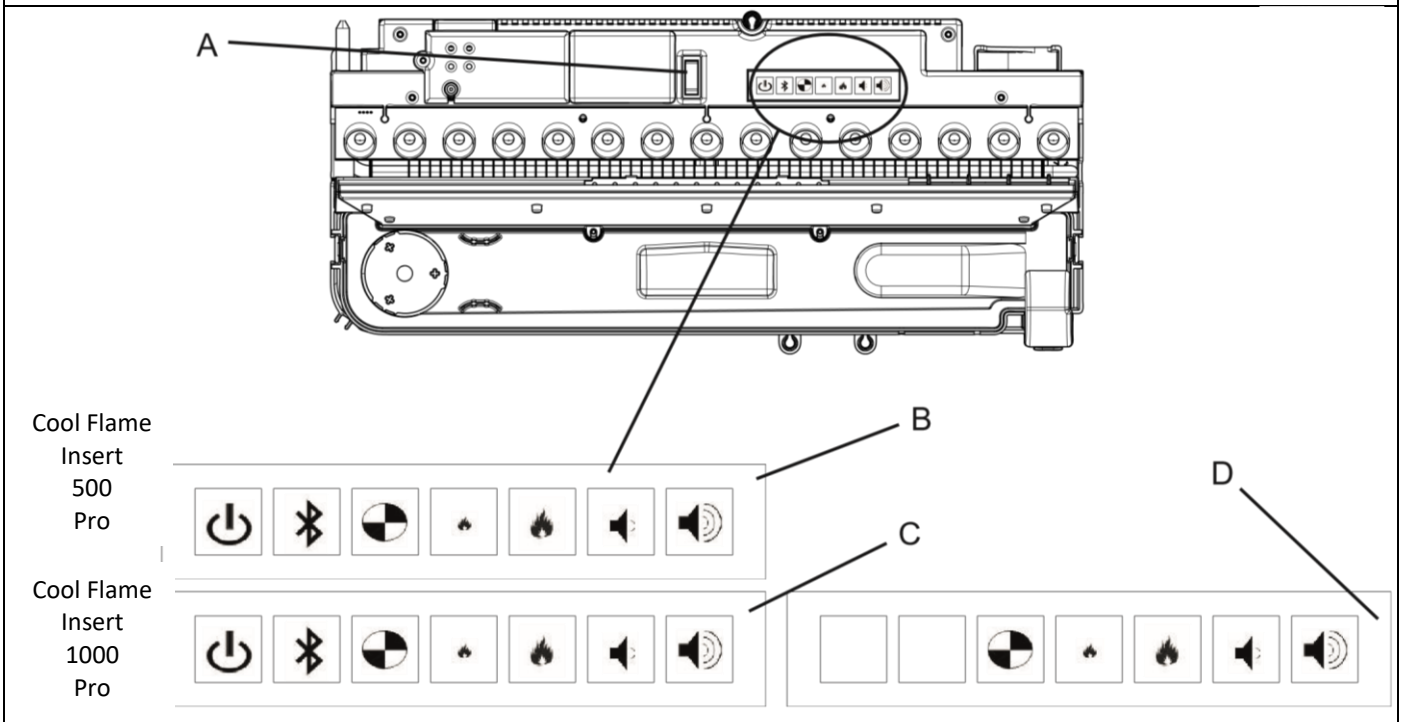


Fig 19

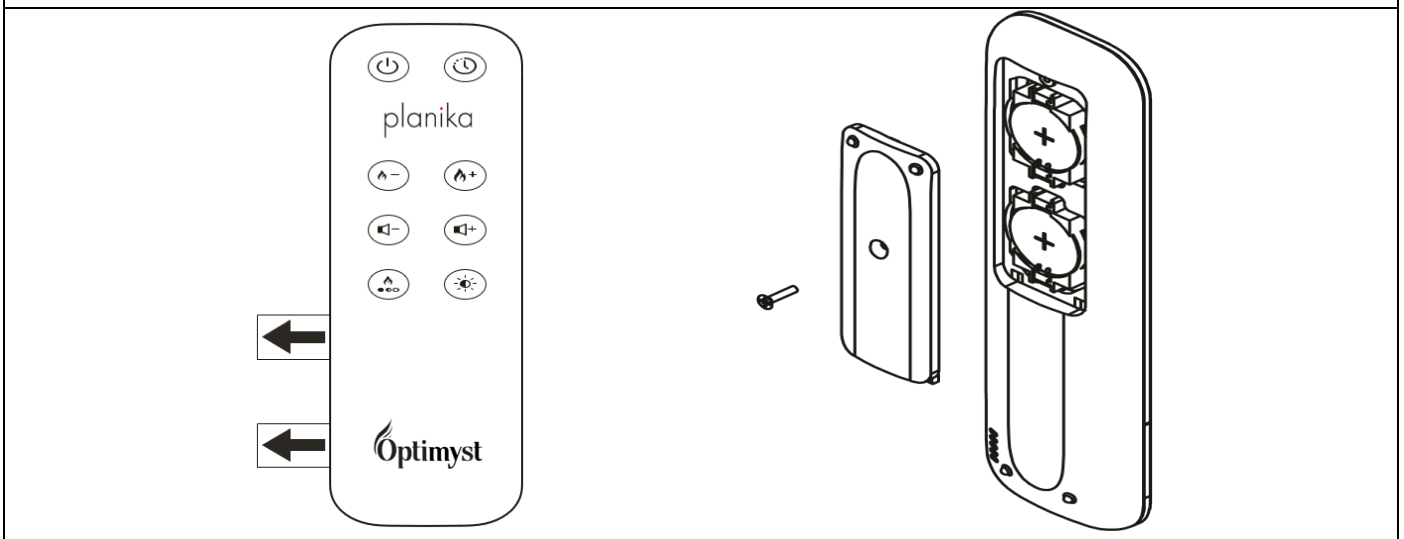


Fig 20

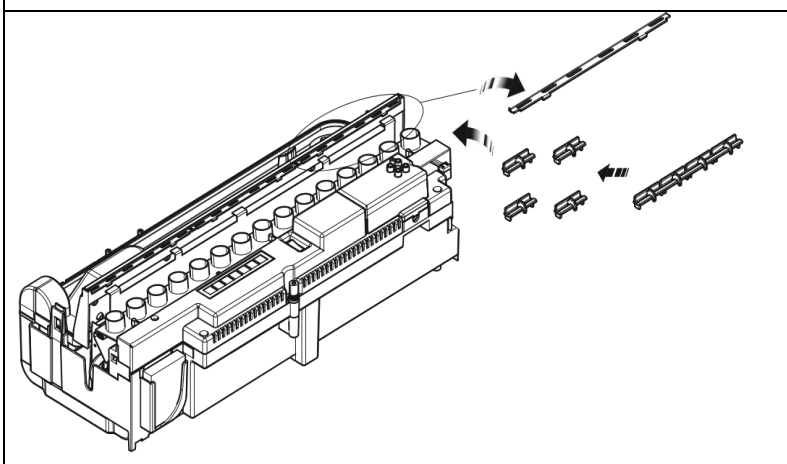


Fig 21

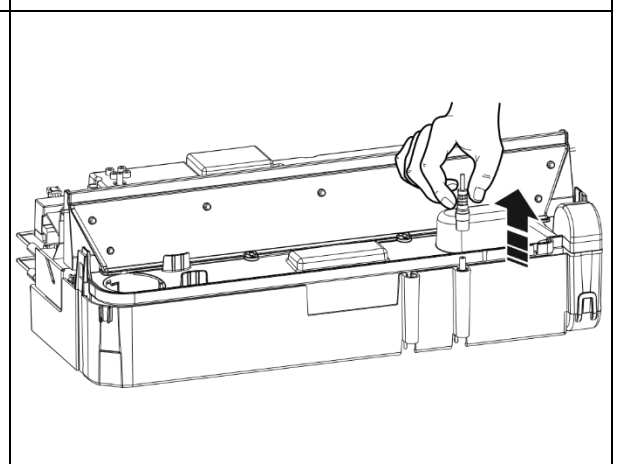


Fig 22

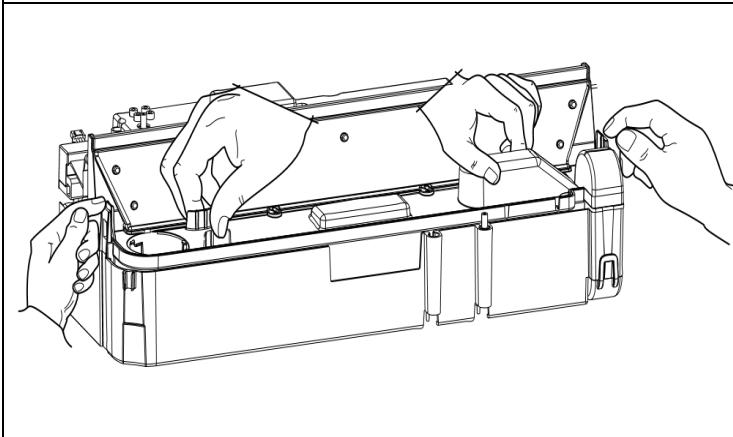


Fig 23

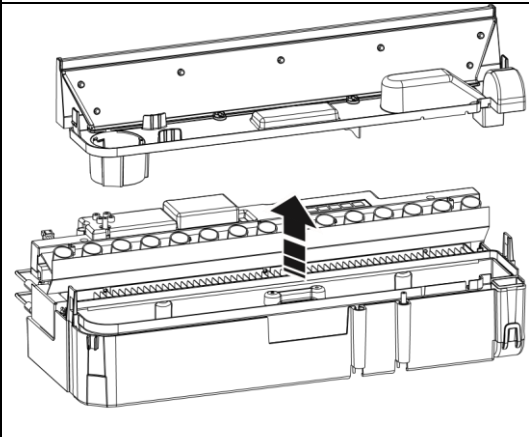


Fig 24

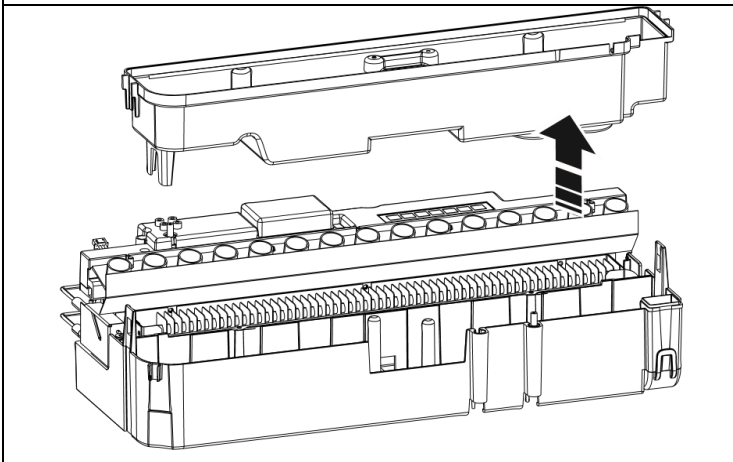


Fig 25

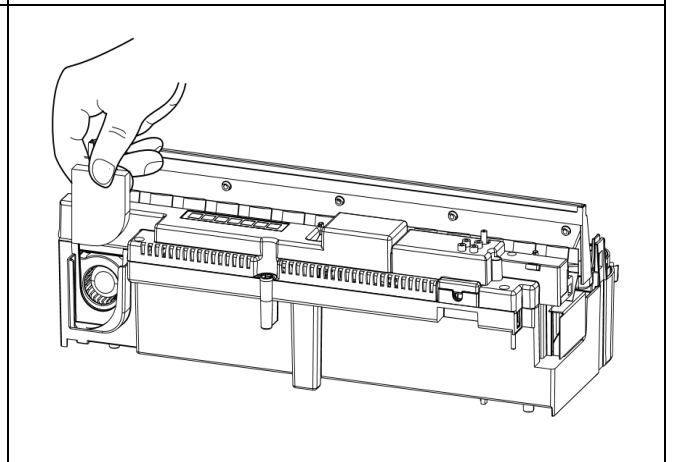


Fig 26

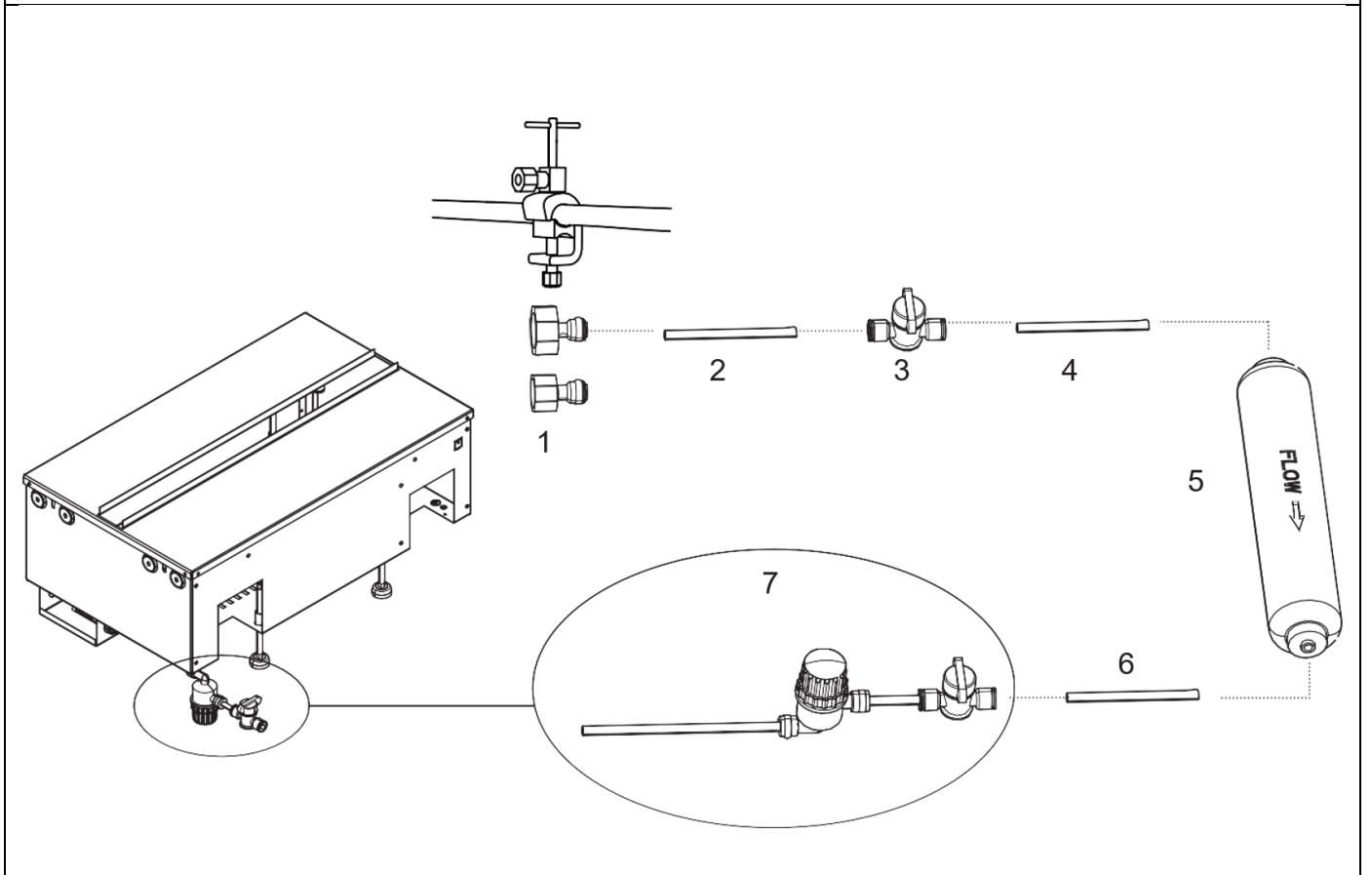


Fig 27

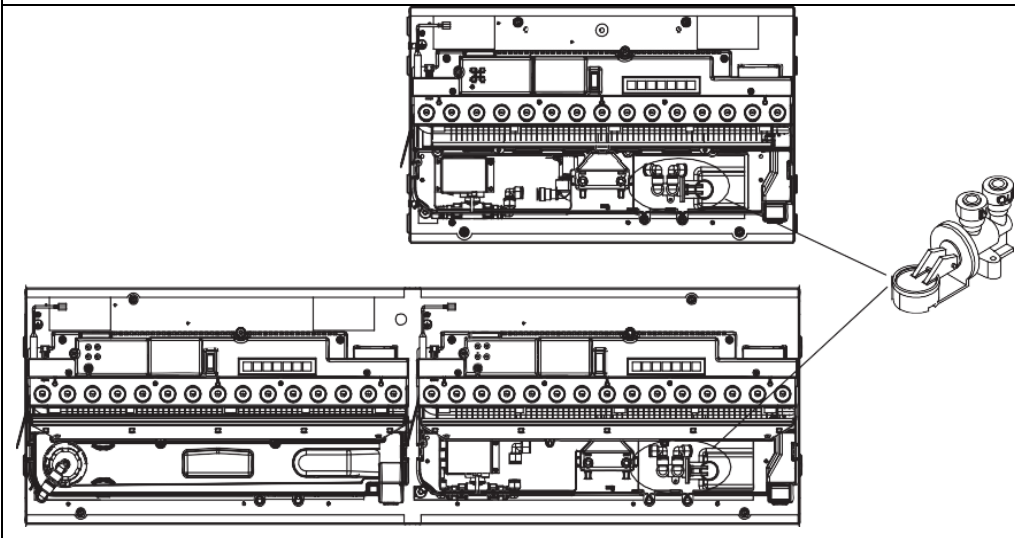


Fig 28

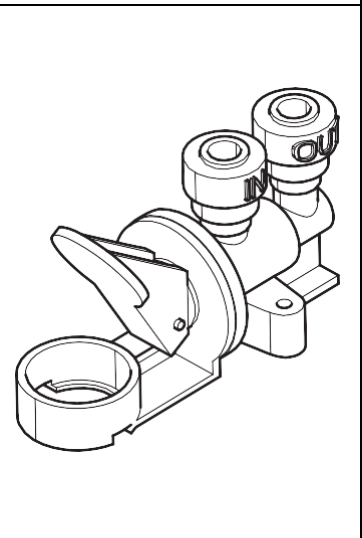


Fig 29

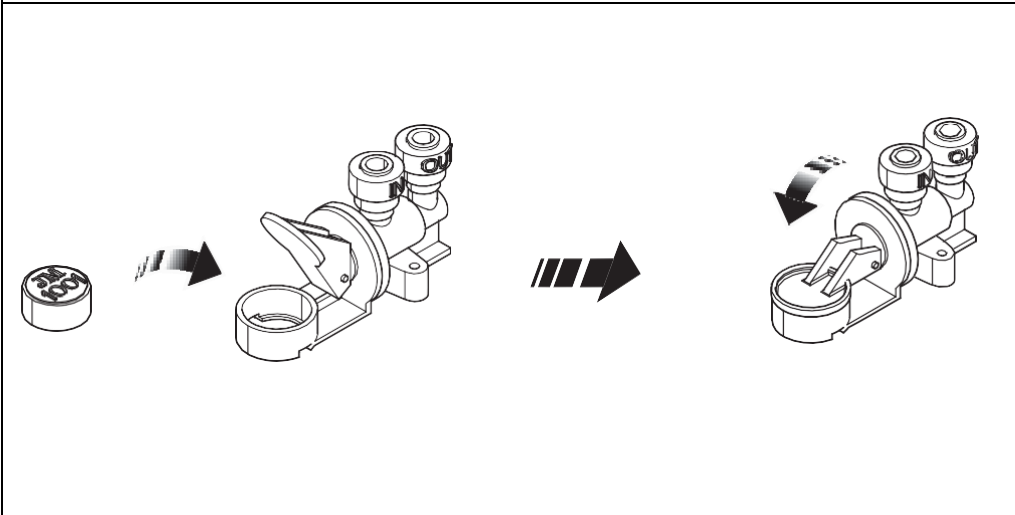


Fig 30

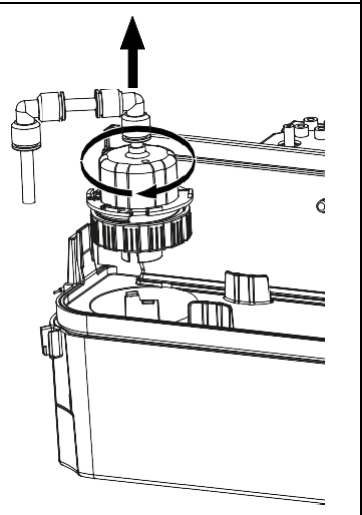


Fig 31



Cool Flame 500 Insert



Cool Flame 1000 Insert