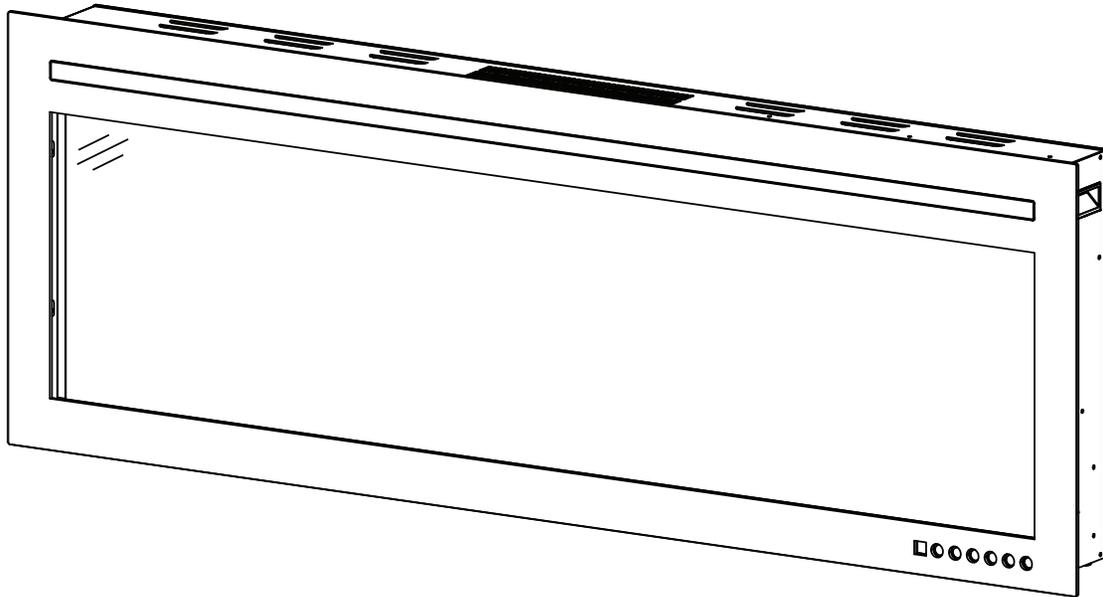




# INSTALLATION AND OPERATION MANUAL

pūrview 42 / 50 / 60 / 72 / 100 series  
(NEFL60HI-EU Illustrated)



## SAFETY INFORMATION

### **! WARNING**

#### **FIRE OR EXPLOSION HAZARD**

If the information in these instructions are not followed exactly, a fire or explosion may result causing property damage, personal injury, or loss of life.

- Do not store or use gasoline or other flammable vapors and liquids in the vicinity of this or any other appliance.

#### **INSTALLER:**

Leave this manual with the appliance

#### **CONSUMER:**

Retain this manual for future reference

**FOR INDOOR USE ONLY**  
**IMPORTED BY WOLF STEEL EUROPE (THE NETHERLANDS)**



Wolf Steel Europe BV  
De Riemsdijk 22, 4004 LC Tiel, The Netherlands

**! WARNING**

- **If equipped with a heater, this appliance can be hot when operated and can cause severe burns if contacted.**
- Do not operate appliance before reading and understanding operating instructions. Failure to operate appliance according to operating instructions could cause fire or injury.
- Do not install damaged, incomplete or substitute components.
- Do not burn wood or other materials in this appliance.
- All electric appliances have hot and arcing or sparking parts inside. Do not use it in areas where a gas line, paint or flammable liquids are present.
- Any safety screen or guard removed for servicing must be replaced prior to operating the appliance.
- It is imperative that the control compartments, circulating blower and its passageway in the appliance are kept clean. The appliance should be inspected before use and at least annually by a qualified service person. More frequent cleaning may be required due to excessive lint from carpeting, bedding material, etc. The appliance area must be kept clear and free from combustible materials, gasoline and other flammable vapors and liquids.
- Under no circumstances should this appliance be modified.
- Do not use this appliance if any part has been under water. Immediately call a qualified service technician to inspect the appliance and to replace any part of the control system which has been under water.
- If equipped with a glass door, do not operate the appliance with the glass door removed, cracked or broken. Replacement of the glass should be done by a licensed or qualified service person. Do not strike or slam shut the appliance glass door.
- Keep the packaging material out of reach of children and dispose of the material in a safe manner. As with all plastic bags, these are not toys and should be kept away from children and infants.
- Servicing should be done only while the appliance is disconnected from the power supply circuit.
- Always unplug appliance when not in use.
- Do not operate this appliance with a damaged cord or plug after the appliance malfunctions, has been dropped or damaged in any manner. Return appliance to authorized service facility for examination, electrical or mechanical adjustment, or repair.
- Do not use outdoors.
- When installing this appliance in a room where water is present, the installation must comply with codes recognizing the increased hazard of electrical shock and electrocution.

**note:**

This appliance is NOT suitable for installation in a bathroom.

- Do not run cord under carpeting. Do not cover cord with throw rugs, runners, or the like. Arrange cord away from traffic area and where it will not be tripped over.
- Connect to properly grounded outlets only.
- Do not insert or allow foreign objects to enter any ventilation or exhaust opening as this may cause an electric shock or fire, or damage the appliance.
- It is normal for your electric appliance to produce noise, especially when installed in a quiet space such as a bedroom.

 **WARNING**

- To prevent a possible fire, do not block air intakes or exhaust in any manner. Do not use on soft surfaces, like a carpet, where openings may become blocked.
- Always plug appliances directly into a wall outlet/receptacle. Never use an extension cord or relocatable power tap (outlet/power strip).
- These appliances are tested and listed for use only with the optional accessories listed in these instructions. Use of optional accessories not specifically tested for this appliance could void the warranty and/or result in a safety hazard.

**For appliances equipped with a heater:**

- Risk of burns. Power to the appliance should be turned off and the appliance allowed to cool before servicing. To disconnect power to the appliance, turn controls to off, then remove plug from outlet.
- Young children should be carefully supervised when they are in the same room as the appliance. Toddlers, young children and others may be susceptible to accidental contact burns. A physical barrier is recommended if there are at risk individuals in the house. To restrict access to an appliance or stove, install an adjustable safety gate to keep toddlers, young children and other at risk individuals out of the room and away from hot surfaces.
- Clothing or other flammable material should not be placed on or near the appliance.
- Due to high temperatures, the appliance should be located out of traffic and away from furniture and draperies.
- Ensure you have incorporated adequate safety measure to protect infants/toddlers from touching hot surfaces.
- Even after the appliance is off, the glass and/or screen will remain hot for an extended period of time.
- Check with your local hearth specialty dealer for safety screens and hearth guards to protect children from hot surfaces. These screens and guards must be fastened to the floor.
- Ensure clearances to combustibles are maintained when building a mantel or shelves above the appliance. Elevated temperatures on the wall or in the air above the appliance can cause melting, discolouration or damage to decorations, a TV or other electronic components.
- The heater must not be located immediately below a socket-outlet.
- **If they have supervision or have been given adequate instructions concerning the use of the appliance in a safe way, understanding all hazards involved, this appliance can be used by children aged 8 years and above; persons with reduced physical, sensory, and mental capabilities; or persons with lack of experience and knowledge. Children shall not play with the appliance. Cleaning and user maintenance shall not be done by children without supervision.**

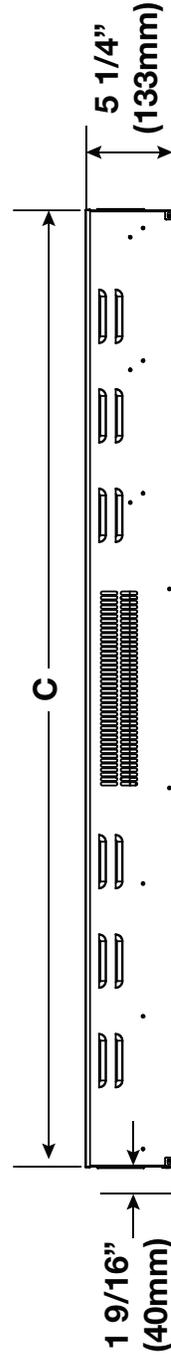
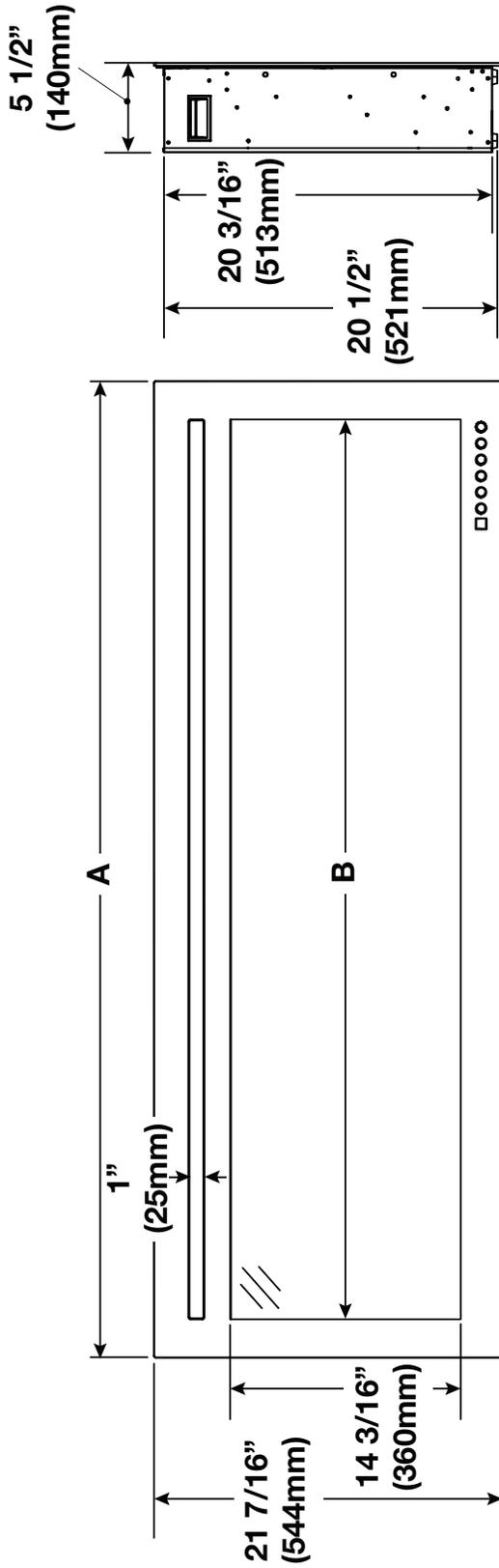
 **WARNING:** This product can expose you to chemicals including lead and lead compounds, which are known to the State of California to cause cancer, and chemicals including BBP and DEHP, which are known to the State of California to cause birth defects or other reproductive harm. For more information, go to [www.P65Warnings.ca.gov](http://www.P65Warnings.ca.gov).

<b>1.0</b>	<b>general information</b>	<b>5</b>
1.1	dimensions (NEFL42/50/60HI-EU)	5
1.2	dimensions (NEFL72/100HI-EU)	6
1.3	rating plate information	7
1.4	label location	7
1.5	listing approvals	8
1.6	general instructions	8
1.7	unpacking and testing the appliance	9
1.8	hardware list	9
<b>2.0</b>	<b>appliance placement</b>	<b>10</b>
<b>3.0</b>	<b>installation</b>	<b>11</b>
3.1	minimum clearance to combustibles	11
3.2	framing	12
3.3	wall mount installation	13
3.4	recessed pre-installation	15
3.4.1	fully recessed installation	15
3.4.2	partially recessed installation	16
<b>4.0</b>	<b>electrical information</b>	<b>17</b>
4.1	hard-wiring installation	17
4.2	wiring diagram (NEFL42HI-EU)	18
4.3	wiring diagram (NEFL50/60HI-EU)	19
4.4	wiring diagram (NEFL72HI-EU)	20
4.5	wiring diagram (NEFL100HI-EU)	21
<b>5.0</b>	<b>finishing</b>	<b>22</b>
5.1	front glass removal / installation	22
5.2	crystal ember installation	22
<b>6.0</b>	<b>operating instructions</b>	<b>23</b>
6.1	operating touch display panel	23
6.2	operating remote control	25
6.3	timer settings on remote control	26
6.3.1	set current day and time	26
6.3.2	set ON/OFF time and temperature on a weekly cycle	26
6.3.3	open window warning	26
<b>7.0</b>	<b>replacement parts</b>	<b>27</b>
7.1	NEFL42/50/60/72/100HI-EU overview	28
<b>8.0</b>	<b>troubleshooting</b>	<b>29</b>
<b>9.0</b>	<b>warranty</b>	<b>31</b>

**note:**

The information throughout this manual is believed to be correct at the time of printing. Wolf Steel Ltd. reserves the right to change or modify any information within this manual at any time without notice. Changes, other than editorial, are denoted by a vertical line in the margin.

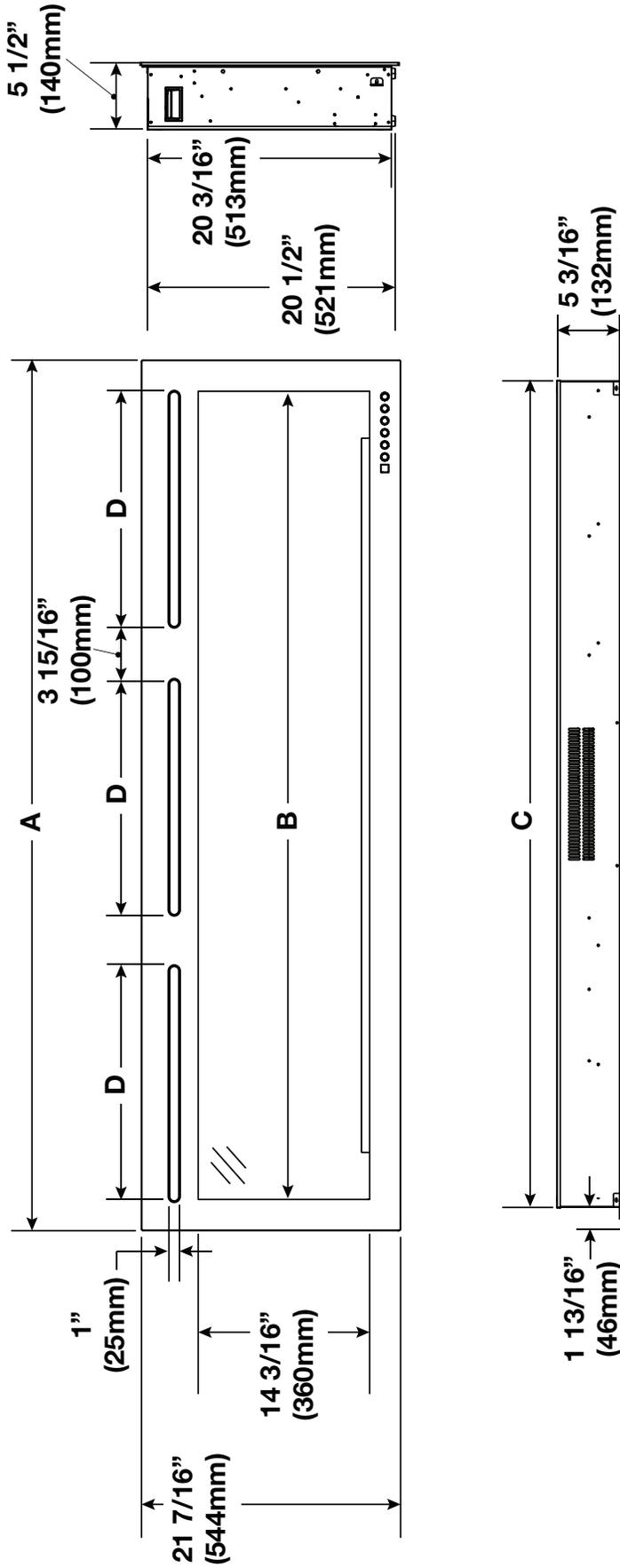
1.1 dimensions (NEFL42/50/60HI-EU)



	A	B	C
NEFL42HI-EU	42" (1067mm)	37 5/16" (948mm)	38 15/16" (989mm)
NEFL50HI-EU	50" (1270mm)	45 5/16" (1151mm)	46 15/16" (1192mm)
NEFL60HI-EU	60" (1524mm)	55 5/16" (1405mm)	56 15/16" (1446mm)

# general information

## 1.2 dimensions (NEFL72/100HI-EU)



	A	B	C	D
NEFL72HI-EU	72" (1829mm)	66 7/8" (1697mm)	68 7/16" (1738mm)	19 5/8" (499mm)
NEFL100HI-EU	100" (2540mm)	94 15/16" (2411mm)	96 7/16" (2450mm)	29" (736mm)

### 1.3 rating plate information

The below illustration is for reference only. Refer to the appliance rating plate for accurate information.

ELECTRIC FIREPLACE. SUITABLE FOR BEDROOM AND BED-SITTING ROOM INSTALLATION. SUITABLE FOR MOBILE HOME INSTALLATION.

VOLTAGE: 220-240 VAC  
 FREQUENCY: 50Hz  
 POWER: 1400-1600W  
 DATE CODE: XXXXX

**MODELS**

NEFL42HI-EU     NEFL50HI-EU     NEFL60HI-EU     NEFL72HI-EU     NEFL100HI-EU

Manufacturer: Wolf Steel Ltd.  
 24 Napoleon Road,  
 Barrie, ON, L4M 0G8 Canada

Importer: Wolf Steel Europe BV  
 De Riemsdijk 22, 4004 LC Tiel,  
 The Netherlands

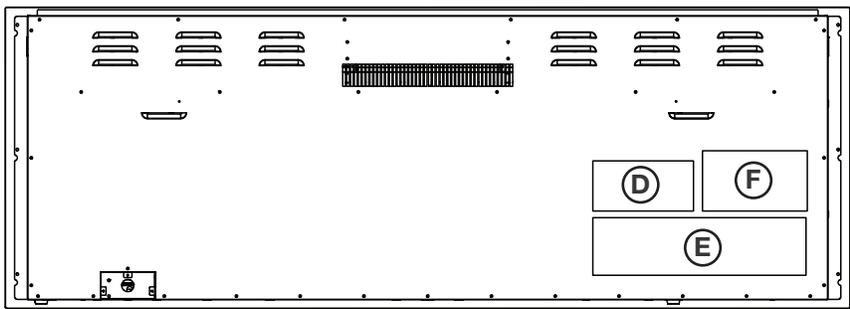
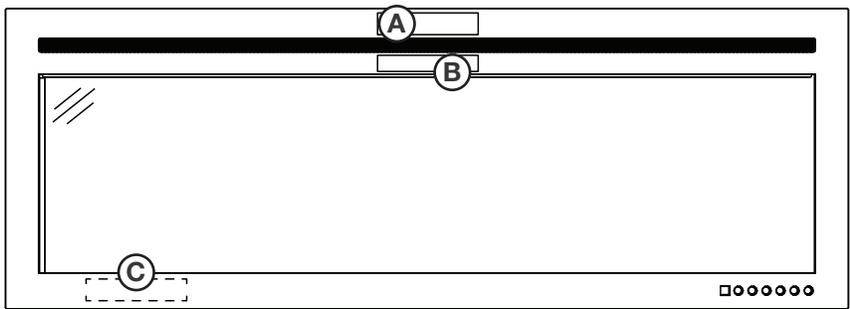
DESIGNED IN NORTH AMERICA  
 BY WOLF STEEL LTD.  
 MADE IN CHINA

SERIAL NUMBER: NEFLXX W385-4537 / A

**note:**  
 The rating plate must remain with the appliance at all times. It must not be removed.

### 1.4 label location

**note:**  
 For illustrative purposes only. Label locations may vary.



Ref.	Part Number	Label Description
A	W385-2210	"Do Not Cover"
B	W385-2017	"Hot Surface"
C	-	Serial Number *
D	W385-2167	Caution
E	W385-2163	Warning
F	W385-2389	Rating Plate (NEFL42/50/60/72/100HI-EU)

\* Located behind glass on metal surface.

# general information

## 1.5 listing approvals

This appliance has been tested with the GS Standards for fixed and located-dedicated electric room appliances in Europe. If you need assistance during installation, please contact your local dealer.

Model	NEFL42HI-EU	NEFL50HI-EU	NEFL60HI-EU	NEFL72HI-EU	NEFL100HI-EU
<b>Description</b>	Electric Appliance				
<b>Type</b>	3 Way Mounting Appliance: Wall-Mount, Recessed into Wall and Recessed into Mantel				
<b>Voltage</b>	220-240V AC				
<b>Watts</b>	MAX 1600W				
<b>Amps</b>	Dedicated 15 AMP Grounded Circuit				
<b>Appliance Width</b>	42" (1067mm)	50" (1270mm)	60" (1524mm)	72" (1828mm)	100" (2540mm)
<b>Appliance Height</b>	21 7/16" (544mm)				
<b>Appliance Depth</b>	5 1/2" (140mm)				
<b>Net Weight</b>	42lbs (19kg)	53lbs (24kg)	60.4lbs (27.4kg)	84lbs (38kg)	121lbs (55kg)
<b>Gross Weight</b>	53lbs (24kg)	61.7lbs (28kg)	81lbs (36.7kg)	95lbs (43kg)	135lbs (61kg)

## 1.6 general instructions

### WARNING

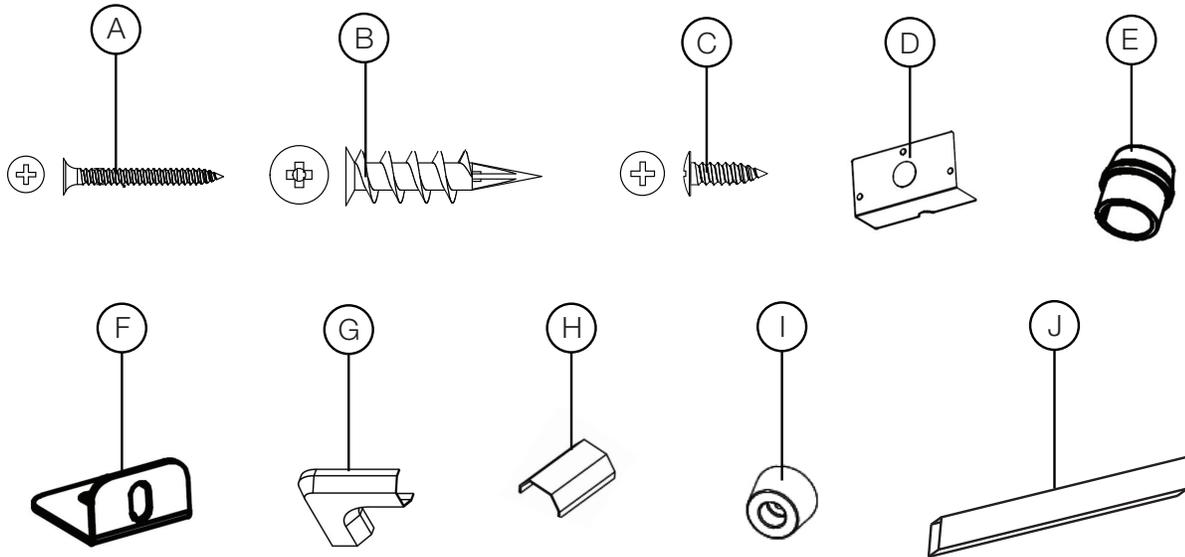
- Read these instructions completely before beginning installation. Failure to follow them could cause an appliance malfunction resulting in serious injury and/or property damage.
  - All electric appliances have hot and arcing or sparking parts inside. Do not use it in areas where gasoline, paint, or flammable liquids are present.
  - This electric appliance is tested and listed for use only with the optional accessories listed in these instructions. Use of optional accessories not specifically tested for this electric appliance could void the warranty and/or result in a safety hazard.
  - Do not open. Risk of electric shock. No user-serviceable parts inside.
  - Do not use damaged electrical cords.
  - Servicing should be done only while the appliance is disconnected from the power supply circuit.
  - To prevent electric shock, match the wide blade of plug to wide slot of receptacle and fully insert.
- Prior to plugging your appliance into an electrical outlet, verify that the house circuit breakers for the outlet are on.
  - The appliance may emit a slight, harmless odour when first used. This odour is normal and it is caused by the initial heating of internal appliance elements and will not occur again.
  - If your appliance does not emit heat when called for, consult the "operation" section of this manual for further information.
  - Do not route the power cord directly underneath the appliance.

**As with most electronic devices, your new electric appliance has been designed to operate at temperatures between 5°C (41°F) and 35° C (95°F). During the colder winter months, allow the appliance to reach room temperature before turning it on.**

## 1.7 unpacking and testing the appliance

Carefully remove the appliance from the box and remove the support brackets. Prior to installing the appliance, remove all packaging material and test to make sure the appliance operates properly by plugging the power supply cord into a conveniently located 220-240V, 10 amp minimum grounded outlet.

## 1.8 hardware list



Ref.	Description	Quantity				
		NEFL42HI-EU	NEFL50HI-EU	NEFL60HI-EU	NEFL72HI-EU	NEFL100HI-EU
A	Wood Screws		6			12
B	Drywall Anchors		6			12
C	Metal Screws			8		
D	Cover Plate			1		
E	Strain Relief			1		
F	Metal Bracket			4		
G	Cord Corner			2		
H	Cord Corner			2		
I	Rubber Foot		4			6
J	Long cord cover			2		

## 2.0 appliance placement

### **WARNING**

- Due to high temperatures, this electric appliance should be located out of traffic. Keep combustible materials such as furniture, pillows, bedding, papers, clothes, curtains, and similar items at least 36" from the front of the appliance.
- Never located this electric appliance where it may fall into a bathtub or other water container.
- Wear safety gloves and safety glasses for protection during installation and maintenance.
- To prevent contact with sagging or loose insulation, the electric appliance must not be installed against vapor barrier or exposed insulation. Localized overheating could occur and fire could result.
- Do not expose the electric appliance to the elements (such as rain, etc.)

## **! WARNING**

- Risk of fire! The power cord must not be pinched against a sharp edge. Secure cord to avoid tripping or snagging to reduce the risk of fire, electric shock, or personal injury. Do not run cord under carpeting. Do not cover cord with throw rugs, runners, or similar items. Arrange cord away from traffic areas and where it will not be tripped over.
- Risk of fire! To prevent a possible fire, do not block air intake or exhaust in any manner. Do not use on soft surfaces where openings may become blocked.
- Risk of fire! Do not blow or place insulation against the appliance.
- This electric appliance is tested and listed for use only with the approved optional accessories. Use of optional accessories not specifically tested for this electric appliance could void the warranty and/or result in a safety hazard.
- If the information in these instructions is not followed exactly, a fire or explosion may result causing property damage, personal injury, or death. Do not store or use gasoline or other flammable vapors in the vicinity of this or any other appliance.
- This appliance is heavy. It is highly recommended that two people install this appliance.
- If your appliance is equipped with a heater, ensure the heater vents cannot, in any way, be covered as it may create a fire hazard.
- Do not run the power cord horizontally, directly below the appliance.

Your NEFL42/50/60/72/100HI-EU can be wall-mounted, recessed and/or mantel-installed. Select a suitable location that is not susceptible to moisture and is away from drapes, furniture and high traffic areas.

**note:**

Follow all national and local electrical codes.

### 3.1 minimum clearance to combustibles

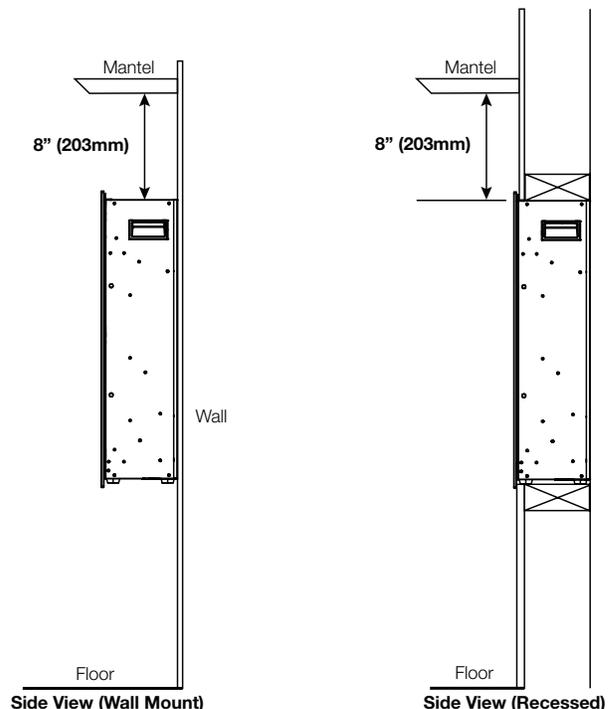
## **! WARNING**

- When using paint or lacquer to finish a mantel, the paint or lacquer must be heat resistant to prevent discoloration.

**note:**

The power switch is located on the top left hand side of the appliance. Ensure this switch always remains accessible.

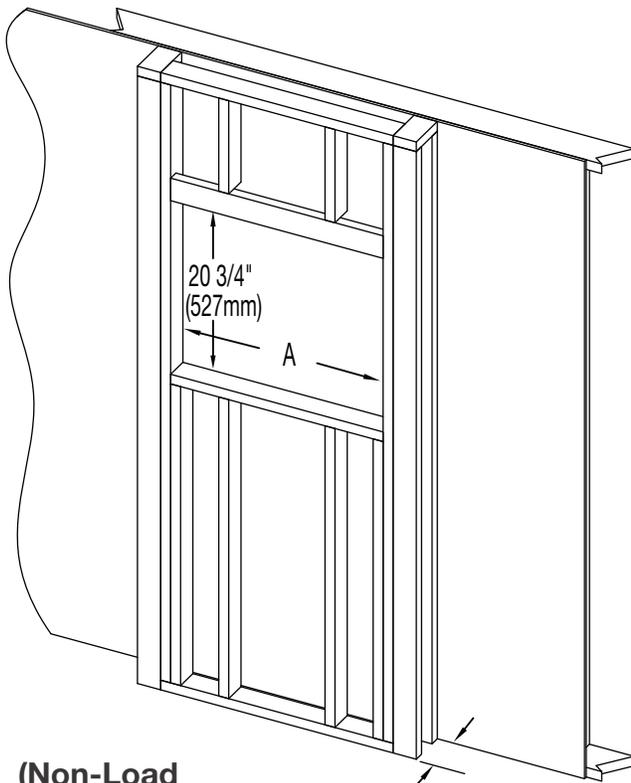
Measurements are taken from the glass front	
Bottom	0"
Sides	
Back	
Top	8" (203mm) to ceiling
	8" (203mm) to mantel



# installation

## 3.2 framing

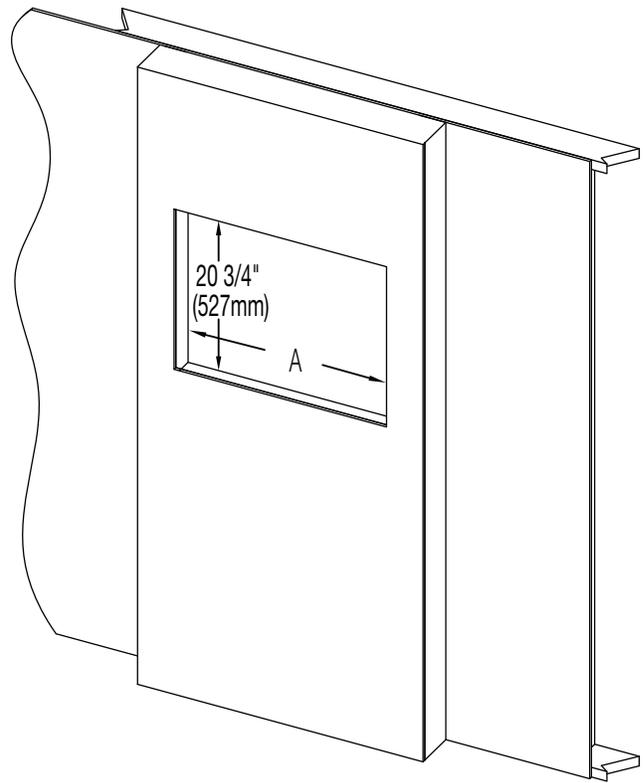
### Finishing Material



**(Non-Load  
Bearing)**

3 1/2" (89mm) MIN

5" (127mm) MAX

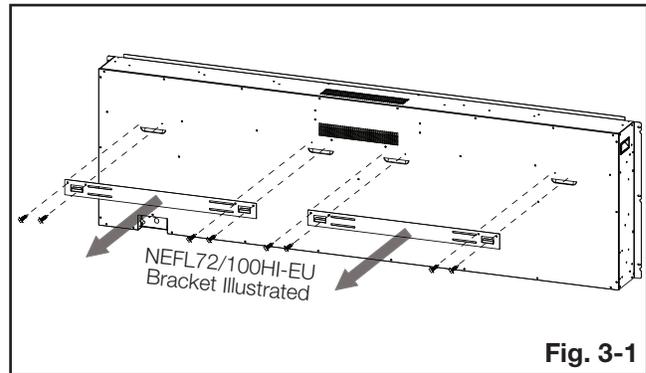
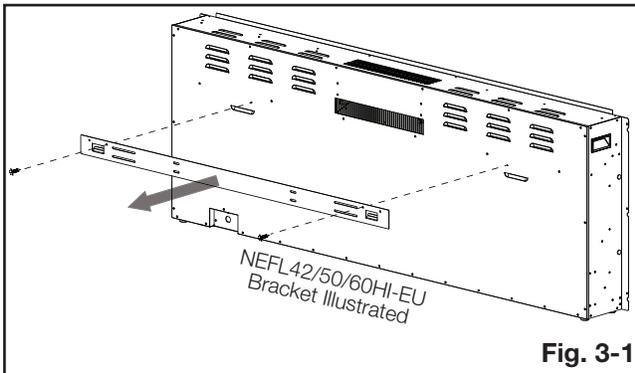


MODEL NO.	A
NEFL42HI-EU	39 1/2" (1002mm)
NEFL50HI-EU	47 1/2" (1205mm)
NEFL60HI-EU	57 1/2" (1459mm)
NEFL72HI-EU	69" (1752mm)
NEFL100HI-EU	97" (2463mm)

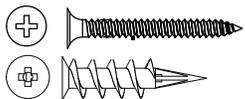
### 3.3 wall mount installation

Due to the many different materials used on different walls, it is highly recommended that you consult your local builder before you install this appliance on the wall.

- A. Select a location that is not prone to moisture and is located at least 36" (91.4cm) away from combustible materials such as curtain drapes, furniture, bedding, paper, etc.
- B. Remove the front glass (see "front glass removal / installation" section).
- C. Have two people hold the appliance against the wall to determine the final location.
- D. Place appliance face down on a soft, non abrasive surface. Remove the bracket from the back of the appliance by removing the screws (**Fig. 3-1**). Set the bracket aside and discard the screws.



- E. Mark out location, then mount the bracket onto the wall using screws (supplied). This bracket **MUST** have the hooks facing upward and be level (**Fig. 3-2**).



**A x 6 for NEFL42/50/60HI-EU**

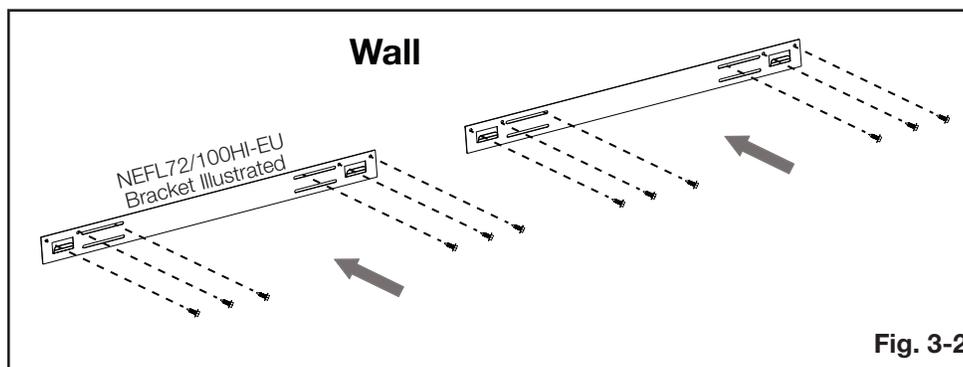
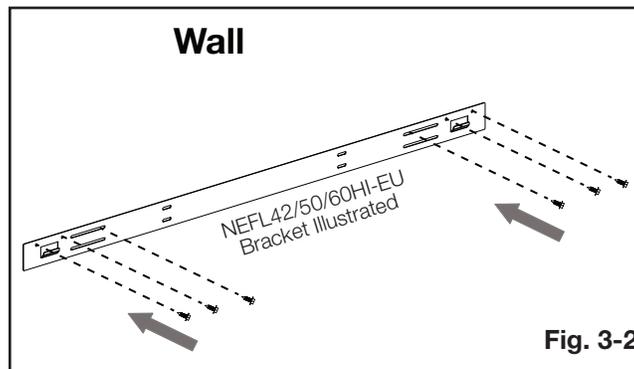
**A x 12 for NEFL72/100HI-EU**

**B x 6 for NEFL42/50/60HI-EU**

**B x 12 for NEFL72/100HI-EU**

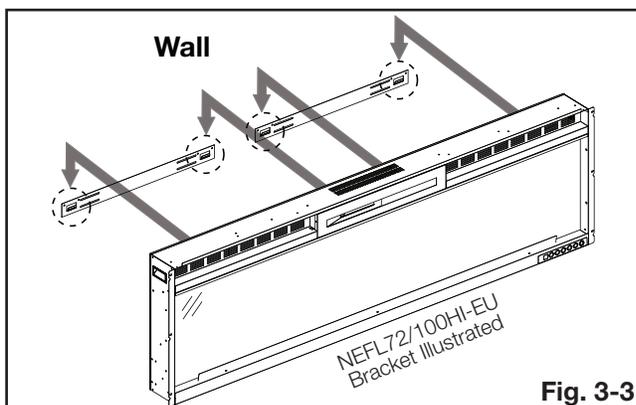
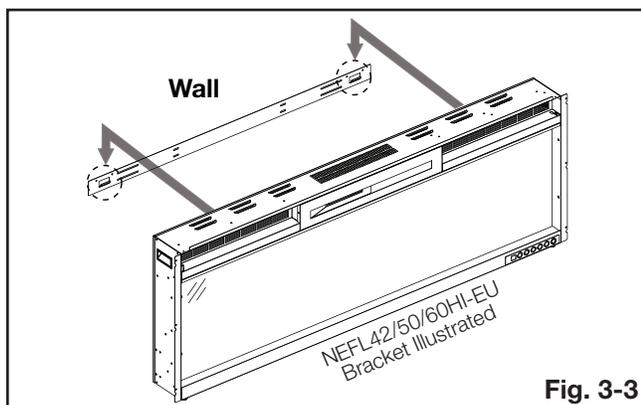
**note:**

It is strongly recommended that the mounting bracket be screwed into the wall studs where possible. If the wall studs cannot be used, ensure that the supplied plastic anchors are used to affix the bracket to the wall and the bracket is adequately secured.



# installation

- F. With the wall mounting bracket installed, have two people lift the appliance up and insert the hooks on the back of the appliance (Fig. 3-3).



- G. Check the appliance for stability ensuring that the bracket will not pull free from the wall.
- H. Install media (see “crystal ember installation” section). **You must complete this step before moving onto the next step.**
- I. Reinstall the front glass.

### 3.4 recessed pre-installation

Due to the many different materials used on different walls, it is highly recommended that you consult your local builder before you install this appliance on the wall.

**note:**

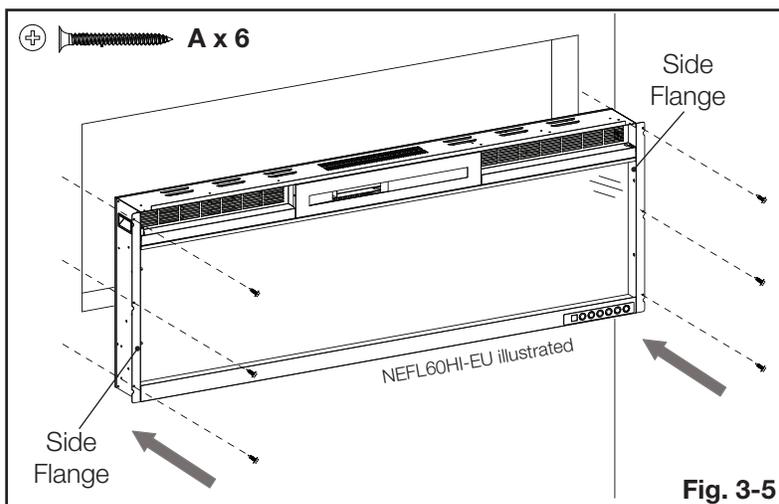
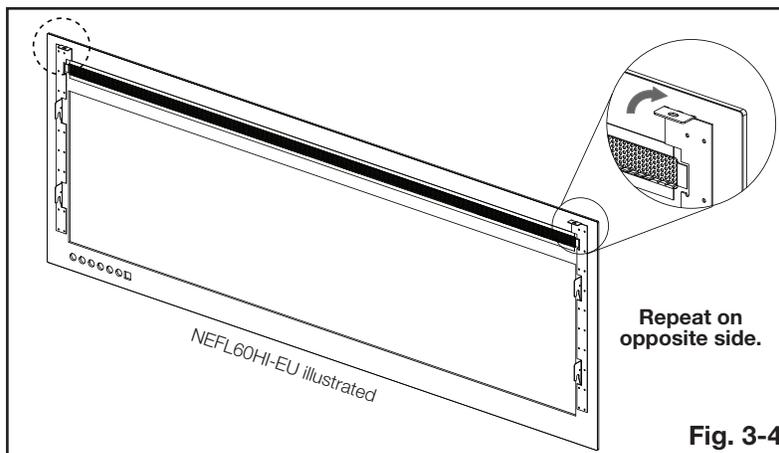
It is recommended the walls of the appliance enclosure be finished (i.e. drywall) to avoid exposed insulation or vapour barrier coming in contact with the appliance. This will ensure clearance to combustibles is maintained.

The appliance tabs come bent. You must bend the tab flat by hand when fully recessing the appliance into the wall (see “fully recessed” section).

- A. Select a location that is not prone to moisture and is located at least 36” (94.1cm) away from combustible materials such as curtain drapes, furniture, bedding, paper, etc.
- B. Measure the appliance and create a rough-in frame with electrical (see “framing” section).
- C. Remove the front glass (see “front glass removal / installation” section).
- D. Hold the appliance up to ensure it will fit into the framing.

#### 3.4.1 fully recessed installation

- A. Bend the two top tabs upward on the front glass until they are flat (**Fig. 3-4**). Set the front glass aside.
- B. Remove power cord and complete hardwiring (see “hardwiring installation” section).
- C. Insert the appliance into the rough-in frame, and then secure it by installing 6 screws (supplied) through the side flanges (**Fig. 3-5**).
- D. Install media (see “crystal ember installation” section). **You must complete this step before moving onto the next step.**
- E. Reinstall the front glass.



# installation

## 3.4.2 partially recessed installation

- A. Install 2 metal brackets (1 per side) (supplied) onto the top sides of the appliance (**Fig. 3-6**).

**note:**

The appliance comes with 2 screws already installed in the bracket locations. Ensure to remove those screws, re-use them to fix the metal brackets to the appliance, and then screw the brackets to the wall.

The appliance comes with 2 metal brackets installed. You can choose to use these brackets during installation, or discard them and use the 4 new brackets from the hardware kit.

- B. Remove the power cord and complete hardwiring (see “hardwiring installation” section).
- C. Insert the appliance as far into the rough-in frame as possible/desired, and then secure it by installing 2 screws (supplied) through the metal brackets (**Fig. 3-7**).
- D. Install media (see “crystal ember installation” section). **You must complete this step before moving onto the next step.**
- E. Reinstall the front glass.

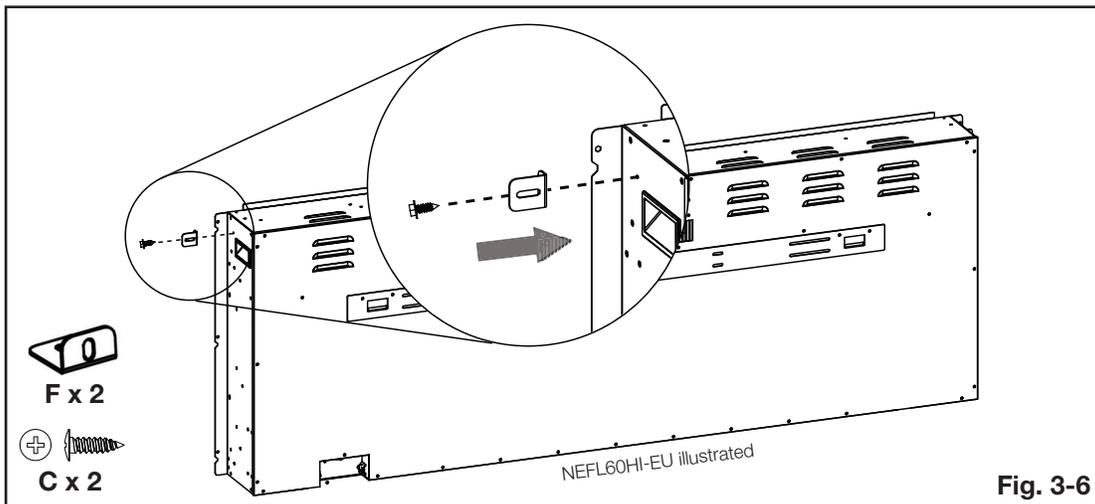


Fig. 3-6

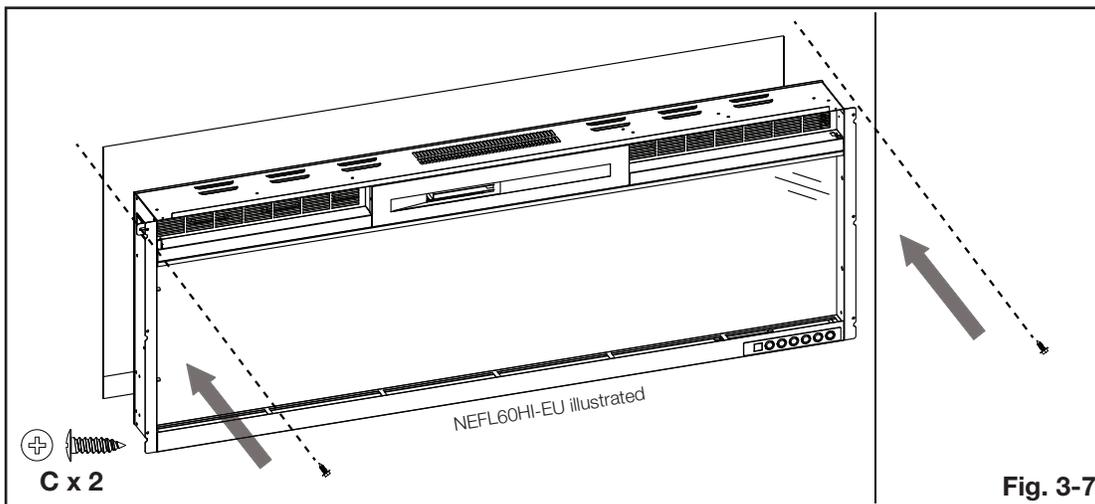


Fig. 3-7

## 4.1 hard-wiring installation

### ! WARNING

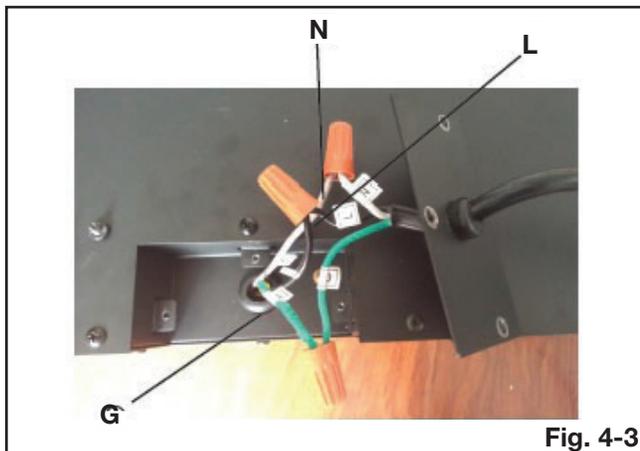
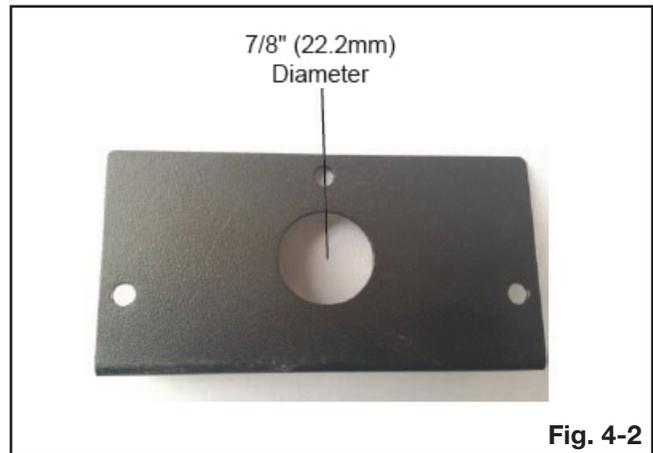
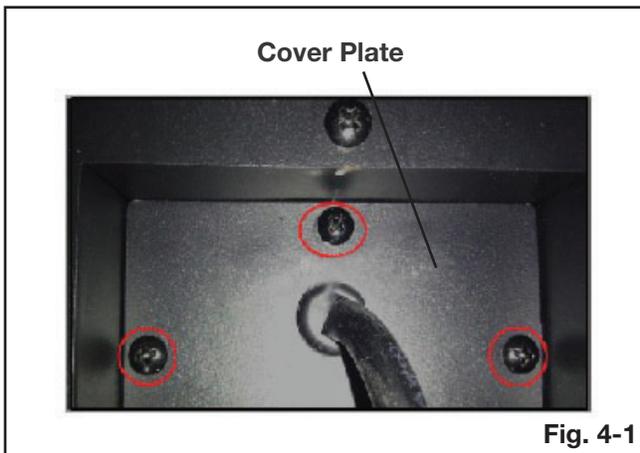
- Turn off the appliance completely and let it cool down before servicing. Only a qualified service person should service and repair this electric appliance.

#### Hard-Wiring Connection

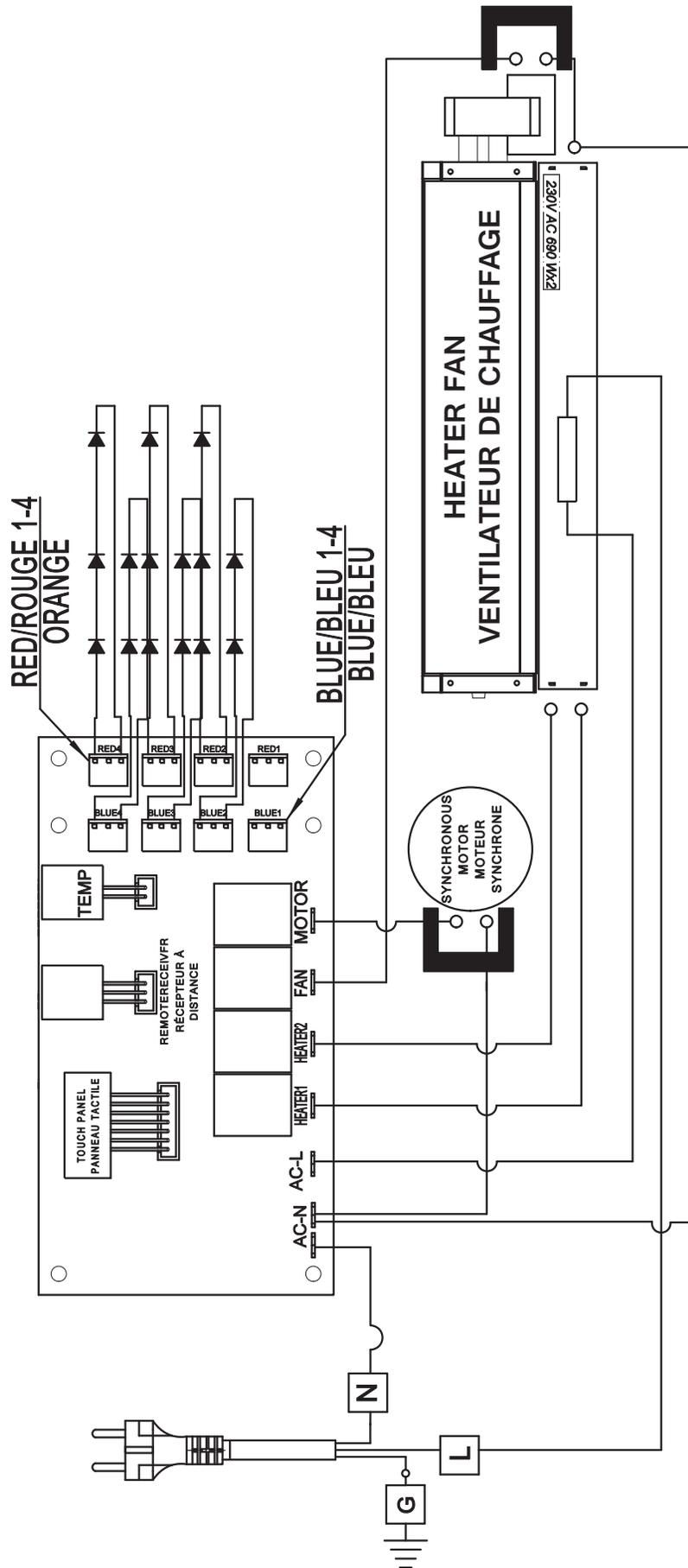
If it is necessary to hard-wire this appliance, a qualified electrician must remove the cord connection and wire the appliance directly to the household wiring.

The appliance must be electrically connected and grounded in accordance with local codes.

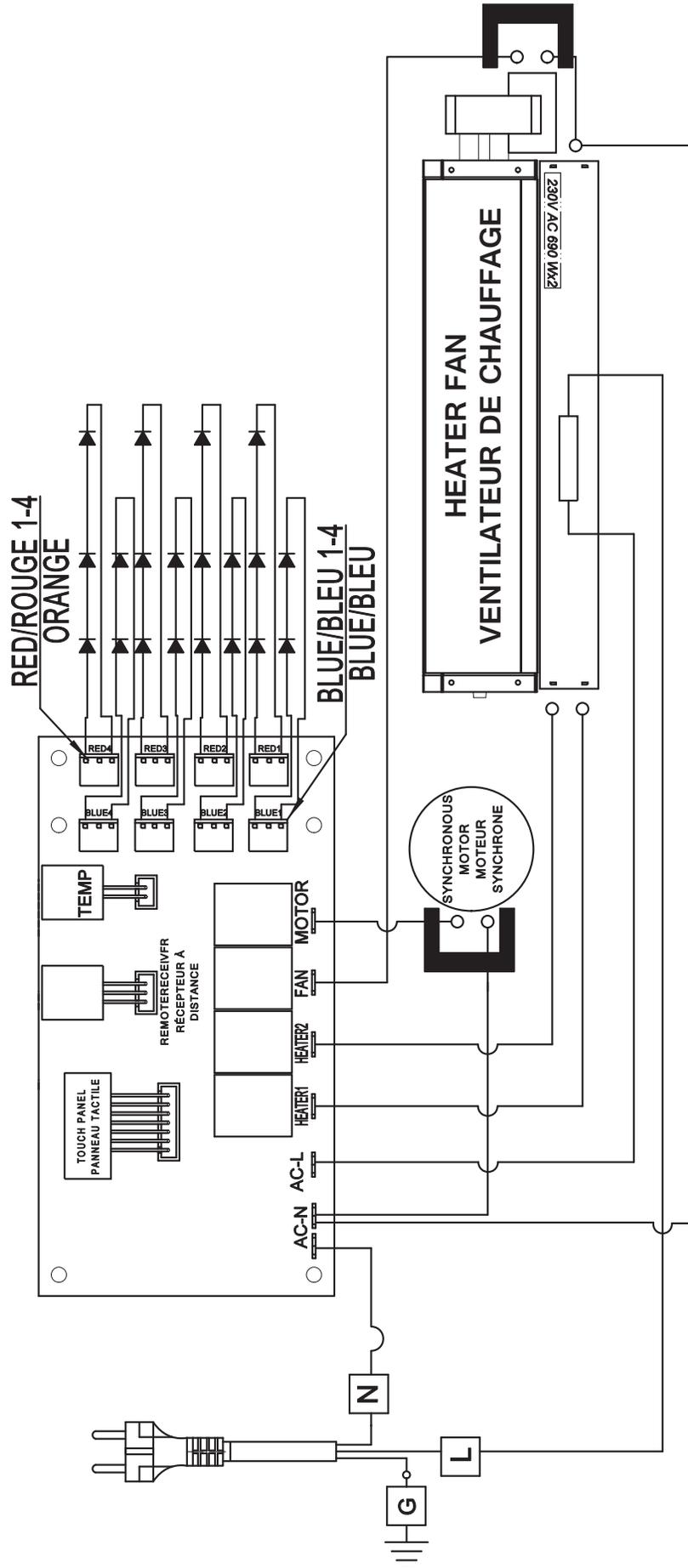
1. Remove the cover plate from the right side bottom of the appliance by removing the 3 screws (**Fig. 4-1**).
2. Remove the wire connectors from the power cord. The power cord may be discarded.
3. Punch out the 7/8" (22.2mm) hole in the new cover plate (supplied) (**Fig. 4-2**) and install a box connector through the junction box. Snap the box connector clamp onto the supply wires.
4. Using the wire connectors supplied in the hardware kit, connect the ground green wires (G), the common white wires (N) together, and the hot black wires (L) (**Fig. 4-3 and 4-4**).
5. Reinstall the cover plate using the 3 screws previously removed in step 1.



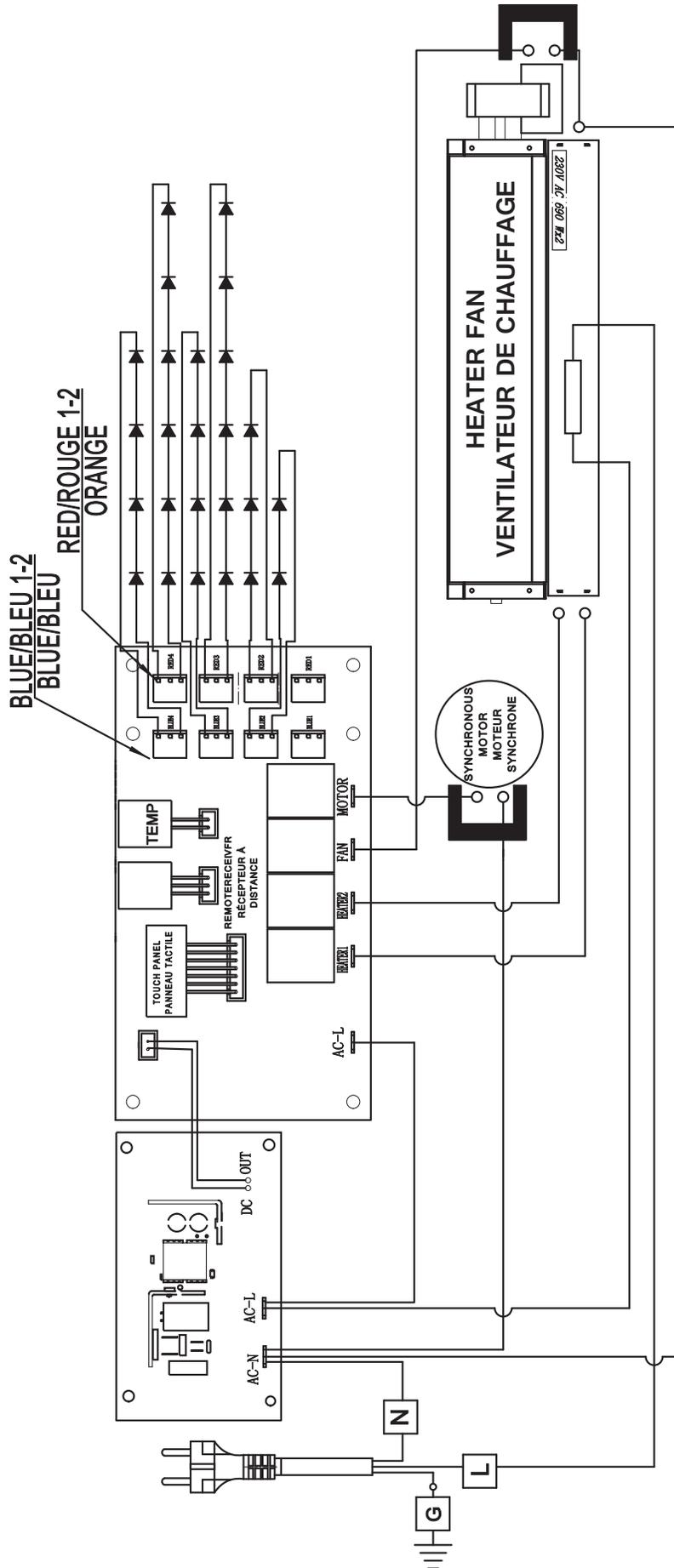
4.2 wiring diagram (NEFL42HI-EU)



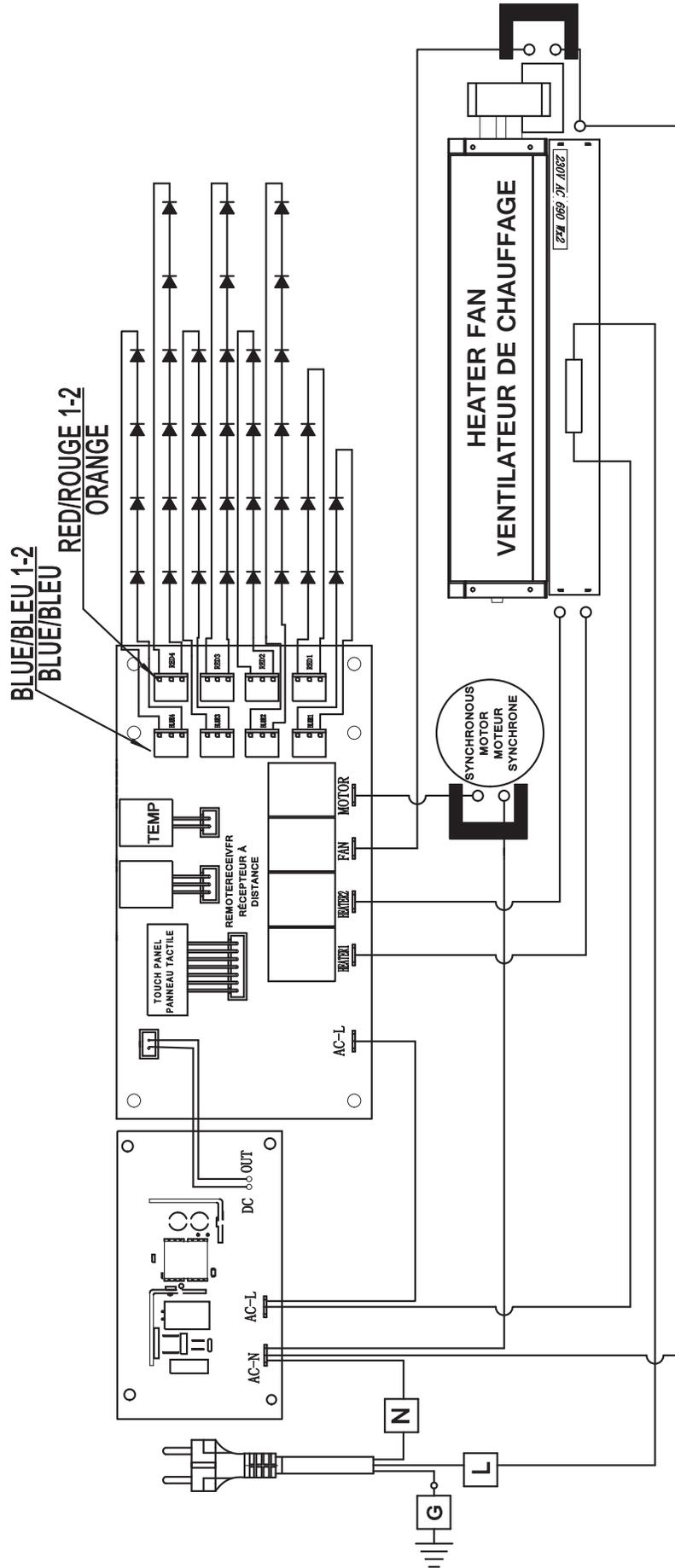
4.3 wiring diagram (NEFL50/60HI-EU)



4.4 wiring diagram (NEFL72HI-EU)



4.5 wiring diagram (NEFL100HI-EU)



## 5.0 finishing

### **!** WARNING

- Power supply service must be completed prior to finishing to avoid reconstruction.
- Heat vents and air openings cannot be covered in any circumstances.

### 5.1 front glass removal / installation

- With one hand on the front glass to prevent it from falling, remove the two screws (1 per side) from the top of the appliance (**Fig. 5-1**). Set the screws aside.
- Carefully lift the front glass up and away from the appliance (**Fig. 5-2 and 5-3**). Place it face down on a soft, non-abrasive surface.
- Reverse these steps to install the front glass.

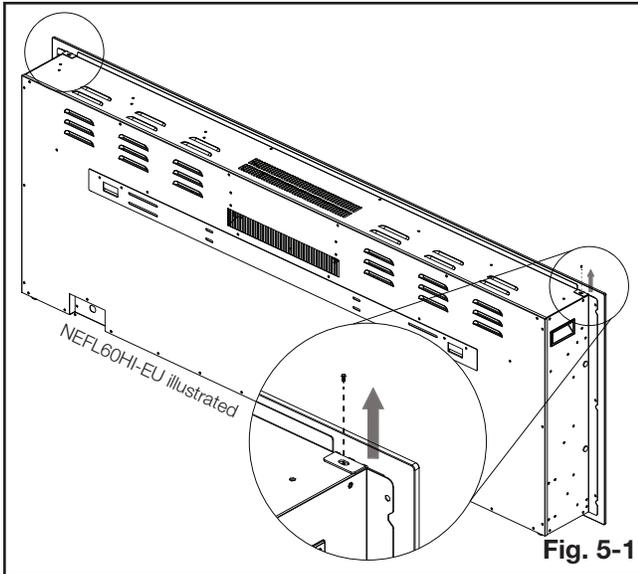


Fig. 5-1

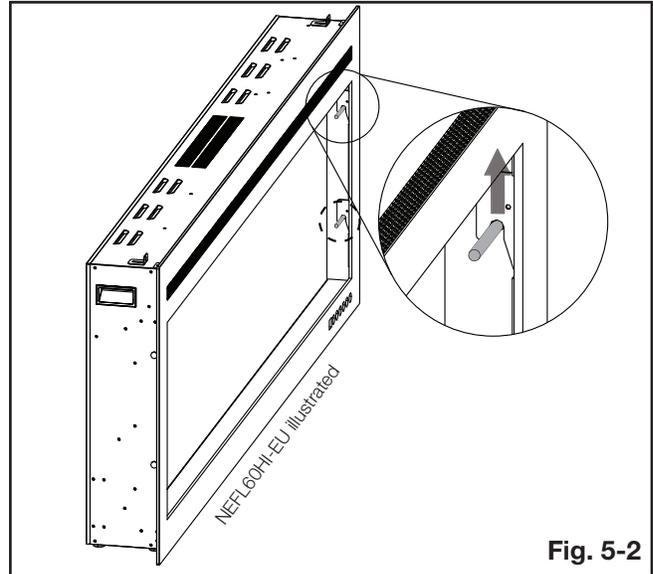


Fig. 5-2

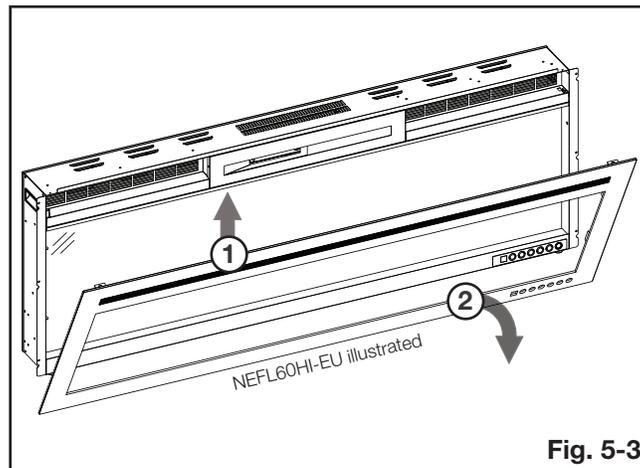


Fig. 5-3

### 5.2 crystal ember installation

The glass surround must be removed and the appliance must be secured in its final location before the crystal embers are installed.

- Clean crystal embers with mild dish soap. Then drain, rinse, and dry the crystal embers before placing them into the tray.
- Carefully place crystal embers into the bottom tray on the front of the appliance as illustrated. Apply an even layer from side to side.
- Reinstall the front glass.



Once the appliance has been plugged into a grounded electrical outlet or hard-wired to a dedicated 220-240V power supply, it is ready to operate.

**note:**

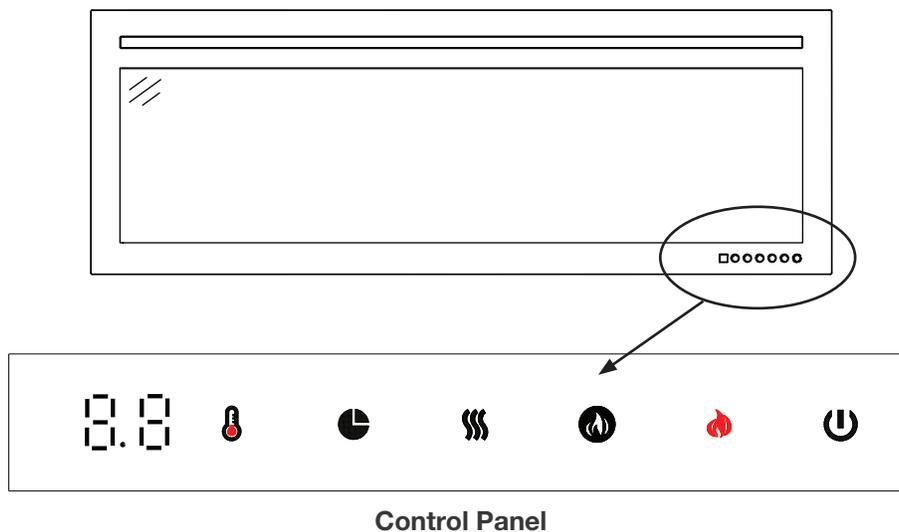
Ensure the house circuit breakers for the power supply are turned on. In the event of a power failure, the appliance will lose its memory function and will reset to factory mode when the power returns.

## 6.1 operating touch display panel

### **! WARNING**

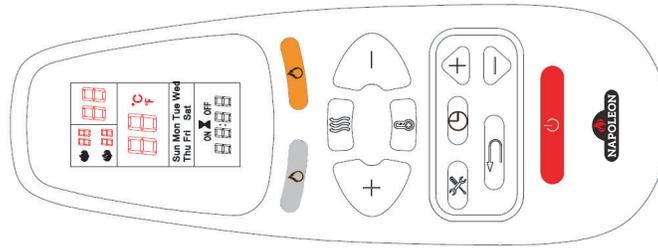
- Do not move or remove the glass panel, when the appliance is plugged in and operating. This will cause the remote control and touch panel to no longer function.

The touch display panel is shown by LED's on the bottom right corner of the appliance. The LED's will disappear after 3 seconds of no function change. The Main Power button will disappear.



Power		Turns the appliance on / off.																																					
Orange Flame		Controls orange flame brightness.  <b>5 Settings:</b> F4 - Brightest F3 F2 F1 ↓ F0 - Dimmest																																					
White Flame		Controls white flame brightness.  <b>5 Settings:</b> F4 - Brightest F3 F2 F1 ↓ F0 - Dimmest																																					
Heater		Controls the heater. Press button to initiate.  <b>4 Settings:</b> H0 - No heater or blower bL - Blower only H1 - Heater blows warm air (750W) H2 - Heater blows hot air (1500W)  <b>NOTE:</b> Heater functions cycle from H0-bL-H1-H2. Press and hold the heater button for 5 seconds to lock the heater and temperature to the selected setting. Press and hold the button again for 5 seconds to unlock.																																					
Timer		Controls the timer. Press button until desired setting is reached.  <b>9 Settings:</b> 30, 1H, 2H, 3H, 4H, 5H, 6H, 7H, 8H																																					
Temperature		Controls the temperature.  1. Press once to activate the touch panel indicator. 2. Press again until desired setting is reached. Digital display shows setting circles as below:  <table border="1" data-bbox="620 1614 1318 1734"> <thead> <tr> <th>Display Value</th> <th>0</th> <th>1</th> <th>2</th> <th>3</th> <th>4</th> <th>5</th> <th>6</th> <th>7</th> <th>8</th> <th>9</th> <th>N</th> </tr> </thead> <tbody> <tr> <td rowspan="2">Temperature</td> <td>°C</td> <td>18</td> <td>19</td> <td>20</td> <td>21</td> <td>22</td> <td>23</td> <td>24</td> <td>25</td> <td>26</td> <td>27</td> <td>ON</td> </tr> <tr> <td>°F</td> <td>64</td> <td>66</td> <td>68</td> <td>70</td> <td>72</td> <td>74</td> <td>76</td> <td>78</td> <td>80</td> <td>82</td> <td>ON</td> </tr> </tbody> </table>  <b>NOTE:</b> Press and hold the button for 5 seconds to switch the temperature from °C to °F and vice versa.	Display Value	0	1	2	3	4	5	6	7	8	9	N	Temperature	°C	18	19	20	21	22	23	24	25	26	27	ON	°F	64	66	68	70	72	74	76	78	80	82	ON
Display Value	0	1	2	3	4	5	6	7	8	9	N																												
Temperature	°C	18	19	20	21	22	23	24	25	26	27	ON																											
	°F	64	66	68	70	72	74	76	78	80	82	ON																											

## 6.2 operating remote control



<b>POWER</b>		Turns the appliance ON/OFF.																																					
<b>FLAME - ORANGE</b>		Controls Orange Flame brightness. <b>6 Settings:</b> F5-F4-F3-F2-F1-F0. Flame dims from F5 to F1. F5 is the brightest setting and F0 is off.																																					
<b>FLAME - WHITE</b>		Controls White Flame brightness. <b>6 Settings:</b> F5-F4-F3-F2-F1-F0. Flame dims from F5 to F1. F5 is the brightest setting and F0 is off.																																					
<b>HEATER</b>		Turns the heater ON/OFF. (H0) - No heater or blower. (BL) - Blower only. (H1) - Heater blows warm air (H2) - Heater blows hot air  <b>Note:</b> Heater functions cycle from H0-BL-H1-H2. Press and hold the heater button for 5s to lock the heater and temperature setting onto the selected setting. Hold the button for another 5s to unlock and heater and temperature setting.																																					
<b>TIMER SETTINGS ON REMOTE CONTROL</b>																																							
: <b>Timer:</b> Displays current day, time, and week. Press to enter or confirm timer settings.																																							
: <b>Settings:</b> Press to move to next step (use with Timer button). Press to confirm week timer.																																							
: <b>Back:</b> Press to clear timer settings. Press to return to the previous step (use with Settings button).																																							
: <b>Up and Down</b> (use with Settings button).																																							
<b>LCD Screen</b>																																							
<b>Weekday</b> → Mon, Tues, Wed, Thurs, Fri, Sat, Sun		<b>Note:</b> The functions can only be adjusted when the related letters or digits are flashing.																																					
<b>Time Display</b> →																																							
<b>Current Time / Timer</b> From 00: 00 to 24 <b>NOTE:</b> 00-12:00 is AM / 13:00-24:00 is PM																																							
<b>TEMPERATURE</b>		<ol style="list-style-type: none"> <li>Press once to turn the touch panel indicator ON.</li> <li>Press button until desired setting is reached. Digital display shows setting circles are follows:</li> </ol> <table border="1"> <thead> <tr> <th>Display Value</th> <th>0</th> <th>1</th> <th>2</th> <th>3</th> <th>4</th> <th>5</th> <th>6</th> <th>7</th> <th>8</th> <th>9</th> <th>N</th> </tr> </thead> <tbody> <tr> <td rowspan="2">Temperature</td> <td>°C</td> <td>18</td> <td>19</td> <td>20</td> <td>21</td> <td>22</td> <td>23</td> <td>24</td> <td>25</td> <td>26</td> <td>27</td> <td>ON</td> </tr> <tr> <td>°F</td> <td>64</td> <td>66</td> <td>68</td> <td>70</td> <td>72</td> <td>74</td> <td>76</td> <td>78</td> <td>80</td> <td>82</td> <td>ON</td> </tr> </tbody> </table> <p><b>Note:</b> Holding the button for 5s will switch the temperature from C° to F° and vice versa.</p>	Display Value	0	1	2	3	4	5	6	7	8	9	N	Temperature	°C	18	19	20	21	22	23	24	25	26	27	ON	°F	64	66	68	70	72	74	76	78	80	82	ON
Display Value	0	1	2	3	4	5	6	7	8	9	N																												
Temperature	°C	18	19	20	21	22	23	24	25	26	27	ON																											
	°F	64	66	68	70	72	74	76	78	80	82	ON																											

# operating instructions

## 6.3 timer settings on remote control

### 6.3.1 set current day and time

1. Press  once. When "MON" (Monday) begins flashing, use  to select the current day.
2. Press . When the hour digits begin flashing, use  to select the current hour.
3. Press  again. When the minute digits begin flashing, use  to select the current minute.
4. Press  again. The current time is now set.

### 6.3.2 set ON/OFF time and temperature on a weekly cycle

1. Press . When "MON" begins flashing, press  3 times. When "ON" begins flashing, use  to select the desired hour and minute to turn on the heater. Press  at any time to clear the digits and shut down "ON" timer.

**note:**

The timer can only be adjusted in 30-minute increments (i.e. 00:00 - 00:30; 00:30 - 01:00, etc.).

2. Press . When "OFF" begins flashing, use  to select the desired hour and minute to turn off the heater. Press  at any time to clear the digits and shut down "OFF" timer.
3. Press  again. When "18" begins flashing, use  to select the desired temperature for Monday.

**note:**

If the temperature was previously set, those digits will be shown instead of "18".

4. Press  again. When "TUES" appears on the screen and "ON" begins flashing, use  to select the desired hour and minute to turn on the heater for Tuesday.
5. Press  again. When "OFF" begins flashing, press  to select the desired hour and minute to turn off the heater for Tuesday,
6. Press  again. When "18" begins flashing, use  to select the desired temperature for Tuesday,
7. Repeat steps 1 to 6 to set the "ON/OFF" time and temperature for Wednesday, Thursday, Friday, Saturday, and Sunday.
8. Press  or  to complete programming, ensuring to aim the remote control at the receiver, located in the middle of the appliance. The appliance will "beep" once to confirm that programming has been successful.

### 6.3.3 open window warning

If the room temperature decreases by 10 degrees within 3 minutes, the appliance will assume there is an open window nearby. In order to conserve energy, the heater will automatically switch from High Heat to Low Heat, or if the heater is already at Low Heat, it will turn off completely.

When switching from High Heat to Low Heat, the appliance will beep 3 times and the digital display will flash "88" three times before displaying the existing heating status.

When switching from Low Heat to Off, the appliance will beep 3 times and the digital display will flash "88" continuously.

To reset the heating function, see "operating remote control" section.

**! WARNING**

- Failure to position the parts in accordance with this manual or failure to use only parts specifically approved with this appliance may result in property damage or personal injury.

Contact your dealer for questions concerning prices and policies on replacement parts. Normally, all parts can be ordered through your Authorized dealer / distributor.

**For warranty replacement parts, a photocopy of the original invoice will be required to honour the claim.**

When ordering replacement parts always give the following information:

- Model & Serial Number of appliance
- Installation date of appliance
- Part number
- Description of part
- Finish

**Parts, part numbers, and availability are subject to change without notice.**

**Parts identified as stocked will be delivered within 2 to 5 business days for most delivery destinations.**

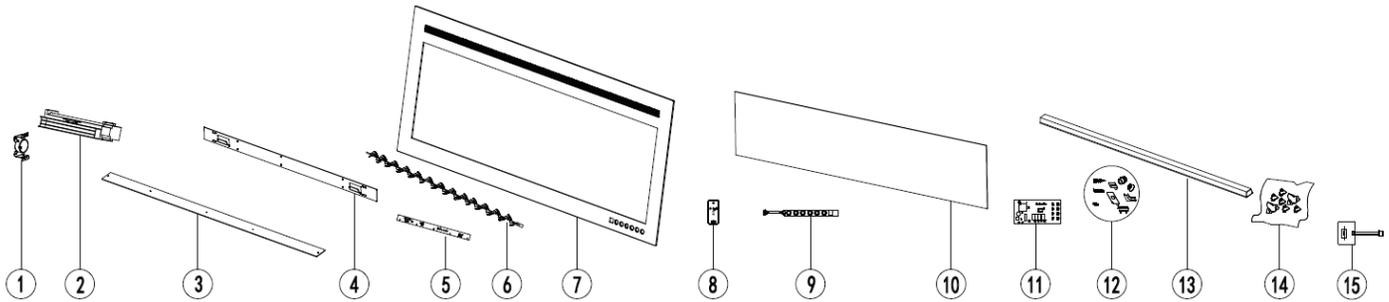
**Parts not identified as stocked will be delivered within a 2 to 4 week period, for most cases.**

**Parts identified as 'SO' are special order and can take up to 90 days for delivery.**

**note:**

Care must be taken when removing and disposing of any broken glass or damaged components. Be sure to vacuum up any broken glass from inside the appliance before operation.

## 7.1 NEFL42/50/60/72/100HI-EU overview



Items may not appear exactly as illustrated.

Ref.	Description	Part Number					Stocked
		NEFL42HI-EU	NEFL50HI-EU	NEFL60HI-EU	NEFL72HI-EU	NEFL100HI-EU	
1	Synchronous Motor	W435-0105-SER					Yes
2	Blower & Heater Assembly	W010-4774-SER					Yes
3	Plastic Stripe	W497-1598-SER	W497-1599-SER	W497-1600-SER	W497-1604-SER	W497-1605-SER	Yes
4	Wall Mounting Bracket	W080-1616		W080-1621	W080-1616	W080-1621	Yes
5	LED Light	W405-0055 + W405-0056					Yes
6	Reflector Spindle	W527-0036-SER	W527-0037-SER	W527-0038-SER	W527-0039-SER	W527-0040-SER	Yes
7	Front Glass	W300-0304-SER	W300-0305-SER	W300-0306-SER	W300-0308-SER	W300-0309-SER	Yes
8	Remote Control	W190-0189-SER					Yes
9	Control Panel (with Remote Receiver)	W010-4541-SER					Yes
10	Acrylic Plastic Panel	W475-6136-SER	W475-6137-SER	W475-6138-SER	W475-6139-SER	W475-6140-SER	Yes
11	Circuit Board	W190-0190-SER			W190-0191-SER		Yes
12	Hardware Kit	W370-0185-SER			W370-0188-SER		Yes
13	Cord Cover	W200-0572					Yes
14	Crystal	W497-1601-SER	W497-1602-SER	W497-1603-SER	W497-1606-SER	W497-1607-SER	Yes
15	Thermostat	W690-0021					Yes
16*	UK Adapter	W005-0023-SER					
17*	Swiss Adapter	W005-0024-SER					

\* Parts not illustrated.

## **WARNING**

- Turn off the appliance completely and let cool before servicing. Only a qualified service person should service and repair this electric appliance.

symptom	problem	solution
Appliance will not come on when power button/switch is put into the "on" position.	Appliance is not plugged into an electrical outlet.	Check plug, and plug in the appliance if necessary.
	Hard wire connections are not correct.	See "hard-wiring installation" section.
	Appliance has overheated and safety thermal switch has tripped.	Unplug power or turn off the circuit breaker, allow appliance to cool for 15 minutes, then plug in the appliance or turn the breaker on.
	Main PCB board issue.	Inspect the circuit board and replace, if necessary.
Appliance turns off and will not turn on.	House circuit breaker has tripped.	Reset house circuit breaker.
	Appliance's fuse has blown.	Replace the fuse.
	Appliance has overheated and safety thermal switch has tripped.	Unplug power or turn off the circuit breaker, allow appliance to cool for 15 minutes to reset the thermal switch, then plug in the appliance or turn the breaker on.
Appliance has returned to default settings.	Power failure.	Re-program appliance to original settings (not applicable with all appliances).
Remote control does not work.	Low/dead batteries.	Replace batteries in remote control.
	Remote receiver malfunction.	Ensure remote receiver is not blocked. Replace control panel.
No warm air coming out of the appliance.	Heater setting not selected.	See "operation" section.
	Heater has been locked out.	See "operation" section.
	Room temperature is higher than appliance setting (if set to room temperature).	Reset temperature setting.
	Appliance has overheated and safety thermal switch has tripped.	Unplug power or turn off the circuit breaker. Allow for appliance to cool for 15 minutes.
	Hard wire connections are not correct.	See "hard-wiring installation" section.
	Heater issue.	Inspect the blower and heater and replace, if necessary.
Heater shuts off automatically.	Room is too warm.	The heater has a built-in thermostat so it will shut off automatically once the pre-set temperature is reached. It will also turn on automatically if the room temperature drops below the pre-set temperature.
Dim or no flame.	Flame brightness not selected.	See "operation" section.
	Flame LEDs issue.	Inspect the LED and replace, if necessary.
	Main PCB board issue.	Inspect the main PCB board and replace, if necessary.
Flame does not move.	Motor is stalled/malfunctioning.	Cycle on/off. If problem persists, consult dealer.

<b>symptom</b>	<b>problem</b>	<b>solution</b>
Ember bed is not glowing or dimming.	Brightness not selected.	See “operation” section.
	Ember LED issue.	Inspect the ember bed LEDs and replace, if necessary.
	Main PCB board issue.	Inspect the main PCB board and replace, if necessary.
LED flashing “OH”.	Appliance has overheated and safety thermal switch has tripped.	Unplug power or turn off the circuit breaker. Allow appliance to cool for 15 minutes, then plug in the appliance or turn the breaker on. If problem persists, consults your dealer.

**Napoleon** electric appliances are manufactured under the strict Standard of the world recognized ISO 9001 : 2015 Quality Management System.

**Napoleon** products are designed with superior components and materials and assembled by trained craftsmen who take great pride in their work. Once assembled, the complete appliance is thoroughly inspected by a qualified and authorized installer, service agency, or supplier before packing to ensure that you, the customer, receive the quality product that you expect from **Napoleon**.

### **Napoleon Electric Appliance Limited Warranty**

Electrical components and wearable parts are covered and **Napoleon** will provide replacement parts free of charge during the first 2 years of limited warranty. This covers: fan/heaters, motors, switches, nylon bearing components, remote controls, and LED lights.\*

Light bulbs and fuses are NOT covered by the warranty.

Any labour related to warranty repair is not covered.

\* Construction of models vary. Warranty applies only to components included with your specific appliance.

### **Conditions and Limitations**

**Napoleon** warrants its products against manufacturing defects to the original purchaser only. Registering your warranty is not necessary. Simply provide your proof of purchase along with the model and serial number to make a warranty claim. Provided that the purchase was made through an authorized **Napoleon** dealer, your appliance is subject to the following conditions and limitations:

Warranty coverage begins on the date of original installation.

This factory warranty is non-transferable and may not be extended whatsoever by any of our representatives.

Installation must be done in accordance with the installation instructions included with the product and all local and national building and fire codes.

This limited warranty does not cover damages caused by misuse, lack of maintenance, accident, alterations, abuse, or neglect and parts installed from other manufacturers will nullify this warranty.

This limited warranty further does not cover any scratches, dents, corrosion, or discolouring caused by excessive heat, abrasive and chemical cleaners, nor chipping on porcelain enamel parts, mechanical breakage of PHAZER™ logs.

In the first 2 years only, this warranty extends to the repair or replacement of warranted parts which are defective in material or workmanship, provided that the product has been operated in accordance with the operation instructions and under normal conditions.

**Napoleon** will not be responsible for installation, labour, or any other expenses related to the reinstallation of a warranted part, and such expenses are not covered by this warranty. Notwithstanding any provisions contained in the Limited Warranty, **Napoleon** responsibility under this warranty is defined as above, and it shall not in any event extend to any incidental, consequential, or indirect damages.

This warranty defines the obligations and liability of **Napoleon** with respect to the **Napoleon** electric appliance and any other warranties expressed or implied with respect to this product; its components or accessories are excluded.

**Napoleon** neither assumes, nor authorizes any third party to assume, on its behalf, any other liabilities with respect to the sale of this product.

Any damages to appliance, brass trim or other component due to water, weather damage, long periods of dampness, condensation, damaging chemicals, or cleaners will not be the responsibility of **Napoleon**.

**Napoleon** reserves the right to have its representative inspect any product or part thereof prior to honouring any warranty claim.

All parts replaced under the Limited Warranty Policy are subject to a single claim.

All parts replaced under the warranty will be covered for a period of 90 days from the date of their installation.

The manufacturer may require that defective parts or products be returned or that digital pictures be provided to support the claim. Returned products are to be shipped prepaid to the manufacturer for investigation. If a product is found to be defective, the manufacturer will repair or replace such defect.

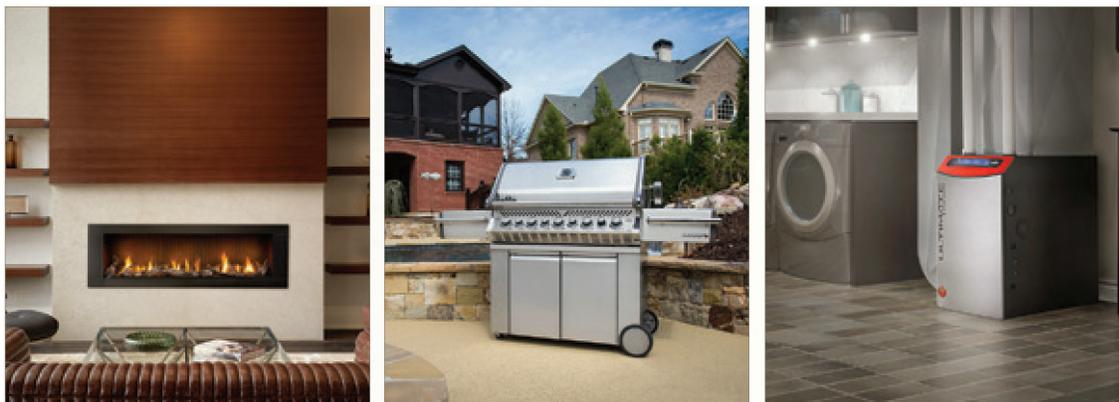
Before shipping your appliance or defective components, your dealer must obtain an authorization number. Any merchandise shipped without authorization will be refused and returned to sender.

Shipping costs are not covered under this warranty.

Additional service fees may apply if you are seeking warranty service from a dealer.

All specifications and designed are subject to change without prior notice due to on-going product improvements. **Napoleon** is a registered trademark of Wolf Steel Ltd.

# NAPOLEON CELEBRATING OVER 40 YEARS OF HOME COMFORT PRODUCTS



**WEEE:**



**Meaning of crossed-out wheeled dustbin:**

**Do not dispose of electrical appliances as unsorted municipal waste, use separate collection facilities. Contact your local government for information regarding the collection systems available. If electrical appliances are disposed of in landfills or dumps, hazardous substances can leak into the groundwater and get into the food chain, damaging your health and well-being.**

**When replacing old appliances with new ones, the retailer is legally obligated to take back your old appliance for disposals at least free of charge.**

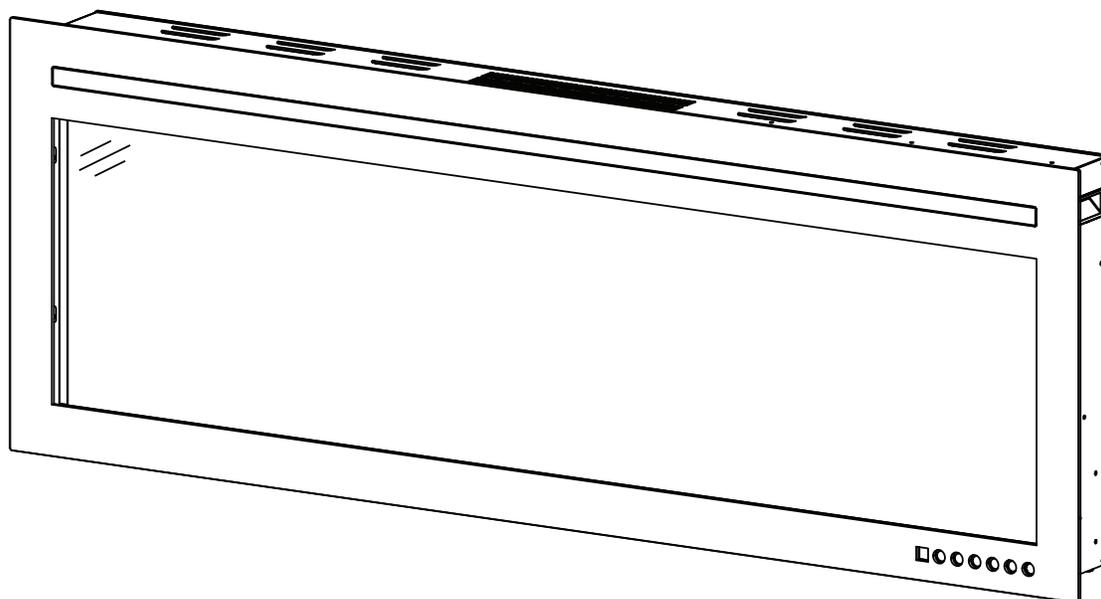


7200, Route Transcanadienne, Montréal, Québec H4T 1A3  
24 Napoleon Road, Barrie, Ontario, Canada L4M 0G8  
214 Bayview Drive, Barrie, Ontario, Canada L4N 4Y8  
103 Miller Drive, Crittenden, Kentucky, USA 41030  
De Riemsdijk 22, 4004 LC Tiel, The Netherlands  
napoleon.com



# MANUEL D'INSTALLATION ET D'UTILISATION

Série Pūrview 42 / 50 / 60 / 72 / 100  
(modèle NEFL60HI-EU illustré)



## CONSIGNES DE SÉCURITÉ

### ⚠ AVERTISSEMENT

#### RISQUE D'INCENDIE OU D'EXPLOSION

Si ces instructions ne sont pas suivies à la lettre, un incendie pourrait s'ensuivre causant des dommages matériels, des blessures corporelles ou des pertes de vie.

- N'entreposez pas et n'utilisez pas d'essence ou autres liquides et vapeurs inflammables à proximité de cet appareil ou tout autre appareil.

#### INSTALLATEUR:

Laissez ce manuel avec l'appareil

#### PROPRIÉTAIRE:

Conservez ce manuel pour consultation ultérieure.

**POUR L'UTILISATION INTÉRIEUR SEULEMENT**  
**IMPORTÉ PAR WOLF STEEL EUROPE (PAYS-BAS)**



Wolf Steel Europe BV  
De Riemsdijk 22, 4004 LC Tiel, Pays-Bas

## AVERTISSEMENT

- **Si équipé avec un chauffage, cet appareil peut être chaud lorsqu'il fonctionne et peut causer de graves brûlures en cas de contact.**
- Ne faites pas fonctionner l'appareil avant d'avoir lu et compris les instructions d'utilisation. L'incapacité de respecter les instructions pourrait causer un incendie ou des blessures corporelles.
- N'installez pas de composants endommagés ou incomplets, ni des composants de substitution.
- Ne brûlez pas de bois ou autres matériaux dans cet appareil.
- Tous les appareils électriques contiennent des composants internes qui deviennent chauds et qui produisent des étincelles. N'utilisez pas cet appareil dans des endroits où de l'essence, des peintures ou d'autres liquides inflammables sont présents.
- Les grillages de sécurités ou écrans enlevés pour faire l'entretien devront être remis en place avant d'utiliser l'appareil.
- Il est primordial de garder propres les compartiments de contrôle, les brûleurs, la soufflerie, les bouches d'air de l'appareil ainsi que le système d'évacuation. L'appareil et son système d'évacuation doivent être inspectés avant la première utilisation et au moins une fois l'an par un spécialiste en entretien. Un entretien plus fréquent pourrait être nécessaire en raison des peluches provenant des tapis, literie, etc. L'emplacement de l'appareil doit être gardé libre de tous matériaux combustibles, essence ou autres liquides et vapeurs inflammables.
- Cet appareil ne devra être modifié en aucun cas.
- N'utilisez pas cet appareil si une partie quelconque a été submergée. Contactez immédiatement un technicien de service qualifié pour inspecter l'appareil et pour remplacer toute pièce du système de contrôle qui aurait été submergée.
- Si équipé avec une porte vitrée, n'opérer pas l'appareil lorsque la porte vitrée est enlevée, fissurée ou brisée. Le remplacement de la vitre devra être effectué par un technicien de service certifié ou qualifié.
- Si équipé avec un porte vitrée, ne frappez pas et ne claquez pas la porte vitrée de l'appareil.
- Les matériaux d'emballage doivent être gardés hors de la portée des enfants et mis au rebut de façon sécuritaire. Comme tous les emballages de plastique, ceux-ci ne sont pas des jouets et doivent demeurer hors de la portée des enfants et des bébés.
- L'entretien ne doit être effectué que lorsque l'appareil est débranché du circuit électrique.
- Débranchez toujours l'appareil lorsqu'il n'est pas utilisé.
- N'utilisez pas l'appareil si le cordon d'alimentation ou la fiche sont endommagés, s'il ne fonctionne pas bien, ou s'il a été échappé ou endommagé d'une quelconque façon. Retournez l'appareil à un centre de service autorisé pour une inspection, des ajustements électriques ou mécaniques ou une réparation.
- N'utilisez pas cet appareil à l'extérieur.
- Lorsque vous installez cet appareil dans une pièce où l'eau est présente, l'installation doit se conformer aux codes reconnaissant le risque accru de décharge électrique et d'électrocution.

**note:**

Cet appareil NE PEUT PAS être installé dans une salle de bain.

- Ne passez pas le cordon d'alimentation sous un tapis. Ne recouvrez pas le cordon avec des carpettes, des tapis de couloir ou autres revêtements similaires. Évitez de placer le cordon dans un endroit passant ou à un endroit où il risque de causer des chutes.
- Branchez seulement dans une prise de courant adéquatement mise à la terre.
- N'insérez pas d'objets dans les ouvertures d'entrée d'air ou de sortie d'air puisque cela risque d'endommager l'appareil ou causer des chocs électriques ou un incendie.
- Il est normal que votre appareil électrique produise du bruit, surtout s'il est installé dans un endroit calme comme un chambre à coucher.

## AVERTISSEMENT

- Pour prévenir les risques d'incendie, ne bloquez pas les entrées d'air et les sorties d'air de quelque manière que ce soit. Ne placez pas cet appareil sur une surface molle telle qu'un tapis où les ouvertures pourraient se bloquer.
- Toujours brancher l'appareil directement dans une prise murale. N'utilisez pas de cordons d'alimentation ou une robinet d'alimentation relogeables (alimentation/multiprise).
- Cet appareil a été testé et homologué pour usage avec les accessoires optionnels listés dans ce manuel uniquement. L'utilisation d'accessoires optionnels qui n'ont pas été spécifiquement testés pour cet appareil électrique annulera la garantie de l'appareil et/ou présentera des risques pour la sécurité.

### **Pour les appareil équipé avec chauffage:**

- Risque de brûlures. L'appareil doit être éteint et refroidi avant d'effectuer l'entretien. Pour débrancher l'appareil, mettez d'abord les boutons de contrôle à « OFF » puis retirez la fiche de la prise de courant.
- Les jeunes enfants doivent être supervisés attentivement lorsqu'ils sont dans la même pièce que l'appareil recommandés s'il y a dans la maison des individus à risque. Les jeunes enfants et autres personnes sont sujets aux brûlures accidentelles. Une barrière de protection est recommandée s'il y a dans la maison des individus à risque. Afin de restreindre l'accès à l'appareil, installez une barrière de protection ajustable pour garder les jeunes enfants ou autres personnes à risque hors de la pièce et loin des surfaces chaudes.
- Les vêtements et autres matériaux combustibles ne doivent pas être posés sur l'appareil ou à proximité.
- En raison des températures élevées, l'appareil devrait être placé loin des endroits passants et loin des meubles et des rideaux.
- Assurez-vous de disposer de mesures de sécurité adéquates pour empêcher les jeunes enfants de toucher aux surfaces chaudes.
- Même lorsque l'appareil est éteint, la porte et l'écran demeureront chauds pendant un bon moment.
- Consultez votre détaillant local de foyer pour connaître les grillages de sécurité et les écrans offerts pour protéger les enfants des surfaces chaudes. Ces grillages de sécurité et ces écrans doivent être fixés au plancher.
- Assurez-vous de respecter les dégagements aux matériaux combustibles lorsque vous installez un manteau ou des tablettes au-dessus de l'appareil. Les téléviseurs et autres composants électroniques soumis à des températures élevées peuvent fondre, se déformer, se décolorer et entraîner des défaillances prématurées de ces appareils.
- L'élément chauffant ne doit pas être installé à proximité d'une prise de courant.
- **À condition d'avoir été guidés ou informés des instructions concernant l'utilisation de l'appareil en toute sécurité, ainsi que des risques encourus, les enfants âgés de plus de 8 ans, les personnes souffrant d'un handicap physique, sensoriel ou mental et les personnes inexpérimentées ou manquant de connaissances dans ce domaine peuvent utiliser cet appareil. Cet appareil n'est pas un jouet. L'entretien et la maintenance ne doivent pas être effectués par des enfants sans supervision.**

** AVERTISSEMENT:** Ce produit peut vous exposer à des substances chimiques incluant le plomb et les composés de plomb qui, selon l'État de Californie, causeraient le cancer, et des substances chimiques incluant le BBP et DEHP qui, selon d'État de Californie, causeraient des malformations congénitales ou autres dangers pour la reproduction. Pour de plus amples renseignements, visitez le [www.P65Warnings.ca.gov](http://www.P65Warnings.ca.gov).

# table de matières

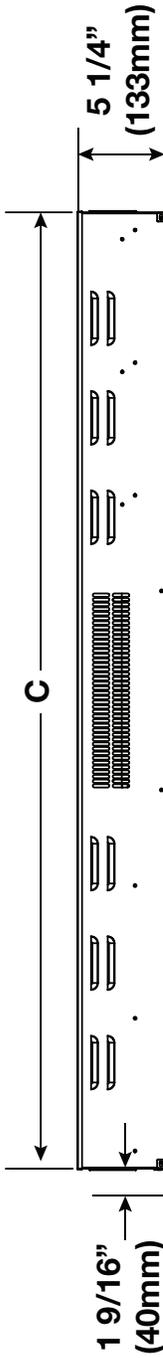
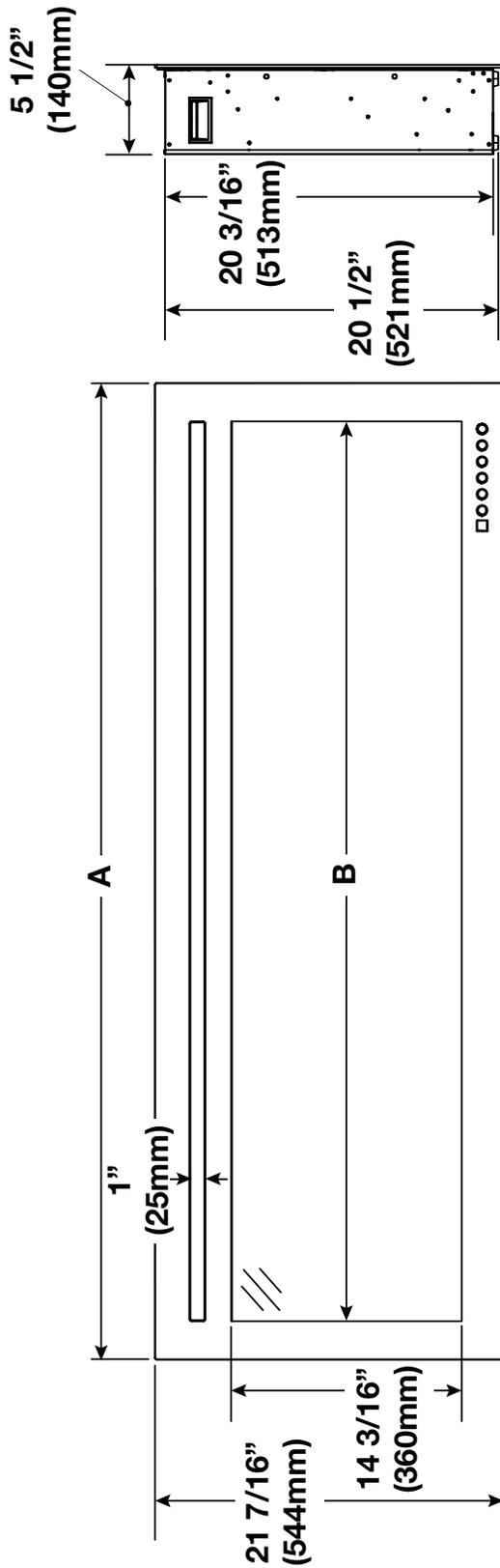
FR

<b>1.0</b>	<b>informations générales</b>	<b>5</b>
1.1	dimensions (NEFL42/50/60HI-EU)	5
1.2	dimensions (NEFL72/100HI-EU)	6
1.3	informations de la plaque signalétique	7
1.4	emplacement des étiquettes	7
1.5	fiche technique et homologation	8
1.6	instructions générales	8
1.7	déballage et test de l'appareil	9
1.8	liste du matériel	9
<b>2.0</b>	<b>emplacement de l'appareil</b>	<b>10</b>
<b>3.0</b>	<b>installation</b>	<b>11</b>
3.1	espace minimum requis pour les matériaux combustibles	11
3.2	cadre	12
3.3	installation de la fixation murale	13
3.4	préparation de l'installation encastrée	15
3.4.1	installation entièrement encastrée	15
3.4.2	installation partiellement encastrée	16
<b>4.0</b>	<b>caractéristiques électriques</b>	<b>17</b>
4.1	installation du raccordement câblé	17
4.2	schéma de câblage (NEFL42HI-EU)	18
4.3	schéma de câblage (NEFL50/60HI-EU)	19
4.4	schéma de câblage (NEFL72HI-EU)	20
4.5	schéma de câblage (NEFL100HI-EU)	21
<b>5.0</b>	<b> finition</b>	<b>22</b>
5.1	retrait / installation de la vitre	22
5.2	installation des braises en cristal	22
<b>6.0</b>	<b> mode d'emploi</b>	<b>23</b>
6.1	utilisation du panneau de commande tactile	23
6.2	utilisation de la télécommande	25
6.3	réglages du programmeur sur la télécommande	26
6.3.1	réglage de la date et l'heure	26
6.3.2	réglage des temps d'allumage et de la température par cycle hebdomadaire	26
6.3.3	détection de fenêtre ouverte	26
<b>7.0</b>	<b> pièces de rechange</b>	<b>27</b>
7.1	vue d'ensemble des pièces pour les modèles NEFL42/50/60/72/100HI-EU	28
<b>8.0</b>	<b> dépannage</b>	<b>29</b>
<b>9.0</b>	<b> garantie</b>	<b>31</b>

## Remarque :

Les informations contenues dans ce manuel sont considérées comme étant correctes au moment de l'impression. Wolf Steel Ltd se réserve le droit de changer ou de modifier toute information présente dans ce manuel, à tout moment et sans préavis. Toute modification, autre qu'éditoriale, est signalée par une ligne verticale dans la marge.

## 1.1 dimensions (NEFL42/50/60HI-EU)



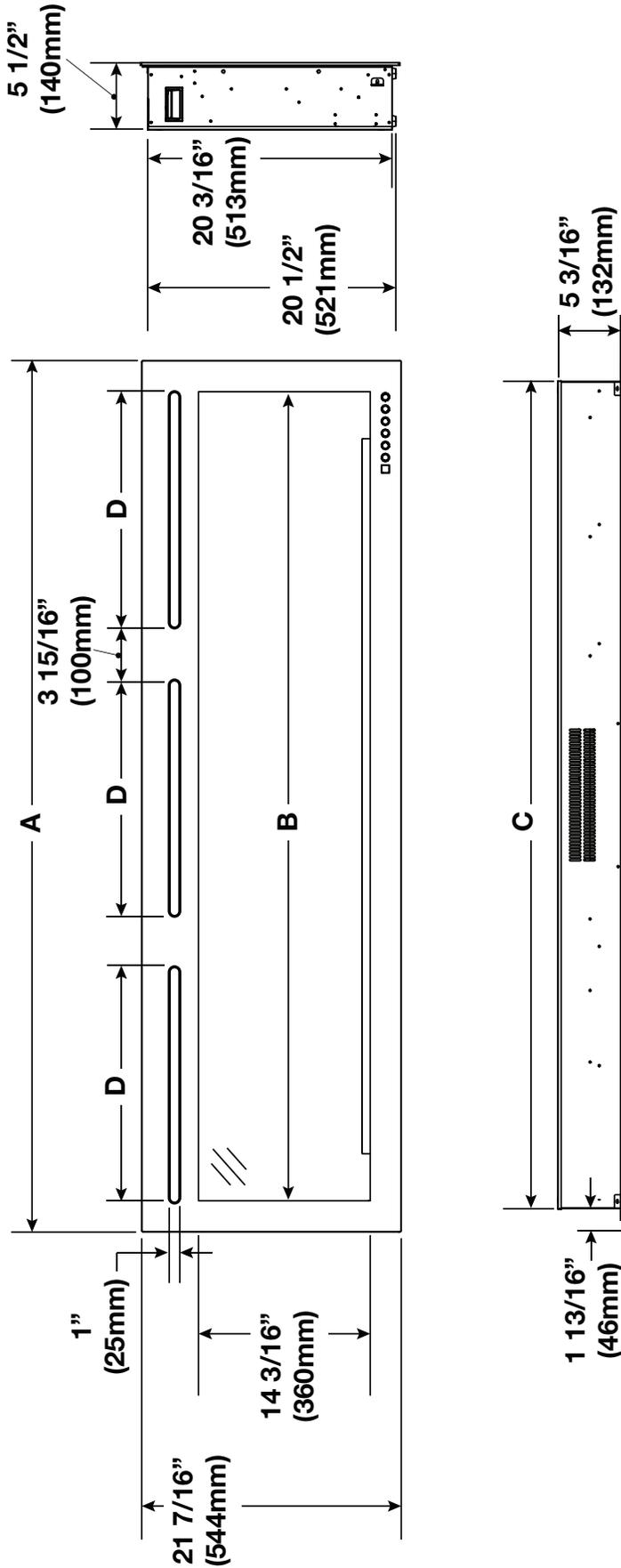
## 1.0 informations générales

	A	B	C
NEFL42HI-EU	42" (1067mm)	37 5/16" (948mm)	38 15/16" (989mm)
NEFL50HI-EU	50" (1270mm)	45 5/16" (1151mm)	46 15/16" (1192mm)
NEFL60HI-EU	60" (1524mm)	55 5/16" (1405mm)	56 15/16" (1446mm)

# informations générales

FR

## 1.2 dimensions (NEFL72/100HI-EU)



	A	B	C	D
<b>NEFL72HI-EU</b>	72" (1829mm)	66 7/8" (1697mm)	68 7/16" (1738mm)	19 5/8" (499mm)
<b>NEFL100HI-EU</b>	100" (2540mm)	94 15/16" (2411mm)	96 7/16" (2450mm)	29" (736mm)

## 1.3 informations de la plaque signalétique

L'illustration ci-dessous n'est donnée qu'à titre de référence. Pour des informations précises concernant l'appareil, consulter la plaque signalétique.

CHEMINÉE ÉLECTRIQUE. CONVIENT POUR L'INSTALLATION DE LA CHAMBRE À COUCHER ET DU SALON. ADAPTÉ POUR UNE INSTALLATION EN MAISON MOBILE.

TENSION: 220-240 VAC  
FRÉQUENCE: 50 Hz  
PUISSANCE: 1400-1600W  
CODE DE DATE: XXXXX

**MODÈLES**

NEFL42HI-EU     NEFL50HI-EU     NEFL60HI-EU     NEFL72HI-EU     NEFL100HI-EU

Fabricant: Wolf Steel Ltd.  
24, chemin Napoléon,  
Barrie, ON, L4M 0G8 Canada

Importateur: Wolf Steel Europe BV  
De Riemsdijk 22, 4004 LC Tiel,  
Les Pays-Bas

CONÇU EN AMÉRIQUE DU NORD  
PAR WOLF STEEL LTD.  
FABRIQUÉ EN CHINE

NUMÉRO DE SÉRIE: NEFLXX W385-4537 / A

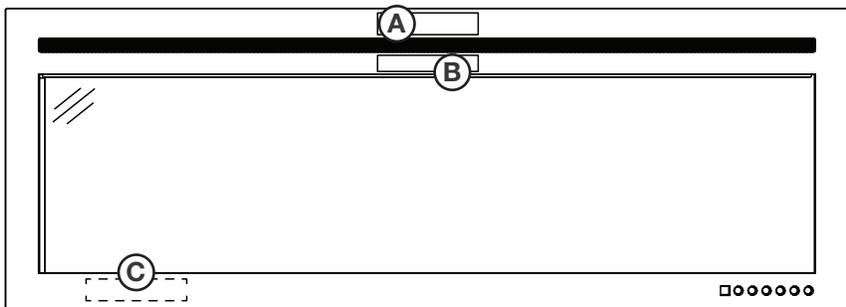
**Remarque :**

La plaque signalétique doit toujours rester à proximité de l'appareil. Elle ne doit pas être retirée.

## 1.4 emplacement des étiquettes

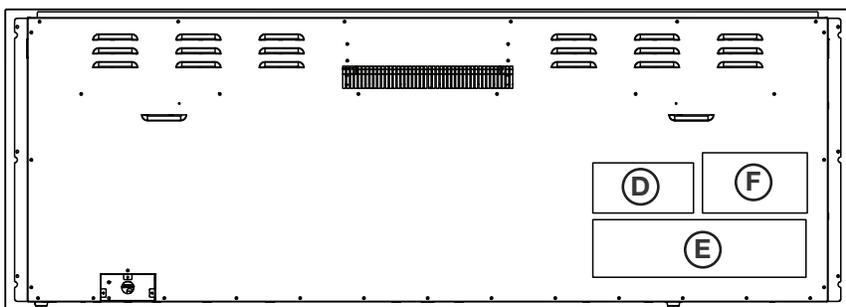
**Remarque :**

À titre d'exemple seulement. Les emplacements des étiquettes peuvent varier.



Vue de Face

NEFL60HI-EU illustré



Vue d'Arrière

NEFL60HI-EU illustré

Réf.	Numéro de la pièce	Description de l'étiquette
A	W385-2210	« Ne pas couvrir »
B	W385-2017	« Surface chaude »
C	-	Numéro de série *
D	W385-2167	Attention
E	W385-2163	Avertissement
F	W385-2389	Plaque signalétique (NEFL42/50/60/72/100HI-EU)

\* Situé derrière la vitre, sur la surface métallique.

# informations générales

FR

## 1.5 fiche technique et homologation

Cet appareil a été testé selon les normes GS européennes pour appareils de chauffage électriques installés de façon permanente. En cas d'aide requise pendant l'installation, contacter votre détaillant local.

Modèle	NEFL42HI-EU	NEFL50HI-EU	NEFL60HI-EU	NEFL72HI-EU	NEFL100HI-EU
Description	Appareil électrique				
Type	3 options d'installation de l'appareil : fixé au mur, encastré ou encadré d'un manteau				
Tension	220-240 V CA				
Watts	1 600 W MAX.				
Ampères	Circuit mis à la terre dédié de 15 A				
Largeur de l'appareil	1 067 mm	1 270 mm	1 524 mm	1 828 mm	2 540 mm
Hauteur de l'appareil	544 mm				
Profondeur de l'appareil	140 mm				
Poids net	19 kg	24 kg	27,4 kg	38 kg	55 kg
Poids brut	24 kg	28 kg	36,7 kg	43 kg	61 kg

## 1.6 instructions générales

### AVERTISSEMENT

- Lire l'intégralité de ces instructions avant de commencer l'installation. Toute utilisation non conforme pourrait provoquer un dysfonctionnement de l'appareil entraînant des blessures graves et/ou des dommages matériels majeurs.
- Tous les appareils électriques contiennent des pièces qui peuvent chauffer ou produire des arcs électriques ou des étincelles. Ne pas utiliser à proximité de carburant, de peinture ou de liquides inflammables.
- Cet appareil a été testé et homologué pour une utilisation uniquement avec les accessoires mentionnés dans ce manuel. L'utilisation d'accessoires facultatifs non testés spécifiquement pour cet appareil électrique pourrait annuler la garantie ou créer des risques en matière de sécurité.
- Ne pas ouvrir. Risque de décharge électrique. Ne contient aucune pièce réparable par l'utilisateur.
- Ne pas utiliser de câbles électriques endommagés.
- L'entretien ne doit être effectué qu'une fois l'appareil débranché du secteur.
- Afin d'éviter tout risque d'électrocution, la fiche doit être entièrement insérée dans la prise.

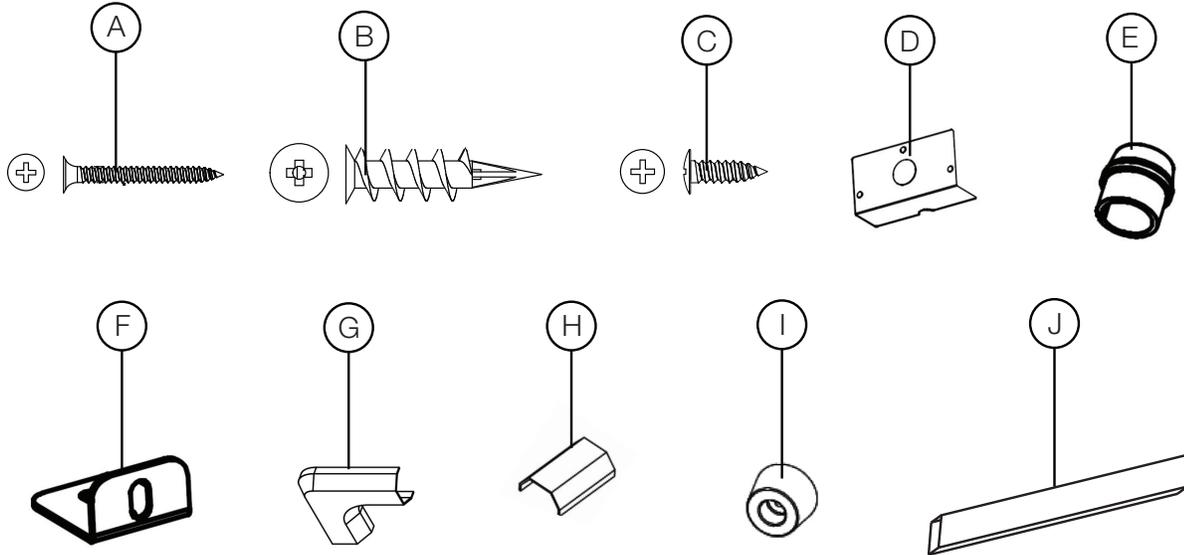
- Avant de brancher votre appareil dans une prise de courant, vérifiez si le disjoncteur de la maison pour ce circuit est allumé.
- Il est possible que l'appareil dégage une légère odeur inoffensive lors de la première utilisation. Cela est une condition normale causée par le chauffage initial des éléments de l'appareil. Elle ne se reproduira plus.
- Si votre appareil n'émet pas de chaleur lorsqu'il est sollicité, consultez la section « fonctionnement » de ce manuel pour de plus amples renseignements.
- Ne faites pas passer le cordon d'alimentation directement sous l'appareil.

**Comme pour la plupart des dispositifs électroniques, cet appareil électrique a été conçu pour fonctionner entre 5 °C et 35 °C. Durant les mois d'hiver généralement plus froids, laisser l'appareil atteindre la température ambiante avant de l'allumer.**

## 1.7 déballage et test de l'appareil

Retirer délicatement l'appareil de la boîte, ainsi que les supports de fixation murale. Avant d'installer l'appareil, retirer tous les matériaux d'emballage et vérifier le bon fonctionnement de l'appareil en branchant le câble d'alimentation dans une prise de terre prévue à cet effet de 220-240 V, 10 A minimum.

## 1.8 liste du matériel



Réf.	Description	Quantité				
		NEFL42HI-EU	NEFL50HI-EU	NEFL60HI-EU	NEFL72HI-EU	NEFL100HI-EU
A	Vis à bois		6			12
B	Chevilles pour placoplâtre		6			12
C	Vis à métal			8		
D	Plaque de recouvrement			1		
E	Serre-câble			1		
F	Support métallique			4		
G	Angle de goutlotte			2		
H	Angle de goutlotte			2		
I	Pied en caoutchouc		4			6
J	Longue goutlotte			2		

## 2.0 emplacement de l'appareil

FR

### AVERTISSEMENT

- En raison des températures élevées qu'il produit, cet appareil électrique ne doit pas être placé dans une zone de passages fréquents. Maintenir toute matière combustible, tels que des meubles, des coussins, des draps, du papier, des habits, des rideaux et autres objets similaires à au moins 91,4 cm de l'avant de l'appareil.
- Ne jamais placer cet appareil électrique dans une position où il pourrait tomber dans une baignoire ou un autre récipient d'eau.
- Porter des gants et des lunettes de protection pendant l'installation et la maintenance.
- Afin d'éviter tout contact avec un affaissement ou une partie détachée de l'isolant, l'appareil électrique ne doit pas être installé contre un pare-vapeur ou un isolant exposé. Une surchauffe localisée pourrait se produire, risquant d'entraîner un incendie.
- L'appareil électrique ne doit pas être exposé aux éléments (pluie, etc.).

## ! AVERTISSEMENT

- Risque d'incendie! Le cordon d'alimentation ne doit pas être coincé contre une arrête vive. Fixez le cordon pour éviter les chutes ou les accrochages afin de réduire le risque d'incendie, de choc électrique ou de blessures corporelles. Ne passez pas le cordon d'alimentation sous un tapis. Ne recouvrez pas le cordon avec des carpettes, des tapis de couloir ou autres revêtements similaires. Évitez de placer le cordon dans un endroit passant ou à un endroit où il risque de causer des chutes.
- Risque d'incendie! Pour prévenir les risques d'incendie, ne bloquez pas les entrées d'air et les sorties d'air de quelque manière que ce soit. Ne placez pas cet appareil sur une surface molle où les ouvertures pourraient se bloquer.
- Risque d'incendie! Ne soufflez pas ou ne placez pas d'isolant contre l'appareil.
- Cet appareil électrique a été testé et homologué pour usage avec les accessoires optionnels listés dans ce manuel uniquement. L'utilisation d'accessoires optionnels qui n'ont pas été spécifiquement testés pour cet appareil électrique annulera la garantie de l'appareil et/ou présentera des risques pour la sécurité.
- Si ces instructions ne sont pas suivies à la lettre, un incendie ou une explosion pourraient s'ensuire, causant des dommages matériels, des blessures corporelles ou des pertes de vie. N'entreposez pas et n'utilisez pas d'essence ou autres vapeurs inflammables à proximité de cet appareil ou tout autre appareil.
- Étant donné la lourdeur de cet appareil, il est recommandé que deux personnes en fassent l'installation.
- Si votre appareil est équipé avec chauffage, assurez-vous que les ouvertures de la chauffage ne peut pas, dans aucune façon, être recouverts car il peut provoquer un incendie.
- N'exécutez pas le cordon d'alimentation horizontalement, directement en dessous de l'appareil.

Ce modèle NEFL42/50/60/72/100HI-EU peut être fixé au mur, encastré et/ou encadré d'un manteau. Choisir un emplacement adapté, à l'abri de l'humidité, sans passages fréquents et sans meubles et tissus à proximité.

### Remarque :

Suivre toutes les réglementations électriques locales et nationales.

## 3.1 espace minimum requis pour les matériaux combustibles

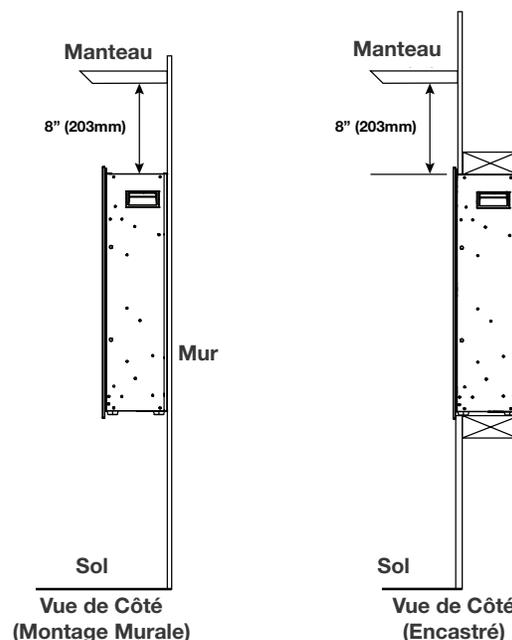
### ! AVERTISSEMENT

- En cas d'utilisation de peinture ou de laque pour les finitions du manteau, s'assurer que ces produits sont résistants à la chaleur afin d'éviter une décoloration.

### Remarque :

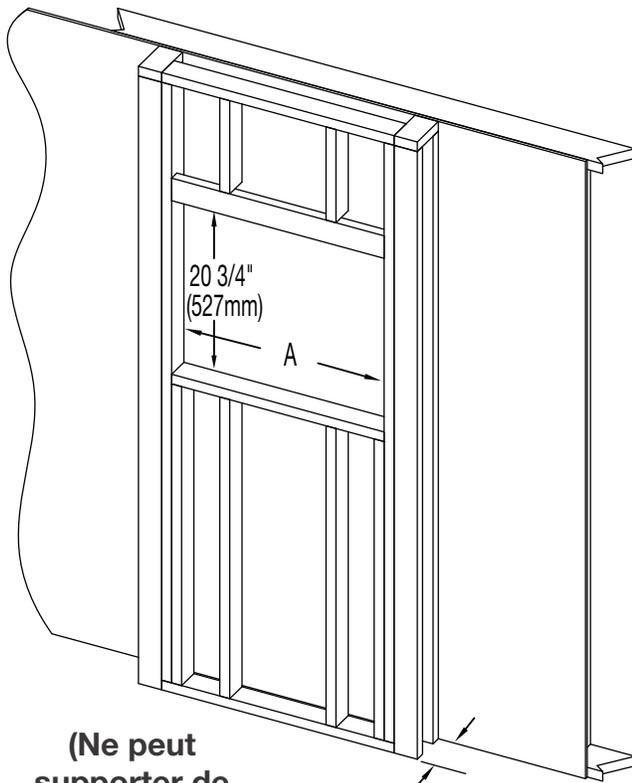
Le bouton de mise en marche est situé sur le côté supérieur gauche de l'appareil. Ce bouton doit toujours rester accessible.

Ces mesures sont prises à partir de la vitre	
Bas	0 mm
Côtés	
Arrière	
Haut	203 mm du plafond
	203 mm du manteau de cheminée



# installation

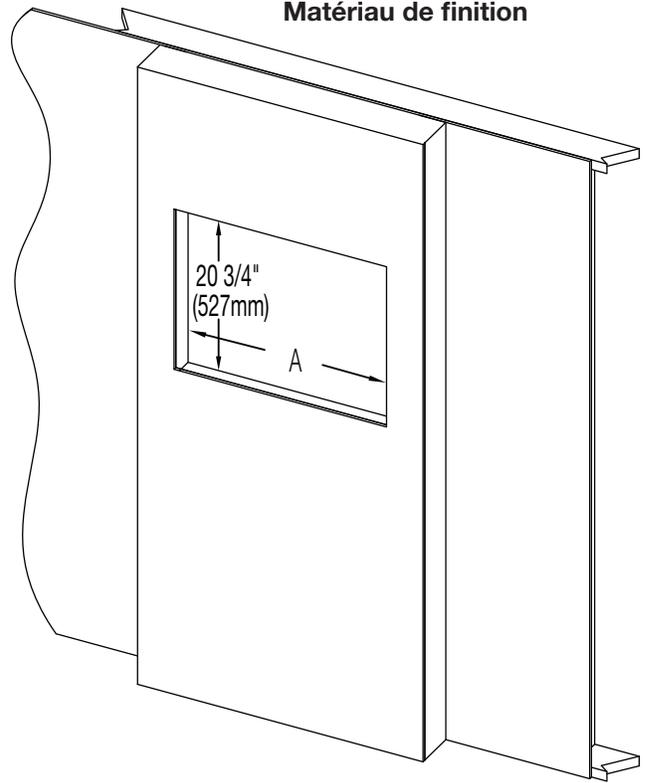
## FR 3.2 cadre



(Ne peut supporter de charge)

$3\frac{1}{2}''$  (89mm) MIN  
-  
5'' (127mm) MAX

### Matériau de finition

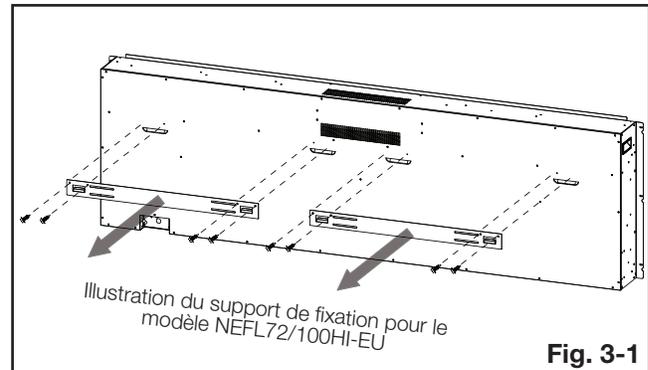
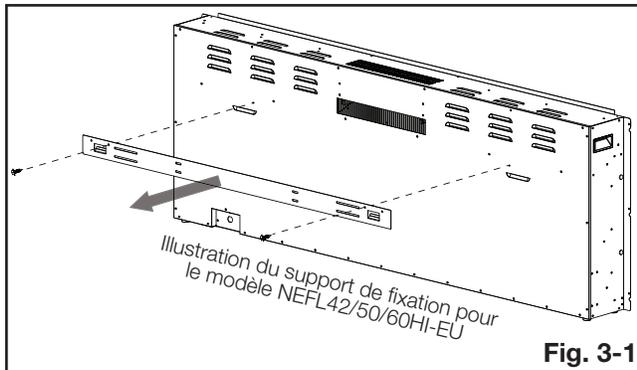


N° DE MODÈLE	A
NEFL42HI-EU	1 002 mm
NEFL50HI-EU	1 205 mm
NEFL60HI-EU	1 459 mm
NEFL72HI-EU	1 752 mm
NEFL100HI-EU	2 463 mm

## 3.3 installation de la fixation murale

En raison de la variété de matériaux pouvant être utilisés sur les murs, il est fortement recommandé de consulter votre détaillant local avant d'installer cet appareil au mur.

- A. Choisir un endroit sec et à l'abri de l'humidité, situé à une distance d'au moins 91,4 cm de tout matériau combustible, tels que des rideaux, des meubles, des tissus, du papier, etc.
- B. Retirer la vitre (voir la section « retrait / installation de la vitre »).
- C. Il est recommandé que deux personnes tiennent l'appareil contre le mur pour déterminer l'emplacement final.
- D. Placer l'appareil face vers le bas sur une surface souple et non abrasive. Enlever le support de fixation à l'arrière de l'appareil en retirant les vis (**Fig. 3-1**). Mettre le support de fixation et les vis de côté.

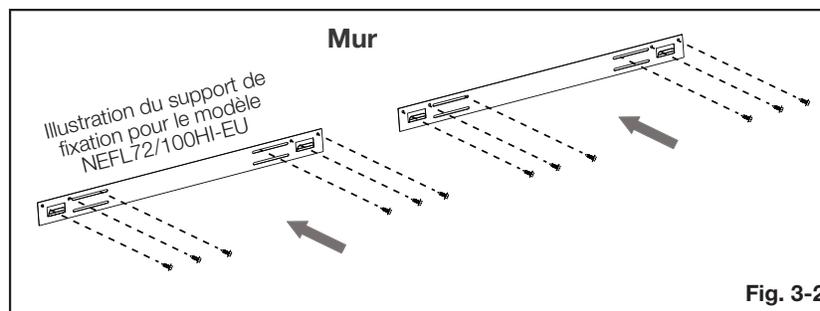
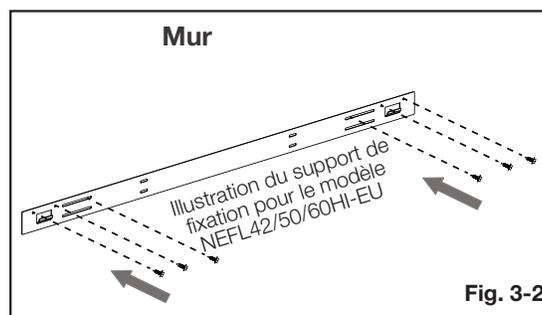


- E. Marquer l'emplacement, puis fixer le support de fixation au mur à l'aide de vis (fournies). Ce support doit impérativement être placé de façon à ce que les crochets soient orientés vers le haut et à niveau (**Fig. 3-2**).

⊕		<b>A x 6 pour NEFL42/50/60HI-EU</b>	<b>A x 12 pour NEFL72/100HI-EU</b>
⊕		<b>B x 6 pour NEFL42/50/60HI-EU</b>	<b>B x 12 pour NEFL72/100HI-EU</b>

### Remarque :

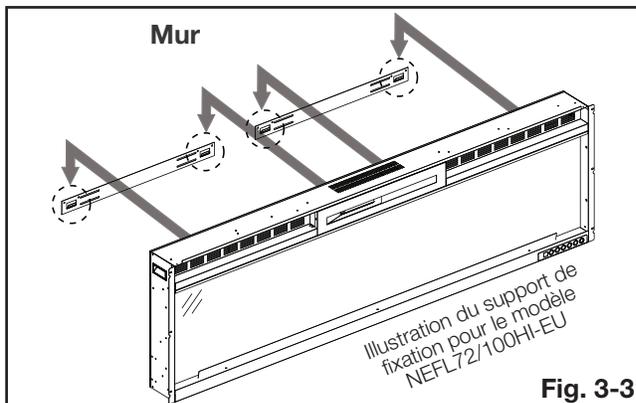
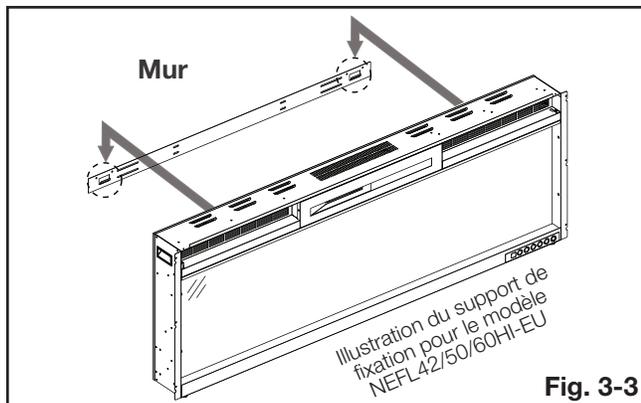
Il est fortement recommandé de visser le support de fixation aux montants de la cloison lorsque cela est possible. Si les montants du mur ne peuvent pas être utilisés, il est nécessaire d'utiliser les chevilles en plastique fournies pour fixer le support au mur, puis de s'assurer que celui-ci est solidement fixé.



# installation

FR

- F. Une fois que le support de fixation murale est installé, soulever l'appareil avec l'aide d'une autre personne et insérer les crochets du support dans les fentes de montage à l'arrière de l'appareil (**Fig. 3-3**).



- G. Vérifier que l'appareil est fermement installé et que le support ne risque pas de s'arracher du mur.
- H. Installer le foyer (consulter la section « installation des braises de cristal »). **Cette étape doit être effectuée avant de pouvoir passer à l'étape suivante.**
- I. Replacer la vitre.

## 3.4 préparation de l'installation encastrée

En raison de la variété de matériaux pouvant être utilisés sur les murs, il est fortement recommandé de consulter votre détaillant local avant d'installer cet appareil au mur.

### Remarque :

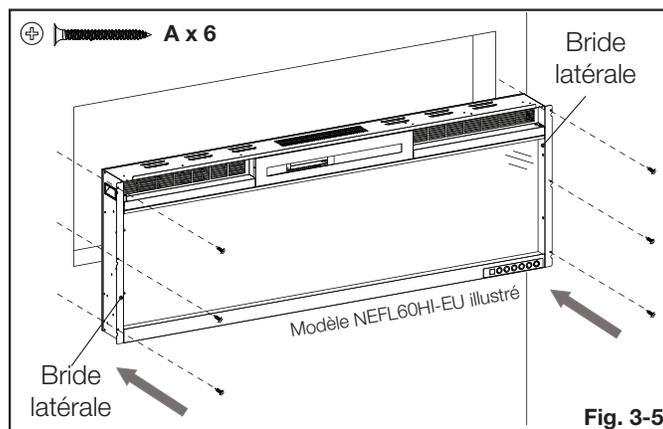
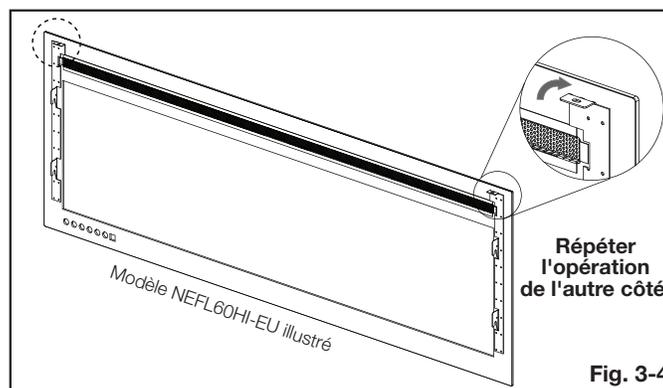
Il est recommandé que les cloisons de l'espace où est encastré l'appareil soient achevées et couvertes (placoplâtre) afin d'éviter que l'isolant ou le pare-vapeur n'entre en contact avec l'appareil. L'espace minimum requis pour les matériaux combustibles est ainsi respecté.

Les languettes de l'appareil viennent en équerre. Aplatir les languettes à la main afin d'encastrer complètement l'appareil dans le mur (voir la section « installation entièrement encastrée »).

- A. Choisir un endroit sec et à l'abri de l'humidité, situé à une distance d'au moins 91,4 cm de tout matériau combustible, tels que des rideaux, des meubles, des tissus, du papier, etc.
- B. Mesurer l'appareil et installer un cadre sommaire avec les câbles électriques (voir la section « cadre »).
- C. Retirer la vitre (voir la section « retrait / installation de la vitre »).
- D. Soulever l'appareil pour s'assurer qu'il est parfaitement ajusté au cadre.

### 3.4.1 installation entièrement encastrée

- A. Déplier les deux languettes supérieures vers le haut pour qu'elles soient à plat sur la vitre (**Fig. 3-4**). Mettre la vitre de côté.
- B. Retirer le câble d'alimentation et compléter l'installation du raccordement câblé (voir la section « installation du raccordement câblé »).
- C. Insérer l'appareil dans le cadre sommaire installé au préalable et le fixer avec 6 vis (fournies) dans les brides latérales (**Fig. 3-5**).
- D. Installer le foyer (consulter la section « installation des braises de cristal »). **Cette étape doit être effectuée avant de pouvoir passer à l'étape suivante.**
- E. Replacer la vitre.



# installation

FR

## 3.4.2 installation partiellement encastrée

- A. Installer les deux supports métalliques (un de chaque côté) (fournis) sur les côtés supérieurs de l'appareil (Fig. 3-6).

### Remarque :

L'appareil comprend 2 vis pré-installées aux emplacements des supports de fixation. Retirer ces vis et les utiliser ensuite pour fixer les supports métalliques sur l'appareil. Enfin, visser les supports sur le mur.

L'appareil comprend 2 supports métalliques pré-installés. Ces supports de fixation peuvent être utilisés pendant l'installation ou remplacés par les 4 supports neufs du kit de fixation.

- B. Retirer le câble d'alimentation et compléter l'installation du raccordement câblé (voir la section « installation du raccordement câblé »).
- C. Insérer l'appareil dans le cadre sommaire installé au préalable et le fixer avec deux vis (fournies) dans les supports métalliques (Fig. 3-7).
- D. Installer le foyer (consulter la section « installation des braises de cristal »). **Cette étape doit être effectuée avant de pouvoir passer à l'étape suivante.**
- E. Replacer la vitre.

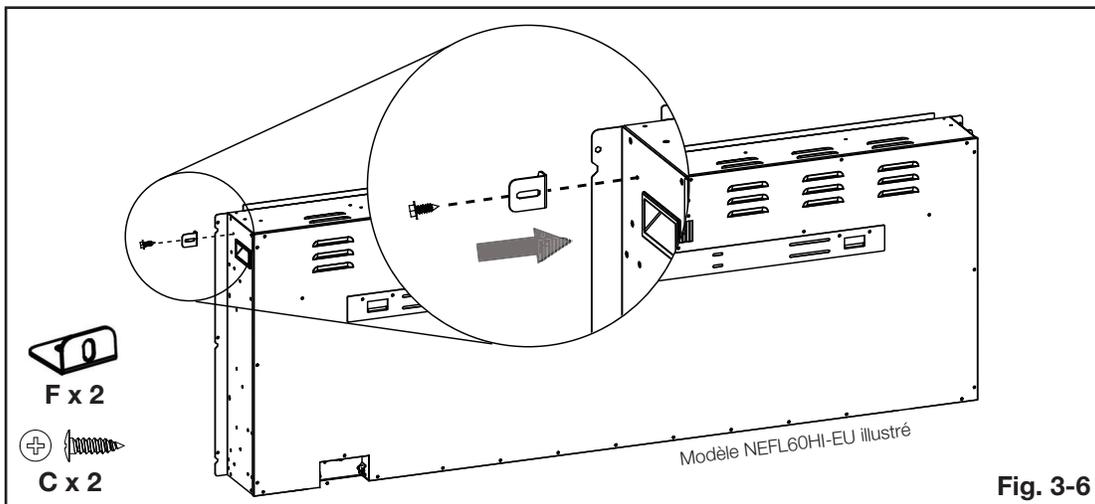


Fig. 3-6

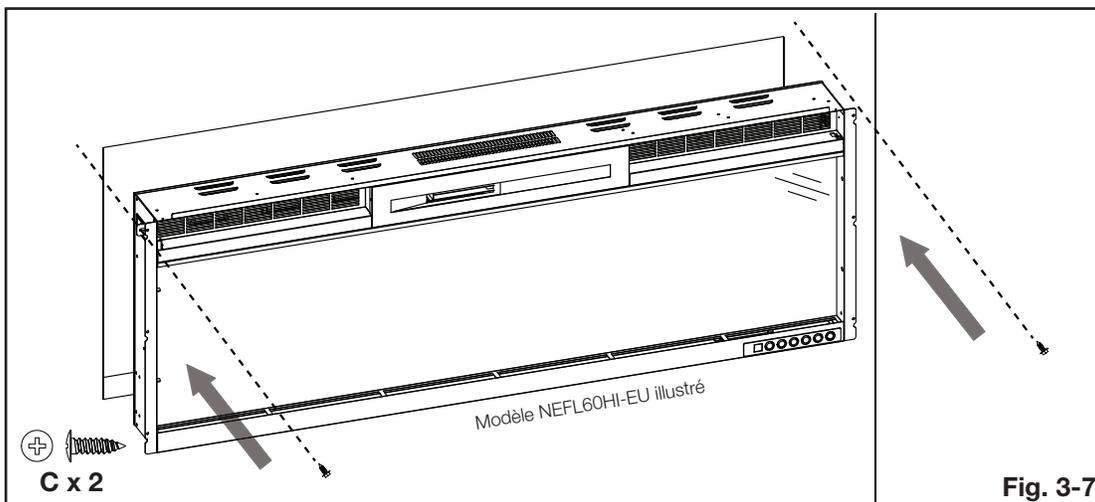


Fig. 3-7

### 4.1 installation du raccordement câblé

#### ⚠ AVERTISSEMENT

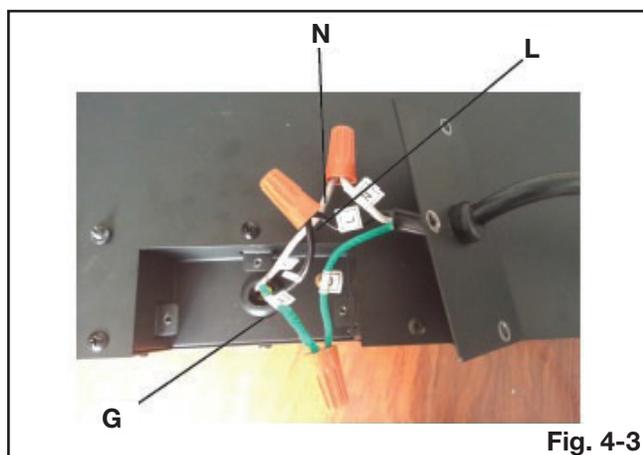
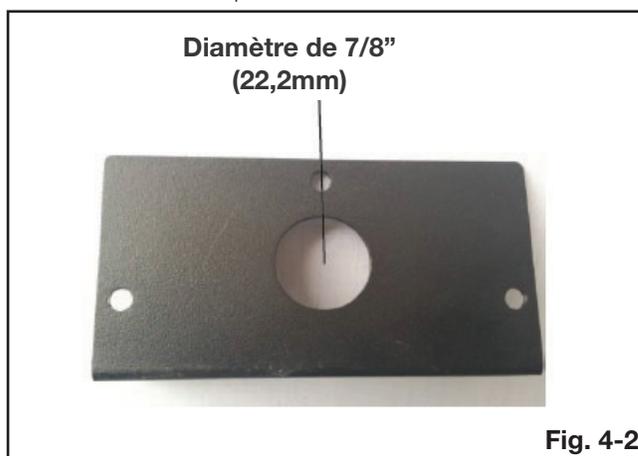
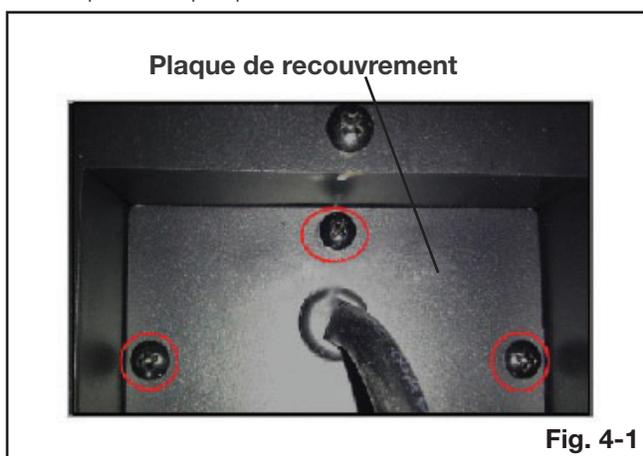
- Avant tout entretien, éteindre l'appareil et attendre qu'il refroidisse. L'entretien et la réparation de cet appareil électrique ne doivent être effectués que par un professionnel.

#### Installation du raccordement câblé

S'il est nécessaire d'installer cet appareil avec un raccordement câblé, un électricien qualifié doit retirer le cordon d'alimentation et raccorder l'appareil directement au circuit électrique domestique.

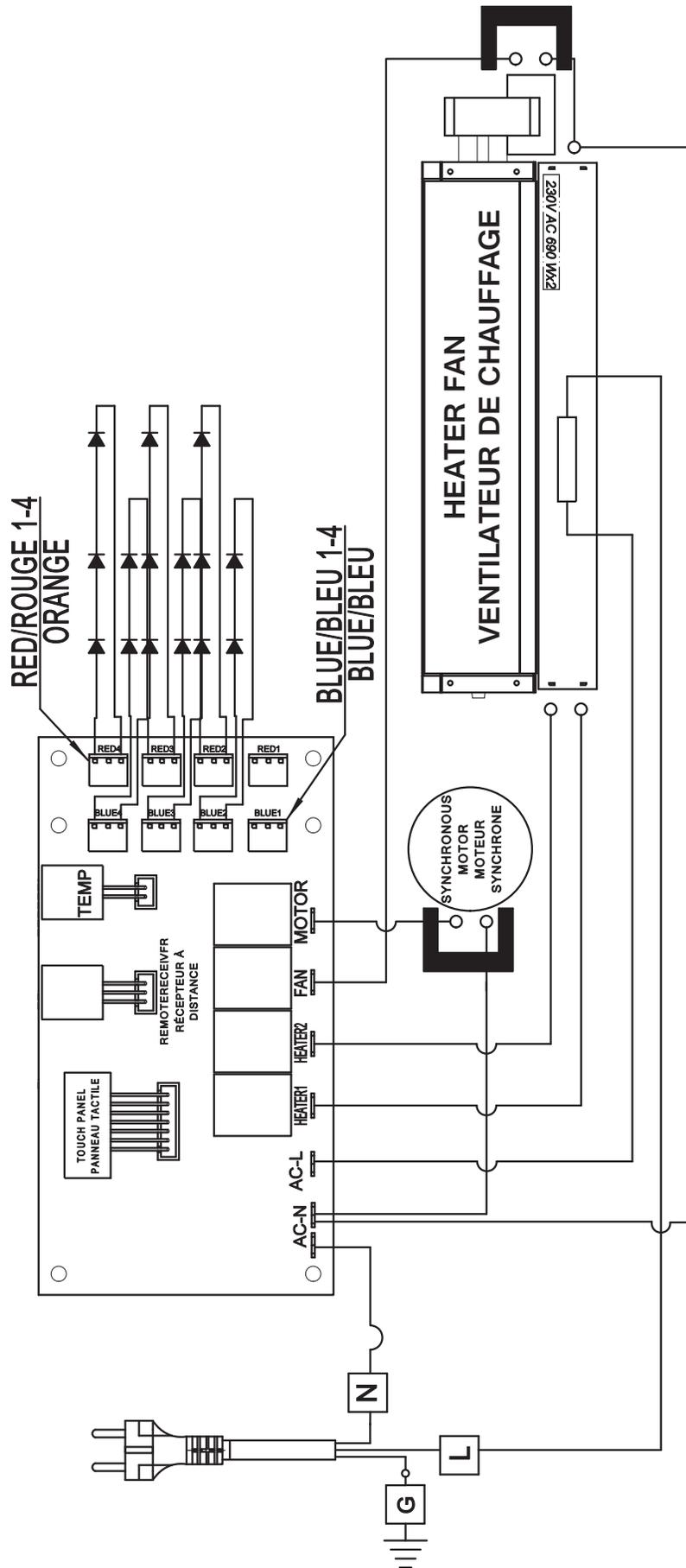
L'appareil doit être raccordé au circuit électrique et mis à la terre conformément aux réglementations locales.

1. Enlever la plaque de recouvrement située en bas à droite de l'appareil en dévissant les 3 vis (**Fig. 4-1**).
2. Retirer les serre-fils du cordon d'alimentation. Le cordon d'alimentation n'est plus nécessaire.
3. Perforer le trou de 22,2 mm dans la plaque de recouvrement neuve (fournie) (**Fig. 4-2**) et installer un connecteur de boîte à travers la boîte de dérivation. Refermer la pince du connecteur de boîte autour des fils électriques.
4. À l'aide des serre-fils fournis dans le kit, brancher les fils verts de terre (G), les fils blancs neutres (N) ensemble et les fils noirs chargés (L) (**Fig. 4-3 et 4-4**).
5. Replacer la plaque de recouvrement à l'aide des 3 vis retirées durant l'étape 1.

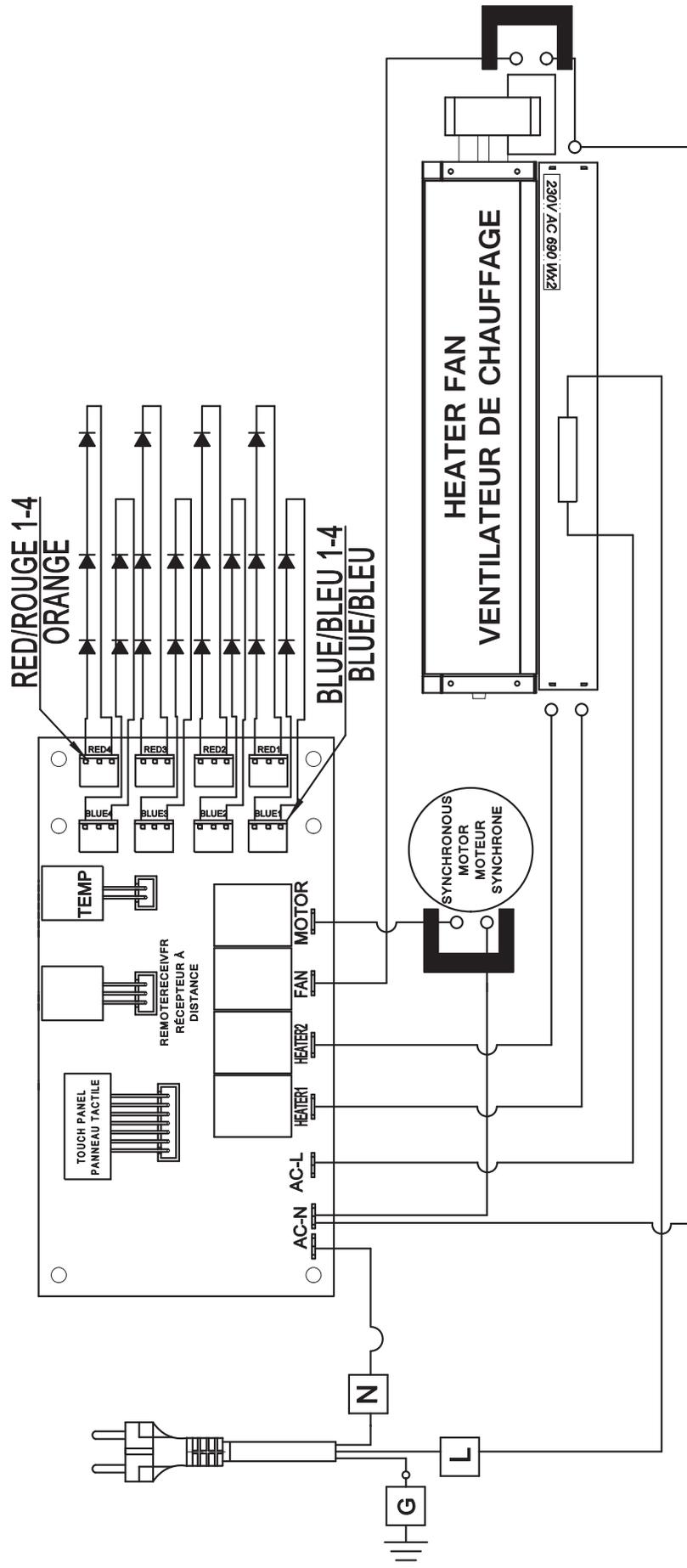


# caractéristiques électriques

## FR 4.2 schéma de câblage (NEFL42HI-EU)

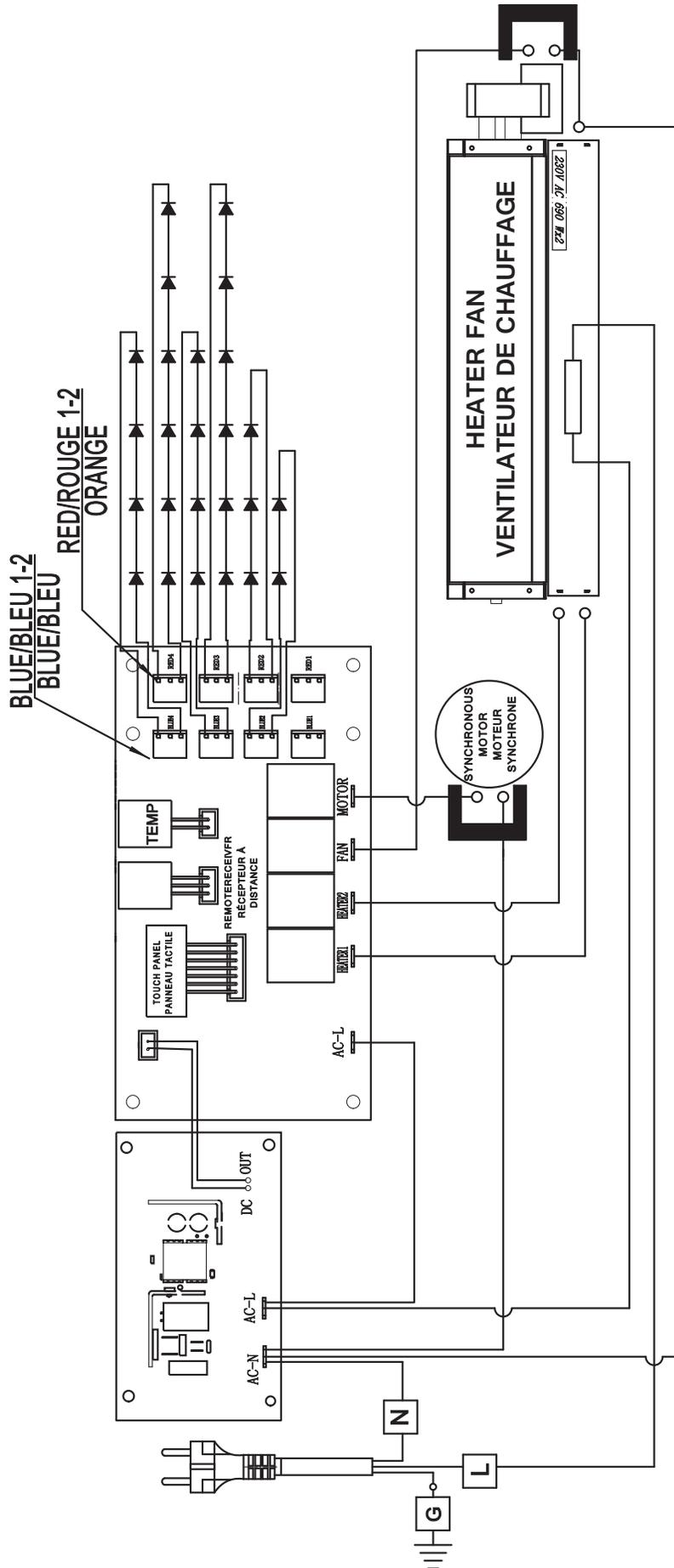


4.3 schéma de câblage (NEFL50/60HI-EU)

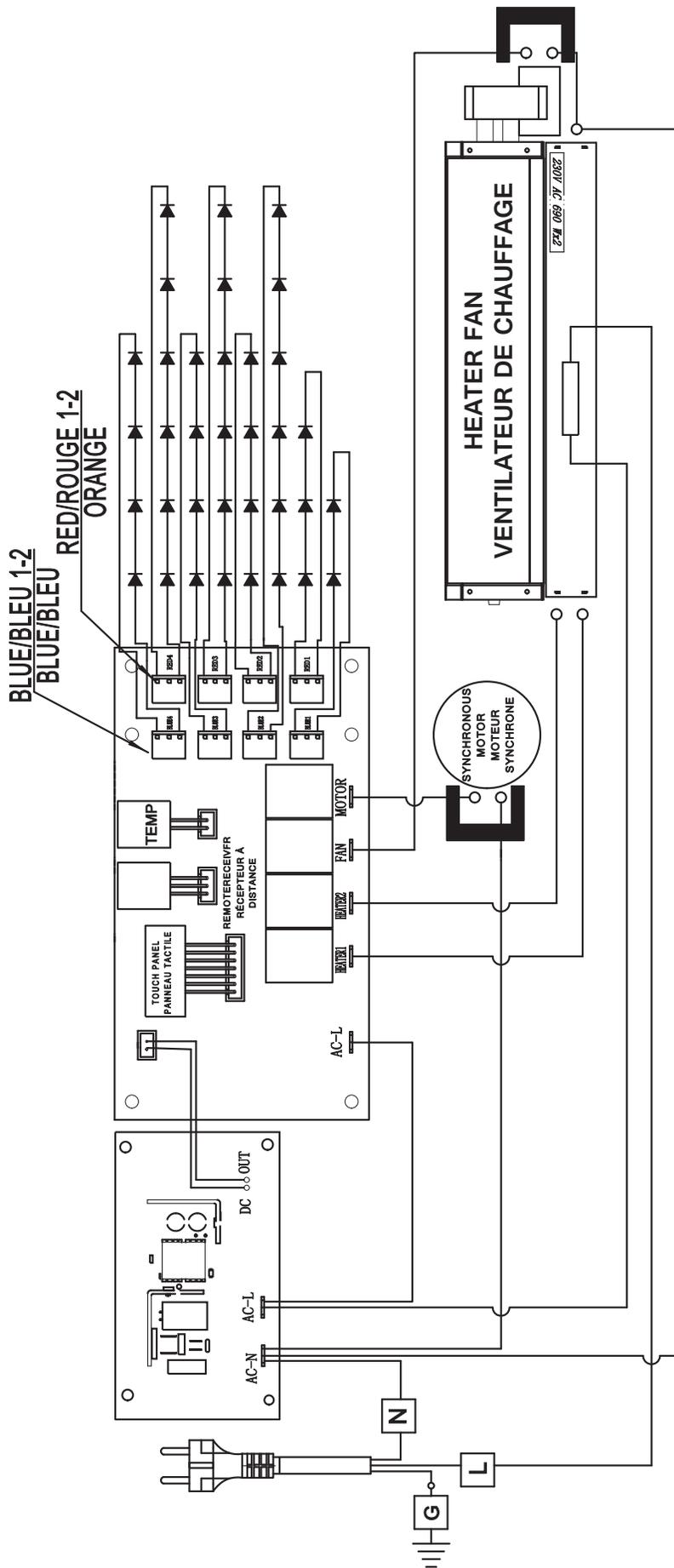


# caractéristiques électriques

## FR 4.4 schéma de câblage (NEFL72HI-EU)



4.5 schéma de câblage (NEFL100HI-EU)



## 5.0 finition

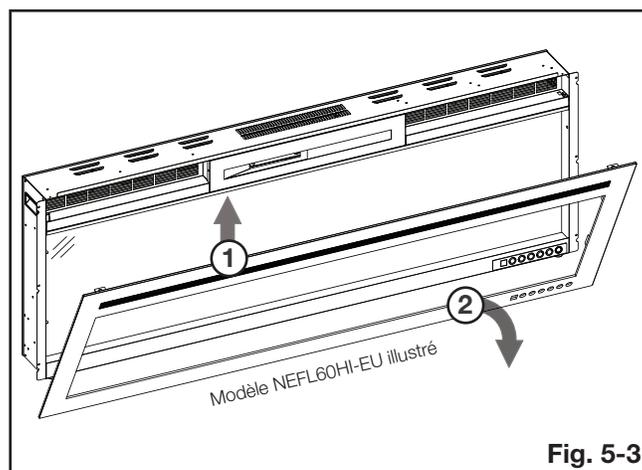
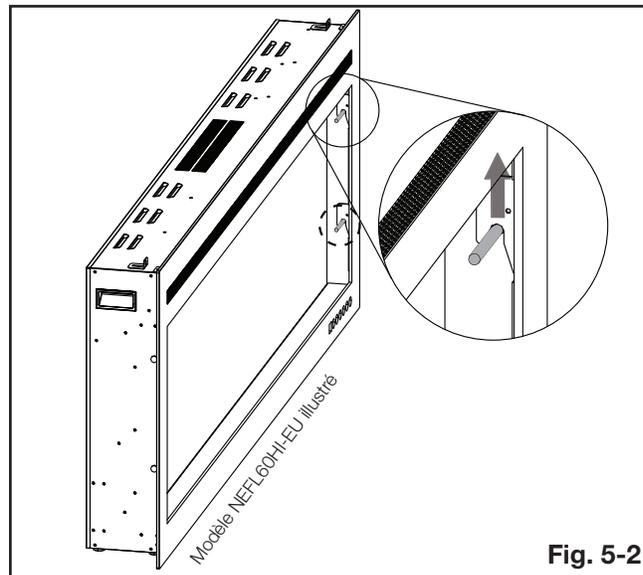
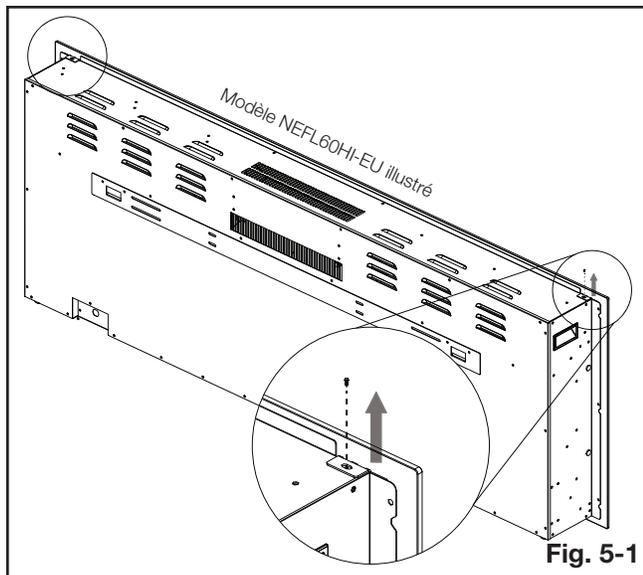
FR

### **AVERTISSEMENT**

- L'installation de l'alimentation électrique doit être terminée avant la finition pour éviter de devoir démonter l'appareil.
- Les fentes et les ouvertures d'aération ne doivent jamais être obstruées.

### 5.1 retrait / installation de la vitre

- A. Tout en retenant la vitre d'une main, retirer les deux vis (une par côté) situées en haut de l'appareil (**Fig. 5-1**). Mettre les vis de côté.
- B. Soulever délicatement la vitre et l'éloigner de l'appareil (**Fig. 5-2 and 5-3**). La placer à plat sur une surface souple et non abrasive.
- C. Suivre ces étapes dans le sens inverse pour installer la vitre.



### 5.2 installation des braises en cristal

Le cadre en verre doit être retiré et l'appareil doit être fixé à son emplacement définitif avant d'installer les braises en cristal.

- A. Nettoyer les braises en cristal avec du produit vaisselle doux. Rincer et sécher les braises en cristal avant de les placer dans le bac.
- B. Placer délicatement les braises en cristal dans le bac du foyer situé à l'avant de l'appareil, comme le montre l'illustration. Les répartir uniformément sur toute la longueur.
- C. Replacer la vitre.



Une fois branché à une prise mise à la terre ou câblé à une source d'alimentation 220-240 V dédiée, l'appareil est prêt à être utilisé.

**Remarque :**

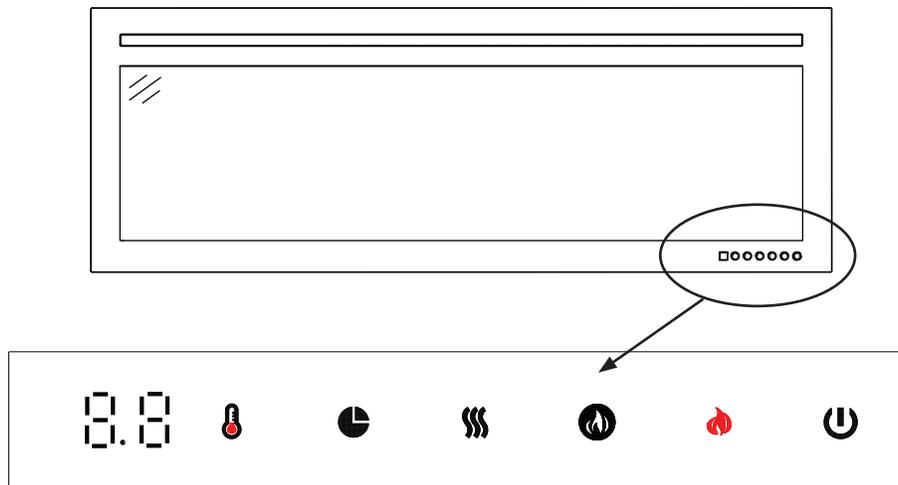
Il est nécessaire de s'assurer que les disjoncteurs d'alimentation du domicile sont allumés. En cas de coupure d'électricité, l'appareil perdra sa fonction mémoire et se réinitialisera selon les paramètres d'origine une fois le courant rétabli.

## 6.1 utilisation du panneau de commande tactile

### ! AVERTISSEMENT

- Ne pas déplacer ou retirer la vitre quand l'appareil est branché ou allumé. Une telle action entraînera le dysfonctionnement de la télécommande et du panneau tactile.

Le panneau de commande tactile s'affiche au moyen de LED situées en bas à droite de l'appareil. Si aucune fonction n'est modifiée au bout de 3 secondes, les LED s'éteignent, et l'interrupteur principal disparaît.



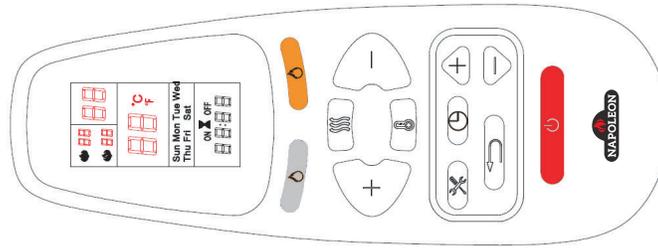
Panneau de commande

# mode d'emploi

FR

<p><b>Alimentation</b></p>		<p>Allume/éteint l'appareil.</p>																																						
<p><b>Flamme orange</b></p>		<p>Contrôle l'intensité lumineuse de la flamme orange.</p> <p><b>5 modes :</b>            F4 - Intensité maximale            F3            ↓            F2            F1            ↓            F0 - Intensité minimale</p>																																						
<p><b>Flamme blanche</b></p>		<p>Contrôle l'intensité lumineuse de la flamme blanche.</p> <p><b>5 modes :</b>            F4 - Intensité maximale            F3            ↓            F2            F1            ↓            F0 - Intensité minimale</p>																																						
<p><b>Chauffage</b></p>		<p>Contrôle le chauffage. Appuyer sur le bouton pour commencer.</p> <p><b>4 modes :</b>            HO - Chauffage et soufflerie éteints            bL - Soufflerie allumée            H1 - Le chauffage émet de l'air chaud (750 W)            H2 - Le chauffage émet de l'air très chaud (1 500 W)</p> <p><b>REMARQUE :</b> le cycle de fonctionnement du chauffage est HO-bL-H1-H2. Maintenir le bouton de chauffage appuyé pendant 5 sec. pour verrouiller le chauffage et la température sur le réglage souhaité. Appuyer à nouveau sur le bouton pendant 5 secondes pour déverrouiller.</p>																																						
<p><b>Programmateur</b></p>		<p>Contrôle la minuterie. Maintenir le bouton appuyé jusqu'au réglage souhaité.</p> <p><b>9 modes :</b> 30, 1H, 2H, 3H, 4H, 5H, 6H, 7H, 8H</p>																																						
<p><b>Température</b></p>		<p>Contrôle la température.</p> <p>1. Appuyer une fois pour activer l'indicateur du panneau tactile.            2. Appuyer à nouveau jusqu'au réglage souhaité. L'écran numérique affiche les réglages dans l'ordre suivant :</p> <table border="1" data-bbox="623 1654 1321 1770"> <thead> <tr> <th colspan="2">Valeur affichée</th> <th>0</th> <th>1</th> <th>2</th> <th>3</th> <th>4</th> <th>5</th> <th>6</th> <th>7</th> <th>8</th> <th>9</th> <th>N</th> </tr> </thead> <tbody> <tr> <td rowspan="2">Température</td> <td>°C</td> <td>18</td> <td>19</td> <td>20</td> <td>21</td> <td>22</td> <td>23</td> <td>24</td> <td>25</td> <td>26</td> <td>27</td> <td>ON</td> </tr> <tr> <td>°F</td> <td>64</td> <td>66</td> <td>68</td> <td>70</td> <td>72</td> <td>74</td> <td>76</td> <td>78</td> <td>80</td> <td>82</td> <td>ON</td> </tr> </tbody> </table> <p><b>REMARQUE :</b> appuyer sur le bouton pendant 5 sec. pour afficher la température en °C ou °F.</p>	Valeur affichée		0	1	2	3	4	5	6	7	8	9	N	Température	°C	18	19	20	21	22	23	24	25	26	27	ON	°F	64	66	68	70	72	74	76	78	80	82	ON
Valeur affichée		0	1	2	3	4	5	6	7	8	9	N																												
Température	°C	18	19	20	21	22	23	24	25	26	27	ON																												
	°F	64	66	68	70	72	74	76	78	80	82	ON																												

6.2 utilisation de la télécommande



<b>ALIMENTATION</b>		Allume/éteint l'appareil.																																					
<b>FLAMME ORANGE</b>		Contrôle l'intensité lumineuse de la flamme orange. <b>6 modes :</b> F5-F4-F3-F2-F1-F0. L'intensité de la flamme diminue de F5 à F1. F5 est le réglage le plus fort et F0 est éteint.																																					
<b>FLAMME BLANCHE</b>		Contrôle l'intensité lumineuse de la flamme blanche. <b>6 modes :</b> F5-F4-F3-F2-F1-F0. L'intensité de la flamme diminue de F5 à F1. F5 est le réglage le plus fort et F0 est éteint.																																					
<b>CHAUFFAGE</b>		Allume/éteint le chauffage. (H0) Chauffage et soufflerie éteints. (BL) Soufflerie uniquement. (H1) Le chauffage émet de l'air (H2) Le chauffage émet de l'air très chaud <b>Remarque :</b> le cycle de fonctionnement du chauffage est HO-BL-H1-H2. Maintenir le bouton de chauffage appuyé pendant 5 secondes pour verrouiller le chauffage et la température sur le réglage souhaité. Maintenir le bouton appuyé pendant 5 secondes supplémentaires pour déverrouiller la température et le chauffage.																																					
<b>RÉGLAGE DU PROGRAMMATEUR SUR LA TÉLÉCOMMANDE</b>																																							
	<b>Programmeur :</b> affiche le jour, l'heure et la semaine. Appuyer pour régler ou confirmer les paramètres du programmeur.																																						
	<b>Réglages :</b> appuyer pour passer à l'étape suivante (à utiliser avec le bouton Programmeur). Appuyer pour confirmer le programmeur hebdomadaire.																																						
	<b>Retour :</b> appuyer pour effacer les réglages du programmeur. Appuyer pour revenir à l'étape suivante (à utiliser avec le bouton Réglages).																																						
	<b>Haut et bas :</b> (à utiliser avec le bouton Réglages).																																						
<b>Écran LCD</b>																																							
<b>Jour de la semaine</b> Mon. (lundi), Tues. (mardi), Wed. (mercredi), Thurs. (jeudi), Fri. (vendredi), Sat. (samedi), Sun. (dimanche)		<b>Remarque :</b> ces fonctionnalités ne peuvent être modifiées que lorsque les lettres ou chiffres correspondants clignotent.																																					
<b>Affichage de l'Heure</b>																																							
<b>Heure / Programmeur</b> de 00:00 à 24:00 <b>Remarque :</b> 00:00-12:00 représente le matin, 13:00-24:00 représente l'après-midi/le soir.																																							
<b>TEMPÉRATURE</b>		1. Appuyer une fois pour allumer l'indicateur du panneau tactile. 2. Maintenir le bouton appuyé jusqu'au réglage souhaité. Le cycle des réglages qui s'affiche à l'écran numérique est le suivant : <table border="1"> <thead> <tr> <th>Valeur Affichée</th> <th>0</th> <th>1</th> <th>2</th> <th>3</th> <th>4</th> <th>5</th> <th>6</th> <th>7</th> <th>8</th> <th>9</th> <th>N</th> </tr> </thead> <tbody> <tr> <td rowspan="2">Température</td> <td>°C</td> <td>18</td> <td>19</td> <td>20</td> <td>21</td> <td>22</td> <td>23</td> <td>24</td> <td>25</td> <td>26</td> <td>27</td> <td>ON</td> </tr> <tr> <td>°F</td> <td>64</td> <td>66</td> <td>68</td> <td>70</td> <td>72</td> <td>74</td> <td>76</td> <td>78</td> <td>80</td> <td>82</td> <td>ON</td> </tr> </tbody> </table> <b>Remarque :</b> Maintenir le bouton appuyé pendant 5 secondes pour afficher la température en °C ou °F.	Valeur Affichée	0	1	2	3	4	5	6	7	8	9	N	Température	°C	18	19	20	21	22	23	24	25	26	27	ON	°F	64	66	68	70	72	74	76	78	80	82	ON
Valeur Affichée	0	1	2	3	4	5	6	7	8	9	N																												
Température	°C	18	19	20	21	22	23	24	25	26	27	ON																											
	°F	64	66	68	70	72	74	76	78	80	82	ON																											

**6.3.1 réglage de la date et l'heure**

1. Appuyer une fois sur  . Lorsque « MON » (lundi) se met à clignoter, utiliser  pour sélectionner le jour actuel.
2. Appuyer sur  . Lorsque les chiffres de l'heure se mettent à clignoter, utiliser  pour sélectionner l'heure actuelle.
3. Appuyer à nouveau sur  . Lorsque les chiffres des minutes se mettent à clignoter, utiliser  pour sélectionner les minutes actuelles.
4. Appuyer à nouveau sur  . L'heure est maintenant configurée.

**6.3.2 réglage des temps d'allumage et de la température par cycle hebdomadaire**

1. Appuyer sur  . Lorsque « MON » (lundi) se met à clignoter, appuyer trois fois sur  . Lorsque « ON » se met à clignoter, utiliser  pour sélectionner l'heure à laquelle allumer le chauffage. Appuyer à tout moment sur  pour effacer les chiffres et désactiver le mode « ON » du programmeur.

**Remarque :**

Si la température a déjà été configurée, ces chiffres s'afficheront à la place de « 18 ».

2. Appuyer sur  . Lorsque « OFF » se met à clignoter, utiliser  pour sélectionner l'heure à laquelle arrêter le chauffage. Appuyer à tout moment sur  pour effacer les chiffres et désactiver le mode « OFF » du programmeur.
3. Appuyer à nouveau sur  . Lorsque « 18 » se met à clignoter, utiliser  pour sélectionner la température souhaitée le lundi.

**Remarque :**

Si la température a déjà été configurée, ces chiffres s'afficheront à la place de « 18 ».

4. Appuyer à nouveau sur  . Lorsque « TUES » (mardi) s'affiche à l'écran et que « ON » se met à clignoter, utiliser  pour sélectionner l'heure à laquelle allumer le chauffage le mardi.
5. Appuyer à nouveau sur  . Lorsque « OFF » se met à clignoter, utiliser  pour sélectionner l'heure à laquelle arrêter le chauffage le mardi.
6. Appuyer à nouveau sur  . Lorsque « 18 » se met à clignoter, utiliser  pour sélectionner la température souhaitée le mardi.
7. Répéter les étapes 1 à 6 pour régler les temps de marche/arrêt et la température pour le mercredi, jeudi, vendredi, samedi et dimanche.
8. Appuyer sur  ou  pour valider la programmation, en pointant la télécommande sur le récepteur situé au centre de l'appareil. L'appareil émet un « bip » pour confirmer que la programmation a bien fonctionné.

**6.3.3 détection de fenêtre ouverte**

Si la température de la pièce baisse de 10 degrés en l'espace de 3 minutes, l'appareil considère qu'une fenêtre est ouverte à proximité. Afin d'économiser de l'énergie, le chauffage passe automatiquement d'une chaleur élevée à une chaleur basse, ou bien s'éteint s'il est déjà réglé sur une chaleur basse.

Lorsqu'il passe du réglage High Heat (chaleur élevée) à Low Heat (chaleur basse), l'appareil émet 3 bips et le message « 88 » clignote trois fois sur l'écran numérique avant que le nouveau réglage du chauffage s'affiche.

Lorsqu'il est réglé sur une chaleur basse et qu'il s'éteint, l'appareil émet 3 bips et le message « 88 » clignote en continu sur l'écran numérique.

Pour réinitialiser la fonction de chauffage, consulter la section « utilisation de la télécommande ».

### **AVERTISSEMENT**

- Omettre de positionner les pièces conformément à ce manuel ou d'utiliser uniquement des pièces spécifiquement approuvées pour cet appareil peut causer des dommages matériels ou des blessures corporelles.

Contactez votre détaillant pour les questions concernant les prix et la disponibilité des pièces de remplacement. Normalement, toutes les pièces peuvent être commandées chez votre détaillant autorisé.

**Pour un remplacement de pièce sous garantie, une photocopie de la facture originale sera requise afin de pouvoir honorer la demande.**

Lorsque vous commandez des pièces, donnez toujours l'information suivante:

- Modèle et numéro de série de l'appareil
- Date d'installation de l'appareil
- Numéro de la pièce
- Description de la pièce
- Fini

**Pièces, numéro des pièces et s'il soit disponible peut changer sans préavis.**

**Parties identifiées comme garnie seront livrés dans 2 à 5 jours pour la plupart des destinations de livraison.**

**Pièces non identifiées que stockés seront livrés dans un délai de 2 à 4 semaines pour la plupart des cas.**

**Pièces identifiées comme « SO » sont commande spéciale et peuvent prendre jusqu'à 90 jours pour la livraison.**

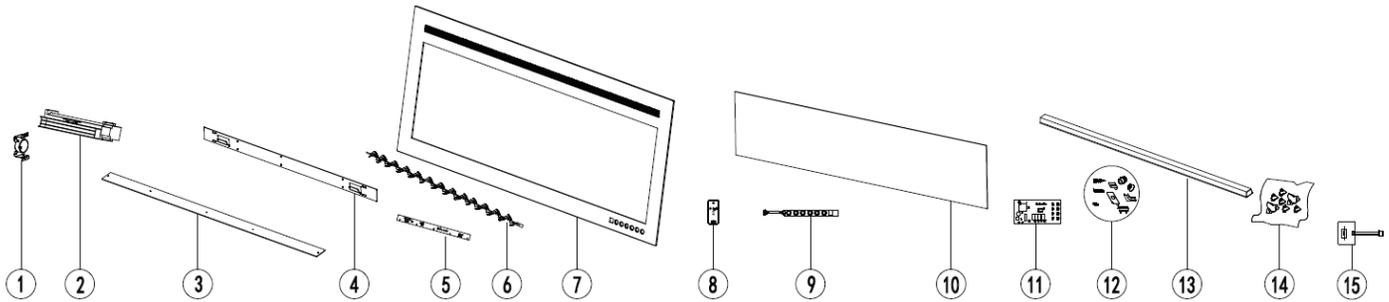
#### **Remarque :**

Le verre cassé ou les composants endommagés doivent être retirés et jetés avec précaution. À l'aide d'un aspirateur, retirer tout éclat de verre restant avant d'utiliser l'appareil.

# pièces de rechange

FR

## 7.1 vue d'ensemble des pièces pour les modèles NEFL42/50/60/72/100HI-EU



Les produits peuvent être légèrement différents des illustrations présentées ici.

Réf.	Description	Numéro de la pièce					En stock
		NEFL42HI-EU	NEFL50HI-EU	NEFL60HI-EU	NEFL72HI-EU	NEFL100HI-EU	
1	Moteur synchrone	W435-0105-SER					Oui
2	Ensemble de la soufflerie et de l'élément chauffant	W010-4774-SER					Oui
3	Bande plastique	W497-1598-SER	W497-1599-SER	W497-1600-SER	W497-1604-SER	W497-1605-SER	Oui
4	Support de fixation murale	W080-1616		W080-1621	W080-1616	W080-1621	Oui
5	Lumière LED	W405-0055 + W405-0056					Oui
6	Tige réfléchissante	W527-0036-SER	W527-0037-SER	W527-0038-SER	W527-0039-SER	W527-0040-SER	Oui
7	Vitre	W300-0304-SER	W300-0305-SER	W300-0306-SER	W300-0308-SER	W300-0309-SER	Oui
8	Télécommande	W190-0189-SER					Oui
9	Panneau de commande (avec récepteur de télécommande)	W010-4541-SER					Oui
10	Panneau en plastique acrylique	W475-6136-SER	W475-6137-SER	W475-6138-SER	W475-6139-SER	W475-6140-SER	Oui
11	Carte de circuit imprimé	W190-0190-SER			W190-0191-SER		Oui
12	Liste du matériel	W370-0185-SER			W370-0188-SER		Oui
13	Goulotte	W200-0572					Oui
14	Cristal	W497-1601-SER	W497-1602-SER	W497-1603-SER	W497-1606-SER	W497-1607-SER	Oui
15	Thermostat	W690-0021					Oui
16*	Adaptateur pour le Royaume-Uni	W005-0023-SER					
17*	Adaptateur pour la Suisse	W005-0024-SER					

\*Illustration des pièces non fournies.

## AVERTISSEMENT

- Avant tout entretien, éteindre l'appareil et attendre qu'il refroidisse. L'entretien et la réparation de cet appareil électrique ne doivent être effectués que par un professionnel.

symptôme	problème	solution
L'appareil ne s'allume pas lorsque le bouton de mise en marche/l'interrupteur est en position « ON ».	L'appareil n'est pas branché à une prise de courant.	Vérifier le branchement et brancher l'appareil si nécessaire.
	Les raccordements câblés sont incorrects.	Consulter la section « installation du raccordement câblé ».
	L'appareil a surchauffé et l'interrupteur thermique de sécurité s'est déclenché.	Débrancher le câble d'alimentation ou éteindre le disjoncteur, laisser l'appareil refroidir pendant 15 minutes, puis brancher l'appareil ou allumer le disjoncteur.
L'appareil s'éteint et ne se rallume pas.	Problème au niveau du circuit imprimé principal.	Inspecter le circuit imprimé et remplacer si nécessaire.
	Le disjoncteur du domicile a sauté.	Réarmer le disjoncteur du domicile.
	Le fusible de l'appareil a sauté.	Remplacer le fusible.
L'appareil a surchauffé et l'interrupteur thermique de sécurité s'est déclenché.	L'appareil a surchauffé et l'interrupteur thermique de sécurité s'est déclenché.	Débrancher le câble d'alimentation ou éteindre le disjoncteur, laisser l'appareil refroidir pendant 15 minutes pour réinitialiser l'interrupteur thermique, puis brancher l'appareil ou allumer le disjoncteur.
	L'appareil s'est réinitialisé sur les réglages par défaut.	Reprogrammer l'appareil sur les réglages d'origine (ne s'applique pas à tous les appareils).
La télécommande ne fonctionne pas.	Panne de courant.	Reprogrammer l'appareil sur les réglages d'origine (ne s'applique pas à tous les appareils).
	Piles déchargées/usagées.	Remplacer les piles de la télécommande.
L'appareil ne produit pas d'air chaud.	Défaillance du récepteur de télécommande.	Vérifier que rien n'obstrue le récepteur de la télécommande. Remplacer le panneau de commande.
	Le réglage du chauffage n'est pas sélectionné.	Consulter la section « mode d'emploi ».
	Le chauffage a été verrouillé.	Consulter la section « mode d'emploi ».
	La température de la pièce est plus élevée que le réglage de l'appareil (s'il est réglé sur la température ambiante).	Réinitialiser le réglage de température.
	L'appareil a surchauffé et l'interrupteur thermique de sécurité s'est déclenché.	Débrancher le câble d'alimentation ou éteindre le disjoncteur. Laisser l'appareil refroidir pendant 15 minutes.
	Les raccordements câblés sont incorrects.	Consulter la section « installation du raccordement câblé ».
Le chauffage s'éteint automatiquement.	Problème de chauffage.	Inspecter la soufflerie et le chauffage, et remplacer si nécessaire.
	La température de la pièce est trop élevée.	Le chauffage possède un thermostat intégré, il s'éteint donc automatiquement une fois la température pré-réglée atteinte. Il se met également en marche automatiquement si la température de la pièce descend en dessous de la température pré-réglée.
Flamme faible ou inexistante.	L'intensité lumineuse de la flamme n'est pas sélectionnée.	Consulter la section « mode d'emploi ».
	Problème de l'éclairage LED de la flamme.	Inspecter la lampe LED et remplacer si nécessaire.
	Problème au niveau du circuit imprimé principal.	Inspecter le circuit imprimé principal et remplacer si nécessaire.

# dépannage

FR

La flamme ne bouge pas.	Le moteur est bloqué/défaillant.	Éteindre et rallumer plusieurs fois. Si le problème persiste, contacter le détaillant.
Le lit de braises ne s'illumine pas.	L'intensité lumineuse n'est pas sélectionnée.	Consulter la section « mode d'emploi ».
	Problème de l'éclairage LED des braises.	Inspecter les lampes LED du lit de braises et remplacer si nécessaire.
	Problème au niveau du circuit imprimé principal.	Inspecter le circuit imprimé principal et remplacer si nécessaire.
Le message « OH » clignote.	L'appareil a surchauffé et l'interrupteur thermique de sécurité s'est déclenché.	Débrancher le câble d'alimentation ou éteindre le disjoncteur. Laisser l'appareil refroidir pendant 15 minutes, puis brancher l'appareil ou allumer le disjoncteur. Si le problème persiste, contacter le détaillant.

**Les appareils électriques Napoleon** sont fabriqués dans le respect de la norme mondialement reconnue ISO 9001:2015 sur les systèmes de gestion de la qualité.

**Les produits Napoleon** sont fabriqués à partir de composants et de matériaux de qualité supérieure. Ils sont assemblés par des artisans expérimentés, qui sont fiers de leur travail. Une fois assemblé et avant d'être emballé, l'appareil est minutieusement inspecté par un installateur, une agence de service ou un fournisseur qualifié(e) et agréé(e) pour s'assurer que le client reçoive le niveau de qualité qu'il attendait de la part de son produit **Napoleon**.

### Garantie limitée des appareils électriques Napoleon

Les composants électriques et les pièces d'usure sont couverts : **Napoleon** fournira gratuitement les pièces de rechange au cours des 2 premières années de la garantie limitée. Cela s'applique aux : ventilateurs/éléments chauffants, moteurs, interrupteurs, composants de nylon, télécommandes et lampes LED.\*

Les ampoules et les fusibles **NE SONT PAS** couverts par la garantie.

Toute main-d'œuvre liée à une réparation sous garantie n'est pas couverte.

\* La fabrication des modèles varie. La garantie ne s'applique qu'aux composants inclus dans votre appareil spécifique.

### Conditions et restrictions

**Napoleon** garantit ses produits contre tout défaut de fabrication uniquement à son client d'origine. Il n'est pas nécessaire d'enregistrer votre garantie. Il vous suffit de fournir une preuve d'achat, ainsi que le modèle et le numéro de série pour faire une réclamation sous garantie. Si l'achat a été effectué auprès d'un détaillant **Napoleon** agréé, votre appareil est soumis aux conditions et restrictions suivantes :

La couverture de la garantie commence à la date de la première installation.

Cette garantie constructeur n'est pas cessible et ne peut pas être prolongée, de quelque manière que ce soit, par l'un de nos représentants.

L'installation doit être réalisée conformément aux instructions d'installation fournies avec le produit, ainsi qu'à tous les codes régionaux et nationaux de construction et des incendies.

Cette garantie limitée ne couvre pas les dommages résultant d'une mauvaise utilisation, d'un manque d'entretien, d'un accident, d'altérations, d'abus ou de négligence. Si des pièces sont installées par d'autres fabricants, cette garantie devient nulle.

Cette garantie limitée ne couvre pas non plus les rayures, les bosselures, la corrosion ou la décoloration résultant d'une chaleur excessive, de nettoyants chimiques et abrasifs, ni les éclats sur les pièces en émail vitrifié ou toute faille mécanique des bûches PHAZER™.

Au cours des deux premières années seulement, cette garantie s'étend à la réparation ou au remplacement de pièces sous garantie qui s'avèrent être défectueuses en termes de matériaux ou de fabrication, sous réserve que le produit ait été utilisé conformément aux instructions d'utilisation et dans des conditions normales.

**Napoleon** n'est pas responsable de l'installation, de la main-d'œuvre ou de toute autre dépense liée à la réinstallation d'une pièce sous garantie. De telles dépenses ne sont pas couvertes par la garantie. Nonobstant toute disposition prévue dans la garantie limitée, la responsabilité de **Napoleon** au titre de cette garantie est définie comme ci-dessus, et elle ne peut s'appliquer en aucune façon à des dommages accessoires, immatériels ou indirects.

Cette garantie définit les obligations et la responsabilité de **Napoleon** à l'égard de l'appareil électrique **Napoleon** et de toute autre garantie formelle ou tacite vis-à-vis de ce produit ; ses composants ou accessoires sont exclus.

**Napoleon** n'assume aucune autre obligation et n'autorise aucun tiers à assumer d'autres obligations en son nom au titre de la vente de ce produit.

Tout dégât causé à l'appareil, à la garniture en laiton ou à d'autres composants par de l'eau, des intempéries, de longues périodes d'humidité, de la condensation, des produits chimiques ou des nettoyants n'est pas de la responsabilité de **Napoleon**.

**Napoleon** se réserve le droit de demander à l'un de ses représentants d'inspecter un produit ou une pièce du produit avant d'honorer une demande de garantie.

Toutes les pièces remplacées sous la politique de garantie limitée doivent faire l'objet d'une seule réclamation.

Toutes les pièces remplacées sous la garantie sont couvertes pendant 90 jours à compter de la date de leur installation.

Le fabricant peut exiger que les pièces ou les produits défectueux soient renvoyés, ou que des photos numériques soient fournies lors de la réclamation. Les produits retournés doivent être expédiés port payé au fabricant pour enquête. S'il s'avère qu'un produit est défectueux, le fabricant assurera la réparation ou le remplacement du produit.

Avant d'expédier votre appareil ou ses composants défectueux, votre détaillant doit obtenir un numéro d'autorisation. Toute marchandise expédiée sans autorisation sera refusée et retournée à l'expéditeur.

Les frais de livraison ne sont pas couverts par cette garantie.

Des frais de service supplémentaires peuvent s'appliquer si vous utilisez le service de garantie d'un détaillant.

Toutes les caractéristiques et les designs peuvent varier sans préavis en raison d'améliorations continues des produits. **Napoleon** est une marque déposée de Wolf Steel Ltd.

# NAPOLÉON CÉLÈBRE PLUS DE 40 ANS D'EXISTENCE CONSACRÉS À LA CONCEPTION DE PRODUITS DE CONFORT



**WEEE :**



**Signification du logo affichant une poubelle barrée :**

**Ne pas jeter les appareils électriques dans les ordures ménagères non sujettes au tri sélectif. Utiliser des points de collecte adaptés. Contacter la collectivité locale pour connaître les modalités de tri sélectif. Si les appareils électriques sont jetés dans une décharge, des substances toxiques peuvent s'infiltrer dans le sol, atteindre les nappes phréatiques et contaminer la chaîne alimentaire, menaçant alors la santé humaine.**

**Lors de l'achat d'un nouvel appareil, le vendeur est tenu de reprendre gratuitement l'ancien et de se charger lui-même du dépôt en déchetterie.**



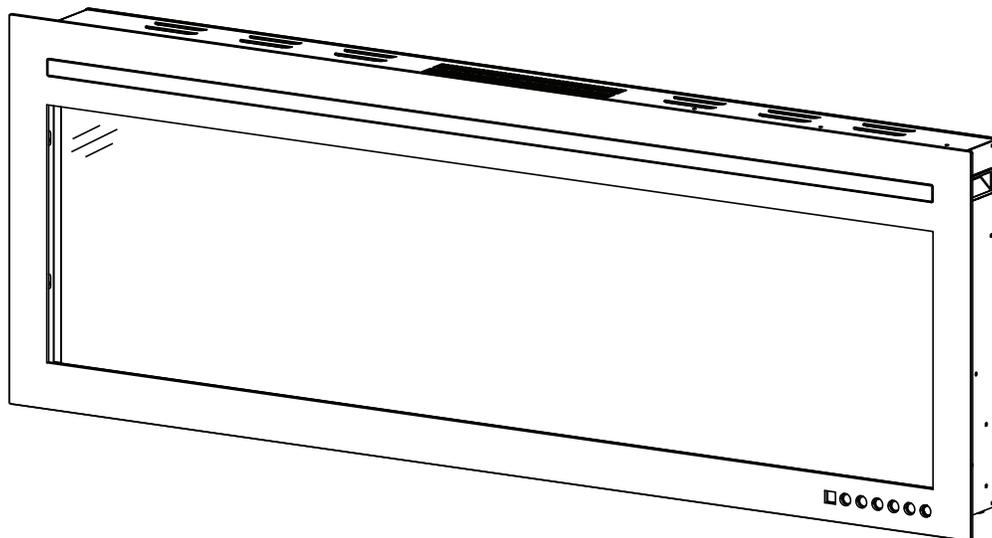
7200, Route Transcanadienne, Montréal, Québec H4T 1A3  
24 Napoleon Road, Barrie, Ontario, Canada L4M 0G8  
214 Bayview Drive, Barrie, Ontario, Canada L4N 4Y8  
103 Miller Drive, Crittenden, Kentucky, USA 41030  
De Riemsdijk 22, 4004 LC Tiel, Pays-Bas  
napoleon.com



# INSTALLATIONS- UND BETRIEBSHANDBUCH

## Geltungsbereich Serien 42/50/60/72/100

(NEFL60HI-EU abgebildet)



### SICHERHEITSMITTEILUNGEN

#### ⚠️ WARNUNG

#### BRAND- ODER EXPLOSIONSGEFAHR

Wenn die Informationen in diesen Anweisungen nicht genau befolgt werden, kann es zu einem Brand oder einer Explosion kommen, die Sachschäden, Personenschäden oder den Tod zur Folge haben kann.

– Lagern oder verwenden Sie kein Benzin oder andere entzündliche Gase und Flüssigkeiten in der Nähe dieses oder eines anderen Geräts.

#### INSTALLATEUR:

Bewahren Sie dieses Handbuch in der Nähe des Geräts auf

#### VERBRAUCHER:

Bewahren Sie dieses Handbuch zum künftigen Nachschlagen auf

**ZUR AUSSCHLIESSLICHEN VERWENDUNG  
IN INNENRÄUMEN**

**IMPORTIERT VON WOLF STEEL EUROPE (NIEDERLANDE)**



SERIENNUMMER VOM KARTON AUFBRINGEN



Wolf Steel Europe BV  
De Riemsdijk 22, 4004 LC Tiel, Niederlande

## **WARNUNG**

- **Falls das Gerät mit einer Heizung ausgestattet ist, kann es während des Betriebs heiß werden. Bei Berührung kann es zu schweren Verbrennungen kommen.**
- Betreiben Sie das Gerät erst, wenn Sie die Betriebsanweisungen gelesen und verstanden haben. Wenn Sie das Gerät nicht entsprechend den Betriebsanweisungen betreiben, kann es zu Bränden oder Verletzungen kommen.
- Montieren Sie keine beschädigten, unvollständigen oder Ersatzkomponenten.
- Verbrennen Sie kein Holz oder andere Materialien in diesem Gerät.
- Alle Elektrogeräte besitzen im Innern heiße und funkenbildende Teile. Verwenden Sie sie nicht in Bereichen, in denen es Gasleitungen, Farbe oder brennbare Flüssigkeiten gibt.
- Werden Schutzscheiben oder -gitter zwecks Wartung entfernt, müssen diese vor erneuter Inbetriebnahme des Geräts wieder angebracht werden.
- Das Fach mit den Bedienelementen, das Umwälzgebläse und seine Öffnungen im Gerät müssen unbedingt sauber gehalten werden. Das Gerät ist vor der Benutzung und mindestens einmal jährlich von qualifiziertem Servicepersonal zu prüfen. Bei übermäßigem Vorhandensein von Fusseln von Teppichen, Bettwäsche etc. ist möglicherweise eine häufigere Reinigung erforderlich. Der Gerätebereich ist frei von brennbaren Materialien, Benzin und anderen entzündlichen Gase und Flüssigkeiten zu halten.
- Dieses Gerät darf unter keinen Umständen modifiziert werden.
- Verwenden Sie dieses Gerät nicht, wenn eines seiner Teile mit Wasser in Berührung gekommen ist. Rufen Sie umgehend einen qualifizierten Servicetechniker an, damit er das Gerät prüft und die Teile des Kontrollsystems, die mit Wasser in Berührung gekommen sind, austauscht.
- Betreiben Sie Geräte mit Glastüren nicht, wenn die Glasscheibe entfernt wurde, gesprungen oder zerbrochen ist. Das Glas ist von lizenziertem oder qualifiziertem Servicepersonal auszutauschen. Schlagen oder knallen Sie die Glastür des Geräts nicht zu.
- Bewahren Sie das Verpackungsmaterial außerhalb der Reichweite von Kindern auf, und entsorgen Sie es auf sichere Art und Weise. Wie alle Plastiktüten sind sie kein Spielzeug und müssen von Kindern ferngehalten werden.
- Während der Wartung muss das Gerät von der Stromversorgung getrennt sein.
- Ziehen Sie immer den Netzstecker des Geräts, wenn es nicht in Gebrauch ist.
- Betreiben Sie das Gerät nicht, wenn das Kabel oder der Stecker beschädigt wurde, nachdem das Gerät eine Störung aufgewiesen hat, fallen gelassen oder auf irgendeine Weise beschädigt wurde. Geben Sie das Gerät zwecks Begutachtung, elektrischer oder mechanischer Anpassung oder Reparatur bei der autorisierten Servicestelle ab.
- Nicht im Freien verwenden.
- Bei der Installation des Geräts in einem Raum, in dem Wasser vorhanden ist, muss die Installation den Vorschriften bezüglich der erhöhten Gefahr von Stromschlägen und Elektroschocks entsprechen.

### **Hinweis:**

Dieses Gerät ist NICHT für den Einbau im Bad geeignet.

- Verlegen Sie das Kabel nicht unter Teppichboden. Decken Sie das Kabel nicht mit kleinen Teppichen, Läufern oder Ähnlichem ab. Verlegen Sie das Kabel abseits von Verkehrsflächen und dort, wo keine Stolpergefahr besteht.
- Schließen Sie es nur an ordnungsgemäß geerdete Steckdosen an.
- Achten Sie darauf, dass keine Fremdkörper in Lüftungs- oder Abluftöffnungen geraten, da dies zu Stromschlag oder Brand führen oder das Gerät beschädigen könnte.
- Es ist normal, dass Ihr elektrisches Gerät Geräusche erzeugt, insbesondere wenn es in einem ruhigen Raum wie einem Schlafzimmer installiert ist.

## **WARNUNG**

- Zur Reduzierung der Brandgefahr darf der Luftein- und -auslass in keiner Weise blockiert werden. Nicht auf weichen Oberflächen wie Teppichen verwenden, auf denen Öffnungen blockiert werden können.
- Geräte immer direkt an eine Wandsteckdose anschließen. Niemals ein Verlängerungskabel oder eine Steckdosenleiste verwenden.
- Diese Geräte wurden ausschließlich für die Verwendung mit dem in diesen Anweisungen aufgeführten optionalen Zubehör geprüft und gelistet. Die Verwendung von optionalem Zubehör, das nicht speziell für dieses Gerät getestet wurde, kann zum Erlöschen der Garantie bzw. zu einem Sicherheitsrisiko führen.

### **Für Geräte, die mit einer Heizung ausgestattet sind:**

- Verbrennungsrisiko. Vor der Wartung müssen Sie die Stromversorgung zum Gerät trennen und das Gerät abkühlen lassen. Um die Stromversorgung zum Gerät zu trennen, drehen Sie die Bedienelemente in die Position „off“ (aus), und ziehen Sie dann den Stecker aus der Steckdose.
- Kleine Kinder sind gut zu beaufsichtigen, wenn sie sich in demselben Raum wie das Gerät befinden. Kleine Kinder und andere könnten sich versehentlich verbrennen. Eine physische Barriere wird empfohlen, wenn sich gefährdete Personen im Haus befinden. Um den Zugang zu einem Gerät oder einem Ofen zu versperren, montieren Sie ein verstellbares Sicherheitsgitter, sodass kleine Kinder und andere gefährdete Personen nicht den Raum betreten und heiße Oberflächen berühren können.
- Kleidung oder andere brennbare Materialien dürfen nicht auf dem oder in der Nähe des Geräts platziert werden.
- Aufgrund der hohen Temperaturen ist das Gerät außerhalb von Verkehrsflächen und abseits von Möbeln und Vorhängen zu platzieren.
- Ergreifen Sie geeignete Sicherheitsvorkehrungen, um sicherzustellen, dass Kinder/Kleinkinder keine heißen Oberflächen berühren können.
- Auch nach dem Ausschalten des Geräts bleibt das Glas bzw. die Scheibe längere Zeit heiß.
- Fragen Sie Ihren Fachhändler vor Ort nach Schutzscheiben und Schutzvorrichtungen für Feuerstellen, um Kinder vor heißen Oberflächen zu schützen. Diese Scheiben und Schutzvorrichtungen sind am Boden zu befestigen.
- Achten Sie auf Einhaltung von Abständen zu brennbaren Materialien, wenn Sie eine Kaminumfassung oder Regale über dem Gerät montieren. Erhöhte Temperaturen an der Wand oder in der Luft über dem Gerät können dazu führen, dass Dekoration, Fernseher oder andere elektronischen Komponenten schmelzen, sich verfärben oder beschädigt werden.
- Das Gerät darf nicht unmittelbar unter einer Steckdose platziert werden.
- Sofern sie beaufsichtigt werden oder bezüglich des sicheren Gebrauchs des Geräts unterwiesen wurden und die daraus resultierenden Gefahren verstehen, dürfen Kinder ab 8 Jahren sowie Personen mit verringerten physischen, sensorischen oder mentalen Fähigkeiten oder Mangel an Erfahrung und Wissen das Produkt benutzen. Kinder dürfen nicht mit dem Gerät spielen. Reinigung und Wartung dürfen nur dann von Kindern ausgeführt werden, wenn sie dabei beaufsichtigt werden.

 **WARNUNG:** Durch dieses Produkt können Sie Chemikalien, einschließlich Blei und bleihaltigen Stoffen, ausgesetzt werden, die im Staat Kalifornien als krebserzeugend eingestuft werden, sowie Chemikalien, einschließlich BBP und DEHP, die im Staat Kalifornien als Ursache für Geburtsfehler oder anderen Schädigungen der Fortpflanzungsfähigkeit eingestuft werden. Weitere Informationen finden Sie unter [www.P65Warnings.ca.gov](http://www.P65Warnings.ca.gov).

# Inhaltsverzeichnis

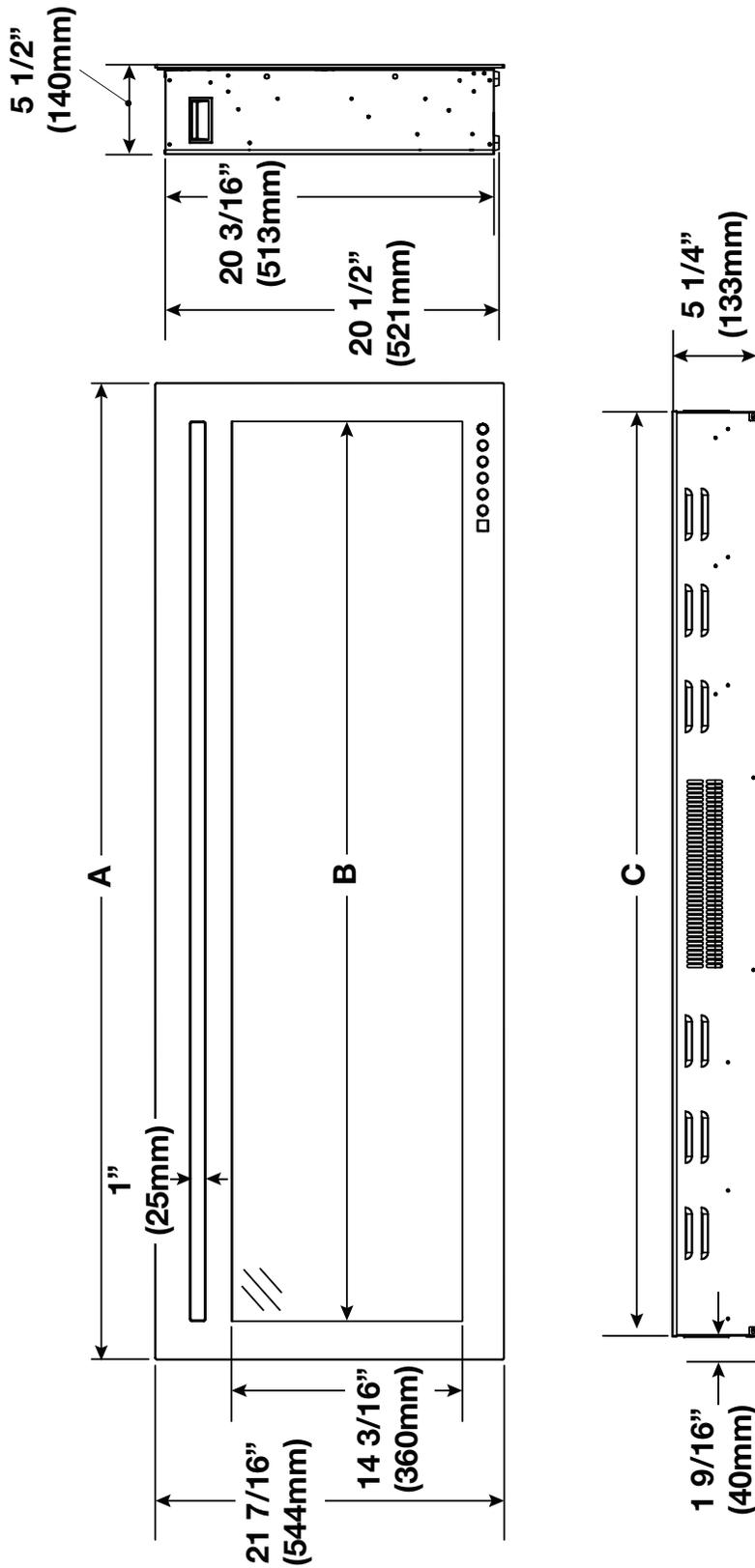
DE

<b>1.0</b>	<b>Allgemeine Informationen</b>	<b>5</b>
1.1	Abmessungen (NEFL42/50/60HI-EU)	5
1.2	Abmessungen (NEFL72/100HI-EU)	6
1.3	Typenschildinformationen	7
1.4	Etikettposition	7
1.5	Zulassungen	8
1.6	Allgemeine Anweisungen	8
1.7	Auspacken und Testen des Geräts	9
1.8	Liste der Montageteile	9
<b>2.0</b>	<b>Aufstellen des Geräts</b>	<b>10</b>
<b>3.0</b>	<b>Installation</b>	<b>11</b>
3.1	Mindestabstand zu brennbaren Materialien	11
3.2	Einrahmung	12
3.3	Wandmontage	13
3.4	Voreinbau	15
3.4.1	Vollständiger Einbau	15
3.4.2	Teilweiser Einbau	16
<b>4.0</b>	<b>Elektrische Informationen</b>	<b>17</b>
4.1	Installation der Festverdrahtung	17
4.2	Anschlussplan (NEFL42HI-EU)	18
4.3	Anschlussplan (NEFL50/60HI-EU)	19
4.4	Anschlussplan (NEFL72HI-EU)	20
4.5	Anschlussplan (NEFL100HI-EU)	21
<b>5.0</b>	<b>Abschließende Schritte</b>	<b>22</b>
5.1	Abnehmen/Anbringen der Glasscheibe	22
5.2	Installation der Kristallglut-Elemente	22
<b>6.0</b>	<b>Betriebsanweisungen</b>	<b>23</b>
6.1	Bedienen des Touch-Displays	23
6.2	Bedienen der Fernbedienung	25
6.3	Zeiteinstellungen auf der Fernbedienung	26
6.3.1	Einstellen von Datum und Uhrzeit	26
6.3.2	Festlegen der Ein-/Ausschaltzeit und Temperatur in wöchentlichem Rhythmus	26
6.3.3	Warnung zu offenem Fenster	26
<b>7.0</b>	<b>Ersatzteile</b>	<b>27</b>
7.1	NEFL42/50/60/72/100HI-EU Übersicht	28
<b>8.0</b>	<b>Fehlerbehebung</b>	<b>29</b>
<b>9.0</b>	<b>Garantie</b>	<b>31</b>

## Hinweis:

Die Informationen in diesem Handbuch gelten zum Zeitpunkt des Drucks als korrekt. Wolf Steel Ltd. behält sich das Recht vor, die Informationen in diesem Handbuch jederzeit ohne Ankündigung zu ändern. Änderungen, die nicht redaktioneller Art sind, werden durch eine vertikale Linie am Rand gekennzeichnet.

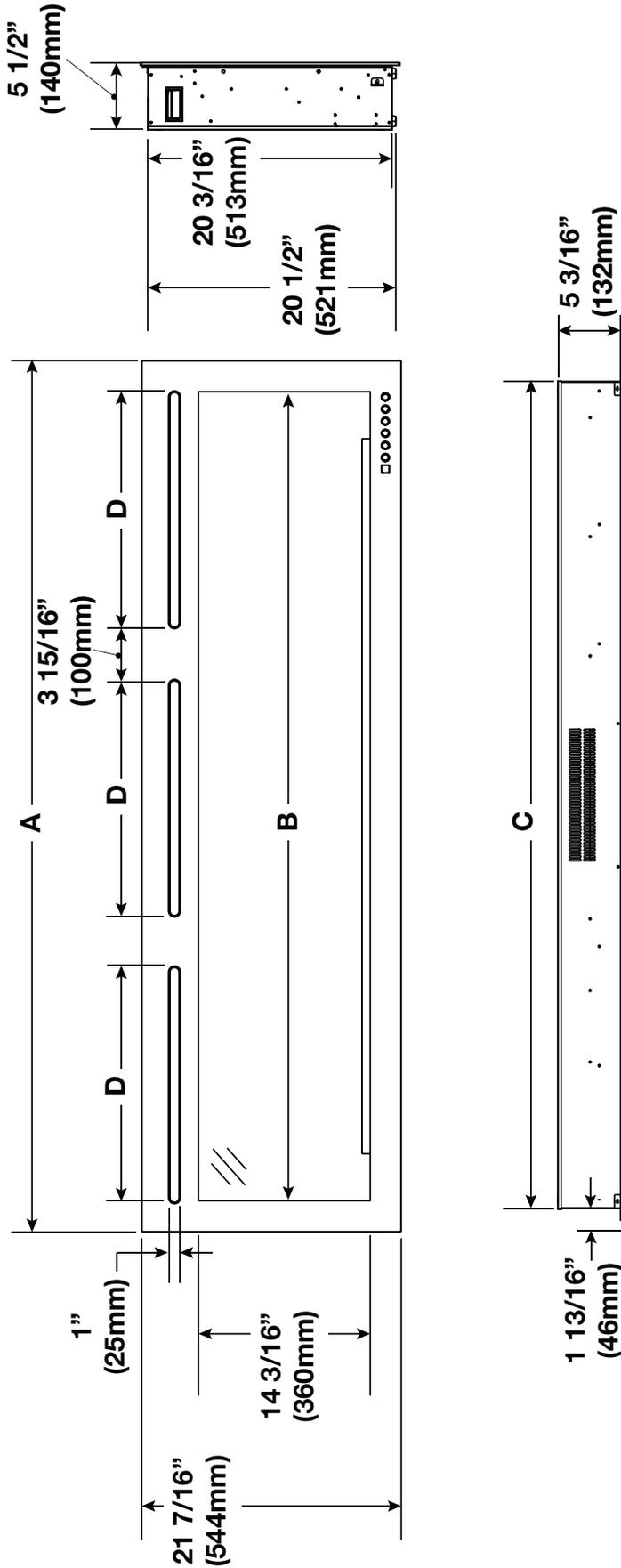
## 1.1 Abmessungen (NEFL42/50/60HI-EU)



	A	B	C
NEFL42HI-EU	42" (1067mm)	37 5/16" (948mm)	38 15/16" (989mm)
NEFL50HI-EU	50" (1270mm)	45 5/16" (1151mm)	46 15/16" (1192mm)
NEFL60HI-EU	60" (1524mm)	55 5/16" (1405mm)	56 15/16" (1446mm)

# Allgemeine Informationen

## 1.2 Abmessungen (NEFL72/100HI-EU)



	A	B	C	D
NEFL72HI-EU	72" (1829mm)	66 7/8" (1697mm)	68 7/16" (1738mm)	19 5/8" (499mm)
NEFL100HI-EU	100" (2540mm)	94 15/16" (2411mm)	96 7/16" (2450mm)	29" (736mm)

## 1.3 Typenschildinformationen

Die folgende Abbildung dient nur als Referenz. Genaue Information finden Sie auf dem Typenschild des Geräts.



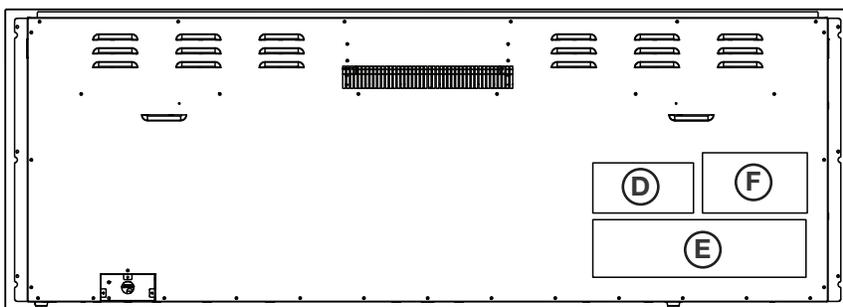
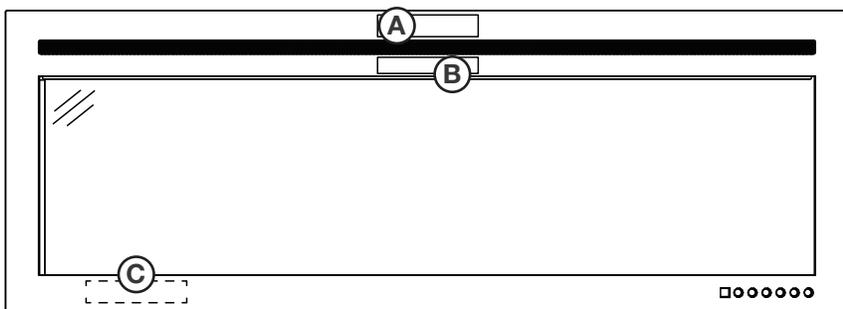
**Hinweis:**

Das Typenschild muss stets am Gerät verbleiben. Es darf unter keinen Umständen entfernt werden.

## 1.4 Etikettposition

**Hinweis:**

Nur zur Veranschaulichung. Das Etikett kann sich an unterschiedlichen Stellen befinden.



Ref.	Teile- nummer	Etiketten- beschreibung
A	W385-2210	„Nicht abdecken“
B	W385-2017	„Heiße Ober- fläche“
C	-	Seriennummer *
D	W385-2167	Vorsicht
E	W385-2163	Warnung
F	W385-2389	Typenschild (NEFL42/50/60 /72/100HI-EU)

\* Hinter Glas auf einer Metalloberfläche angebracht.

# Allgemeine Informationen

DE

## 1.5 Zulassungen

Dieses Gerät wurde entsprechend den GS-Standards für feste und standortgebundene Elektrogeräte in Europa getestet. Falls Sie Hilfe beim Aufbau benötigen, wenden Sie sich bitte an Ihren Händler vor Ort.

Modell	NEFL42HI-EU	NEFL50HI-EU	NEFL60HI-EU	NEFL72HI-EU	NEFL100HI-EU
Beschreibung	Elektronisches Gerät				
Typ	3-Wege-Montagevorrichtung: Wandmontage, Einbau in die Wand und Montage mit Kaminumfassung				
Spannung	220–240 V AC				
Watt	MAX 1600 W				
Ampere	Eigener geerdeter Schaltkreis mit 15 A				
Breite des Geräts	1067 mm (42")	1270 mm (50")	1524 mm (60")	1828 mm (72")	2540 mm (100")
Höhe des Geräts	544 mm (21 7/16")				
Tiefe des Geräts	140 mm (5 1/2")				
Nettogewicht	19 kg (42 lbs)	24 kg (53 lbs)	27,4 kg (60,4 lbs)	38 kg (84 lbs)	55 kg (121 lbs)
Bruttogewicht	24 kg (53 lbs)	28 kg (61,7 lbs)	36,7 kg (81 lbs)	43 kg (95 lbs)	61 kg (135 lbs)

## 1.6 Allgemeine Anweisungen

### **WARNUNG**

- Lesen Sie diese Anweisungen vollständig, bevor Sie mit der Installation beginnen. Werden die Anweisungen nicht befolgt, kann dies zu einer Fehlfunktion des Geräts führen, die schwere Verletzungen und/oder Beschädigung von Eigentum verursachen kann.
- Alle Elektrogeräte besitzen im Innern heiße und funkenbildende Teile. Verwenden Sie sie nicht in Bereichen, in denen es Gasleitungen, Farbe oder brennbare Flüssigkeiten gibt.
- Dieses Elektrogerät wurde ausschließlich für die Verwendung mit dem in diesen Anweisungen aufgeführten optionalen Zubehör geprüft und gelistet. Die Verwendung von optionalem Zubehör, das nicht speziell für dieses elektrische Gerät getestet wurde, kann zum Erlöschen der Garantie bzw. zu einem Sicherheitsrisiko führen.
- Nicht öffnen. Risiko eines Stromschlags. Im Innern befinden sich keine durch den Benutzer zu wartenden Teile.
- Verwenden Sie keine beschädigten elektrischen Kabel.
- Während der Wartung muss das Gerät von der Stromversorgung getrennt sein.
- Schließen Sie zur Vermeidung von Stromschlägen den breiten Steckerkontakt vollständig in den breiten Schlitz der Steckdose ein.

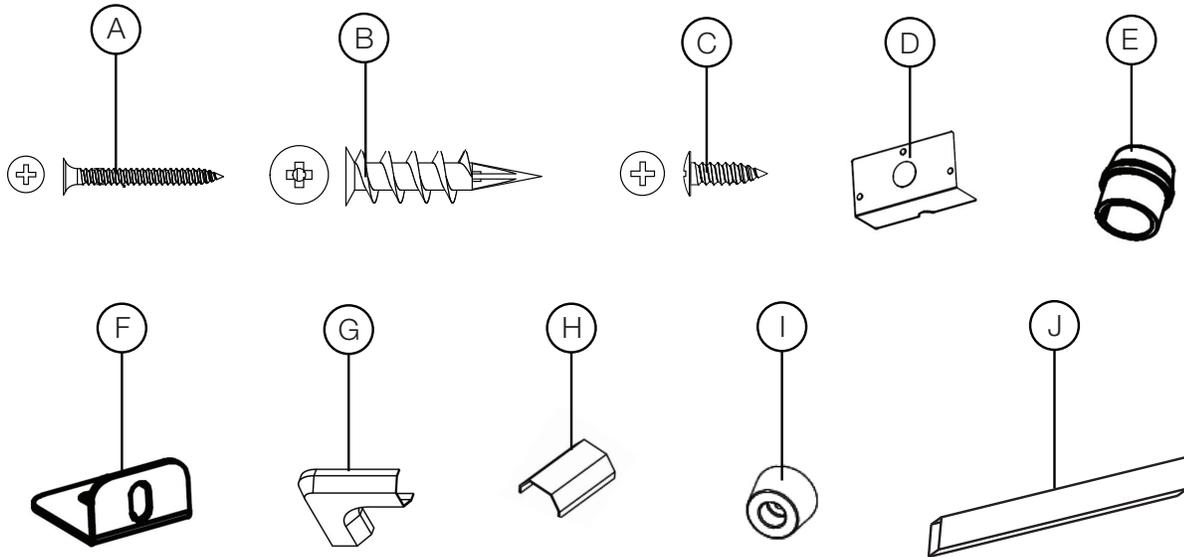
- Bevor Sie Ihr Gerät an eine Steckdose anschließen, vergewissern Sie sich, dass die Sicherungsschalter des Hauses für die Steckdose eingeschaltet sind.
- Das Gerät kann bei der ersten Verwendung einen leichten, jedoch harmlosen Geruch abgeben. Dieser Geruch ist normal und wird durch die erstmalige Erwärmung der innenliegenden Geräteelemente verursacht; anschließend tritt er nicht wieder auf.
- Wenn Ihr Gerät bei Bedarf keine Wärme abgibt, lesen Sie für weitere Informationen den Abschnitt "Betrieb" in diesem Handbuch.
- Verlegen Sie das Netzkabel nicht direkt unter dem Gerät.

**Wie die meisten elektronischen Geräte ist Ihr neues Elektrogerät für den Betrieb bei Temperaturen zwischen 5° C (41° F) und 35° C (95° F) ausgelegt. Lassen Sie das Geräte in den kälteren Wintermonaten erst Raumtemperatur erreichen, bevor Sie es einschalten.**

## 1.7 Auspacken und Testen des Geräts

Nehmen Sie das Gerät vorsichtig aus dem Karton und entfernen Sie die Halteklammern. Entfernen Sie vor der Installation des Geräts sämtliche Verpackungsmaterialien und testen Sie, ob das Gerät ordnungsgemäß funktioniert. Stecken Sie dafür das Netzkabel in eine geeignete, geerdete Steckdose mit 220 bis 240 Volt und 10 Ampere minimum.

## 1.8 Liste der Montageteile



Ref.	Beschreibung	Anzahl				
		NEFL42HI-EU	NEFL50HI-EU	NEFL60HI-EU	NEFL72HI-EU	NEFL100HI-EU
A	Holzschrauben		6			12
B	Trockenwanddübel		6			12
C	Metallschrauben			8		
D	Abdeckplatte			1		
E	Zugentlastung			1		
F	Metallwinkel			4		
G	Kabel Winkel			2		
H	Kabel Abdeckung			2		
I	Gummifuß		4			6
J	Lange Schnurabdeckung			2		

## 2.0 Aufstellen des Geräts

DE

### **WARNUNG**

- Aufgrund der hohen Temperaturen ist das Elektrogerät außerhalb von stark frequentierten Bereichen zu platzieren. Halten Sie brennbare Materialien wie Möbel, Kissen, Bettzeug, Papiere, Kleidung, Vorhänge und ähnliche Gegenstände mindestens 91,4 cm (36") von der Vorderseite des Geräts entfernt.
- Positionieren Sie das Elektrogerät nicht so, dass es in eine Badewanne oder einen Wasserbehälter fallen könnte.
- Tragen Sie zum Schutz während der Installation und Wartung Schutzhandschuhe und Schutzbrille.
- Um den Kontakt mit durchhängender oder loser Isolierung zu verhindern, darf das Elektrogerät nicht vor einer Dampfsperre oder einer exponierten Isolierung installiert werden. Es könnte zu einer lokalen Überhitzung kommen, die einen Brand verursachen könnte.
- Setzen Sie das elektrische Gerät nicht den Elementen (Regen usw.) aus.

## ! WARNUNG

- Brandgefahr! Das Netzkabel darf nicht an einer scharfen Kante gequetscht werden. Sichern Sie das Kabel, um Stolpern oder Hängenbleiben zu vermeiden und so das Risiko von Brand, Stromschlag oder Verletzungen zu verringern. Verlegen Sie das Kabel nicht unter Teppichboden. Decken Sie das Kabel nicht mit kleinen Teppichen, Läufern oder ähnlichen Gegenständen ab. Verlegen Sie das Kabel abseits von Verkehrsflächen und dort, wo keine Stolpergefahr besteht.
- Brandgefahr! Zur Reduzierung der Brandgefahr darf der Lufterin- und -auslass in keiner Weise blockiert werden. Nicht auf weichen Oberflächen verwenden, auf denen Öffnungen blockiert werden können.
- Brandgefahr! Keine Isolierung gegen das Gerät blasen oder auf diesem platzieren.
- Dieses Elektrogerät wurde ausschließlich für die Verwendung mit dem zugelassenen optionalen Zubehör geprüft und gelistet. Die Verwendung von optionalem Zubehör, das nicht speziell für dieses elektrische Gerät getestet wurde, kann zum Erlöschen der Garantie bzw. zu einem Sicherheitsrisiko führen.
- Wenn die Informationen in diesen Anweisungen nicht genau befolgt werden, kann es zu einem Brand oder einer Explosion kommen, die Sachschäden, Personenschäden oder den Tod zur Folge haben kann. Lagern oder verwenden Sie kein Benzin oder andere entzündliche Gase in der Nähe dieses oder eines anderen Geräts.
- Dieses Gerät ist schwer. Es wird ausdrücklich empfohlen, dass die Installation dieses Geräts von zwei Personen durchgeführt wird.
- Wenn Ihr Gerät mit einer Heizung ausgestattet ist, stellen Sie sicher, dass die Lüftungsöffnungen des Heizers in keiner Weise abgedeckt werden können, da dies eine Brandgefahr darstellen kann.
- Verlegen Sie das Netzkabel nicht waagrecht direkt unter dem Gerät.

Ihr NEFL42/50/60/72/100HI-EU ist ein Gerät für die Wandmontage, den Einbau in die Wand bzw. den Einbau in eine Kaminumfassung. Wählen Sie einen geeigneten Standort aus, der nicht anfällig für Feuchtigkeit ist und sich nicht in der Nähe von Vorhängen, Möbeln und stark frequentierten Bereichen befindet.

### Hinweis:

Halten Sie sich an alle nationalen und lokalen Vorschriften für elektrische Geräte.

## 3.1 Mindestabstand zu brennbaren Materialien

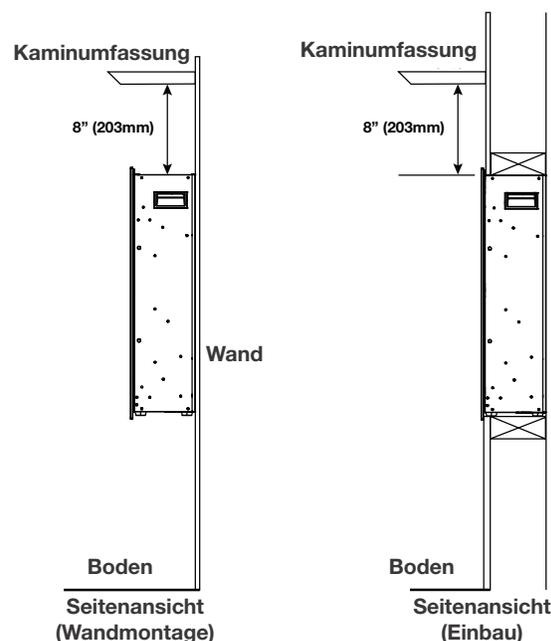
## ! WARNUNG

- Sollten Sie die Kaminumfassung mit Farbe oder Lack behandeln, müssen diese hitzebeständig sein, um Verfärbungen zu vermeiden.

### Hinweis:

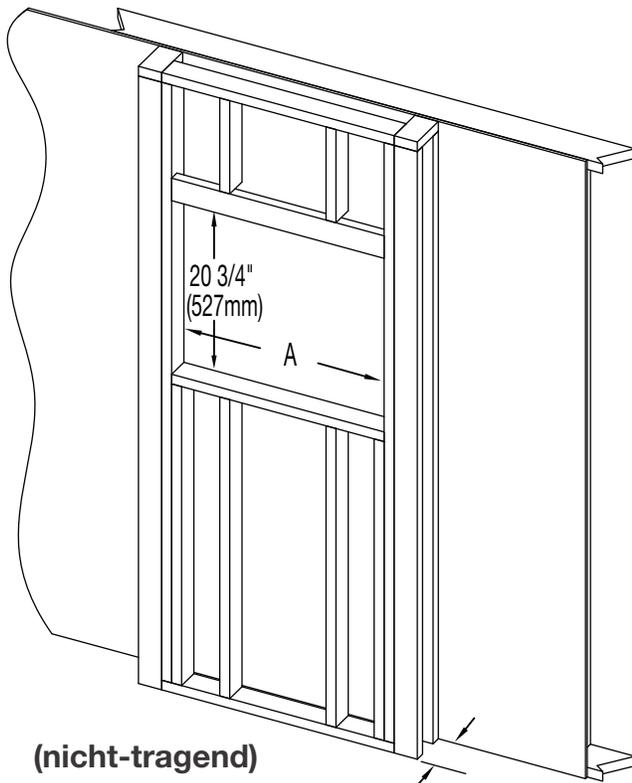
Der Netzschalter befindet sich oben an der linken Seite des Geräts. Stellen Sie sicher, dass dieser Schalter immer zugänglich ist.

Die Messungen wurden von der Glasfront aus vorgenommen.	
Unterseite	0"
Seiten	
Rückseite	
Oberseite	203 mm (8") zur Decke
	203 mm (8") zur Kaminumfassung



# Installation

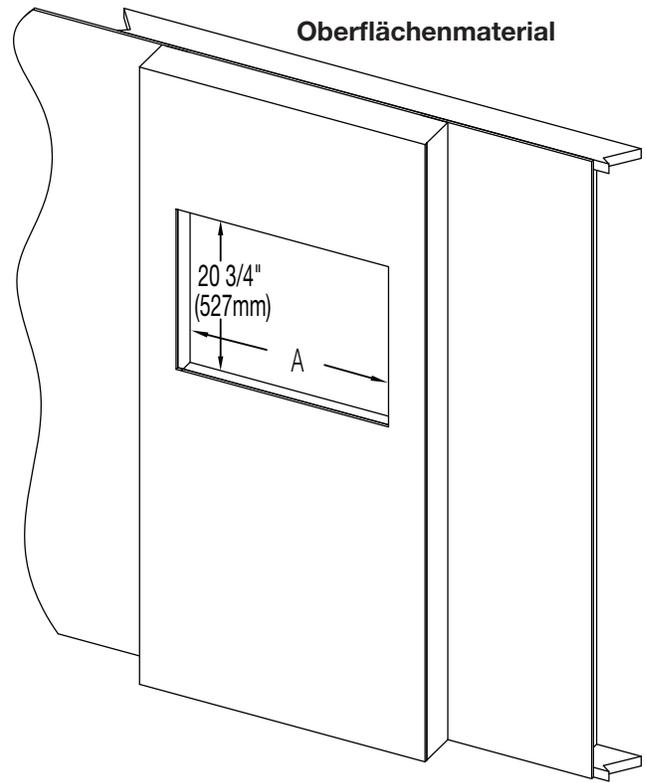
## DE 3.2 Einrahmung



(nicht-tragend)

$3\frac{1}{2}''$  (89mm) MIN

$5''$  (127mm) MAX



Oberflächenmaterial

MODELL-NR.	A
NEFL42HI-EU	1002 mm (39 1/2")
NEFL50HI-EU	1205 mm (47 1/2")
NEFL60HI-EU	1459 mm (57 1/2")
NEFL72HI-EU	1752 mm (69")
NEFL100HI-EU	2463 mm (97")

## 3.3 Wandmontage

Da Wände viele verschiedene Oberflächenmaterialien aufweisen können, sollten Sie Ihr Bauunternehmen vor Ort fragen, bevor Sie das Gerät in die Wand einbauen.

- A. Wählen Sie einen Standort aus, der nicht anfällig für Feuchtigkeit ist und sich in einem Abstand von mindestens 91,4 cm (36") zu brennbaren Materialien wie Vorhängen, Möbeln, Bettwäsche, Papier usw. befindet.
- B. Nehmen Sie die Glasscheibe ab (siehe Abschnitt „Abnehmen/Anbringen der Glasscheibe“).
- C. Lassen Sie das Gerät von zwei Personen an die Wand halten, um die genaue Positionierung zu bestimmen.
- D. Legen Sie das Gerät mit der Vorderseite auf eine weiche, nicht scheuernde Oberfläche. Nehmen Sie die Halterung auf der Rückseite des Geräts ab, indem Sie die Schrauben entfernen (**Abb. 3-1**). Legen Sie die Halterung beiseite und entsorgen Sie die Schrauben.

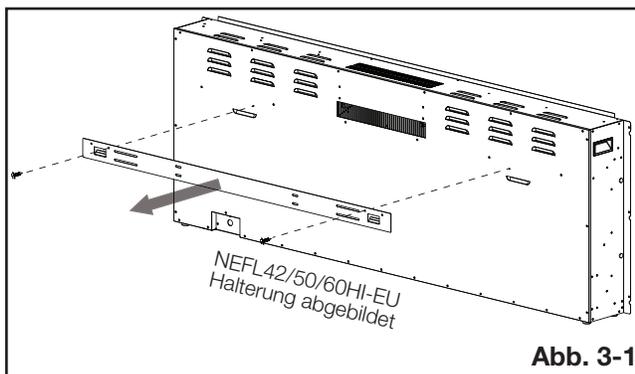


Abb. 3-1

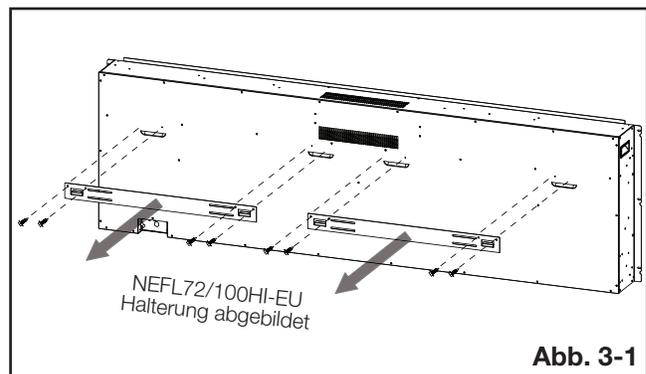


Abb. 3-1

- E. Markieren Sie die Position an der Wand, und befestigen Sie dann die Halterung mit den mitgelieferten Schrauben an der Wand. Die Haken der Halterung MÜSSEN nach oben zeigen, und die Halterung muss waagrecht sein (**Abb. 3-2**).

⊕		<b>A x 6 für NEFL42/50/60HI-EU</b>	<b>A x 12 für NEFL72/100HI-EU</b>
⊕		<b>B x 6 für NEFL42/50/60HI-EU</b>	<b>B x 12 für NEFL72/100HI-EU</b>

### Hinweis:

Es wird dringend empfohlen die Befestigungshalterung wenn möglich in die Wandpfosten zu schrauben. Sollte dies nicht möglich sein, verwenden Sie die mitgelieferten Kunststoffdübel, um die Halterung an der Wand zu befestigen, und vergewissern Sie sich, dass sie ausreichend gesichert ist.

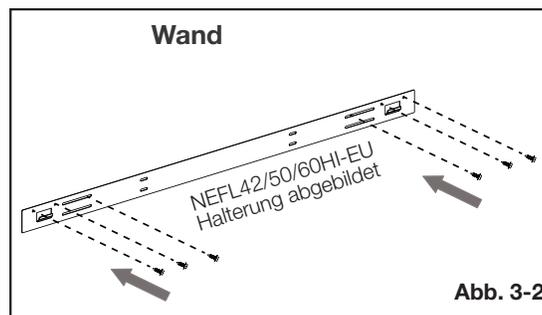


Abb. 3-2

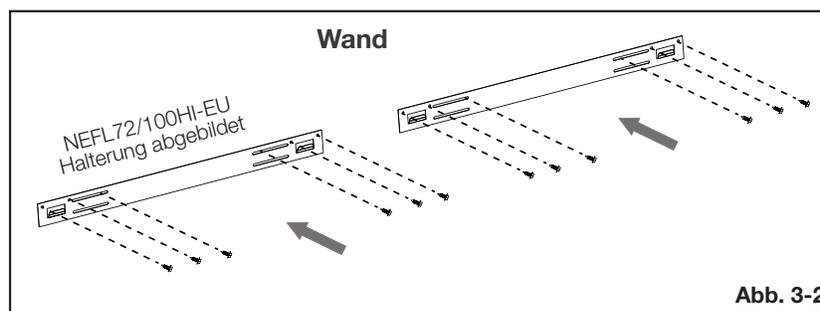
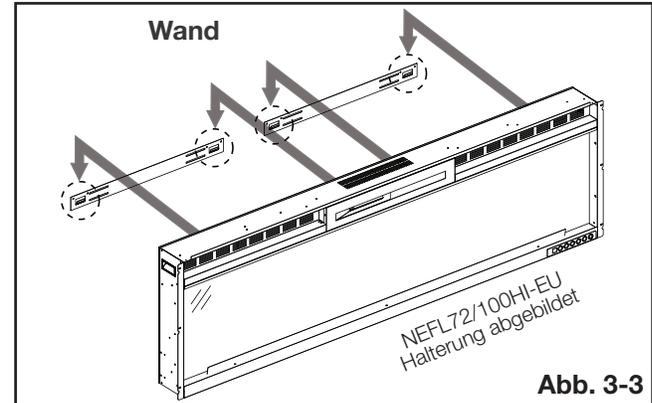
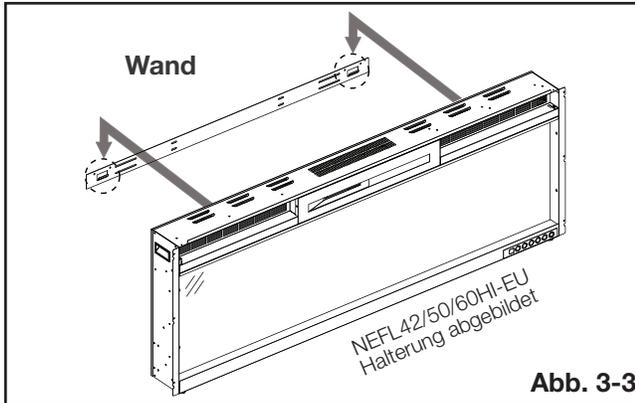


Abb. 3-2

# Installation

DE

- F. Nachdem die Wandhalterung montiert wurde, lassen Sie das Gerät von zwei Personen anheben, und führen Sie die Haken an der Halterung in die Aussparungen auf der Rückseite des Geräts ein (**Abb. 3-3**).



- G. Stellen Sie sicher, dass das Gerät ordnungsgemäß angebracht wurde und die Halterung sich nicht aus der Wand lösen kann.
- H. Installieren Sie das Gerät (siehe Abschnitt „Installation der Kristallglut-Elemente“). **Sie müssen diesen Schritt abschließen, bevor Sie mit dem nächsten Schritt fortfahren.**
- I. Bringen Sie die Glasscheibe wieder an.

## 3.4 Voreinbau

Da Wände viele verschiedene Oberflächenmaterialien aufweisen können, sollten Sie Ihr Bauunternehmen vor Ort fragen, bevor Sie das Gerät in die Wand einbauen.

### Hinweis:

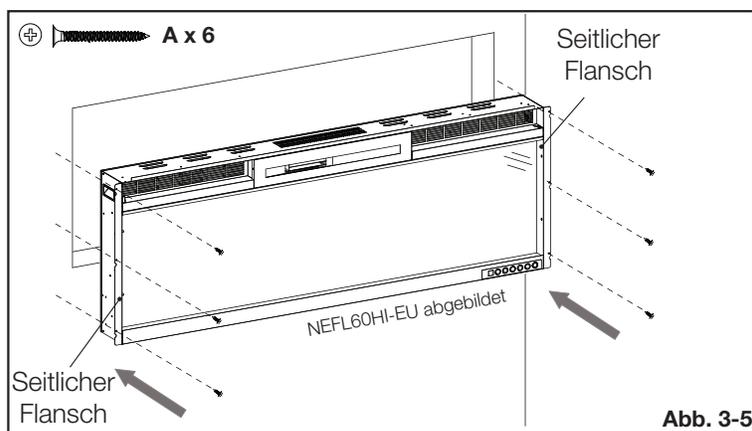
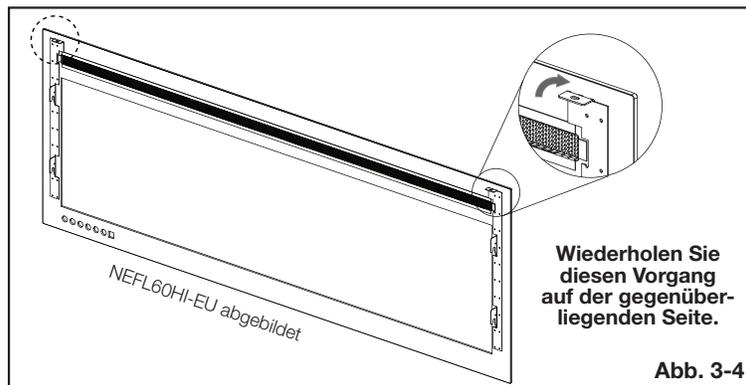
Es wird empfohlen, die Wände des Gerätegehäuses mit einer Oberflächenvergütung zu versehen (d. h. Trockenwand), damit exponierte Isolierungen oder Dampfsperren nicht in Kontakt mit dem Gerät kommen können. Dadurch wird sichergestellt, dass der erforderliche Abstand zu brennbaren Materialien eingehalten wird.

Die Laschen des Geräts werden gebogen geliefert. Die Laschen müssen von Hand flachgebogen werden, wenn das Gerät ganz in die Wand eingebaut wird (siehe Abschnitt „-Vollständiger Einbau“).

- A. Wählen Sie einen Standort aus, der nicht anfällig für Feuchtigkeit ist und sich in einem Abstand von mindestens 91,4 cm (36") zu brennbaren Materialien wie Vorhängen, Möbeln, Bettwäsche, Papier usw. befindet.
- B. Messen Sie das Gerät, und richten Sie es entsprechend den elektrischen Anschlüssen aus (siehe Abschnitt „Einrahmung“).
- C. Nehmen Sie die Glasscheibe ab (siehe Abschnitt „Abnehmen/Anbringen der Glasscheibe“).
- D. Halten Sie das Gerät hoch, um sicherzustellen, dass es an die gewünschte Stelle passt.

### 3.4.1 Vollständiger Einbau

- A. Biegen Sie die zwei oberen Laschen an der Glasscheibe nach oben, bis sie flach sind (**Abb. 3-4**). Stellen Sie die Glasscheibe beiseite.
- B. Entfernen Sie das Stromkabel und schließen Sie die Festverdrahtung ab (siehe Abschnitt „Installation der Festverdrahtung“).
- C. Setzen Sie das Gerät ein und befestigen Sie es mit den sechs mitgelieferten Schrauben durch die seitlichen Flansche (**Abb. 3-5**).
- D. Installieren Sie das Gerät (siehe Abschnitt „Installation der Kristallglut-Elemente“). **Sie müssen diesen Schritt abschließen, bevor Sie mit dem nächsten Schritt fortfahren.**
- E. Bringen Sie die Glasscheibe wieder an.



# Installation

DE

## 3.4.2 Teilweiser Einbau

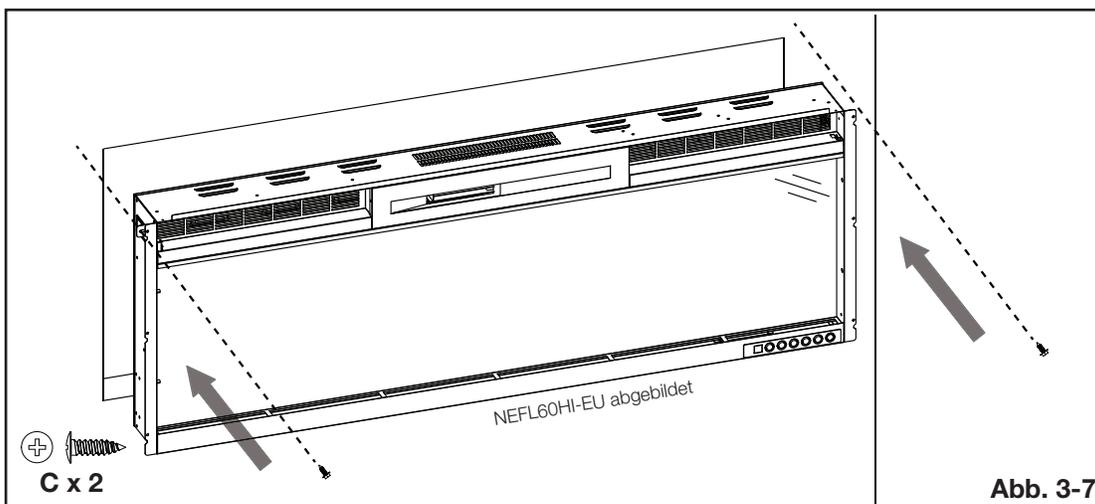
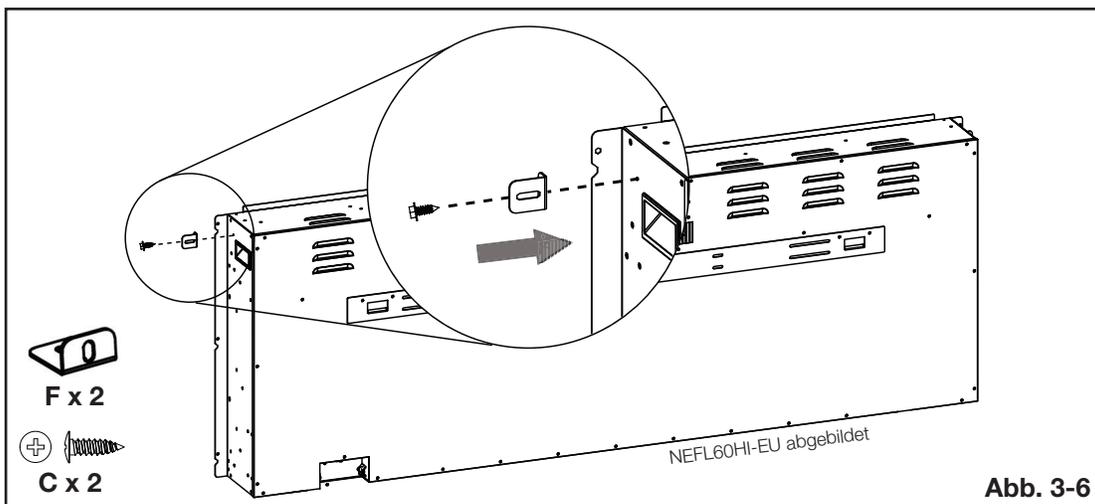
- A. Bringen Sie zwei mitgelieferte Metallhalterungen (eine pro Seite) an der Oberseite des Geräts an (**Abb. 3-6**).

### Hinweis:

Das Gerät wird mit zwei Schrauben geliefert, die bereits an den Positionen der Halterungen angebracht sind. Entfernen Sie diese Schrauben, verwenden Sie sie zur Befestigung der Metallhalterungen am Gerät und schrauben Sie die Halterungen dann an die Wand.

Das Gerät wird mit zwei bereits angebrachten Metallhalterungen geliefert. Sie können diese Halterungen bei der Installation verwenden oder sie entsorgen und die vier neuen Halterungen aus dem Montagekit verwenden.

- B. Entfernen Sie das Stromkabel und schließen Sie die Festverdrahtung ab (siehe Abschnitt „Installation der Festverdrahtung“).
- C. Setzen Sie das Gerät soweit wie möglich/gewünscht ein und befestigen Sie es mit zwei mitgelieferten Schrauben durch die Metallhalterungen (**Abb. 3-7**).
- D. Installieren Sie das Gerät (siehe Abschnitt „Installation der Kristallglut-Elemente“). **Sie müssen diesen Schritt abschließen, bevor Sie mit dem nächsten Schritt fortfahren.**
- E. Bringen Sie die Glasscheibe wieder an.



## 4.1 Installation der Festverdrahtung

### ! WARNUNG

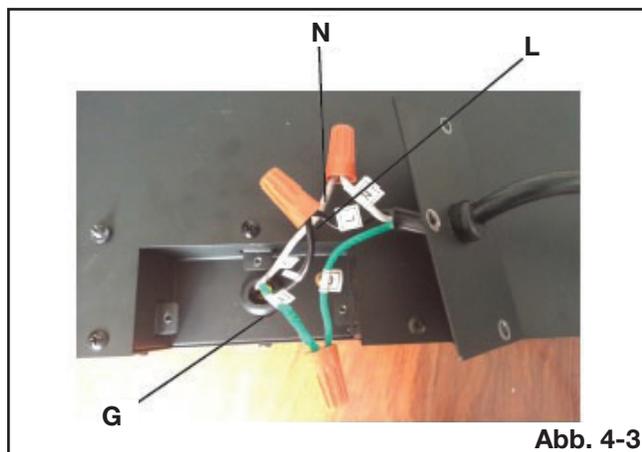
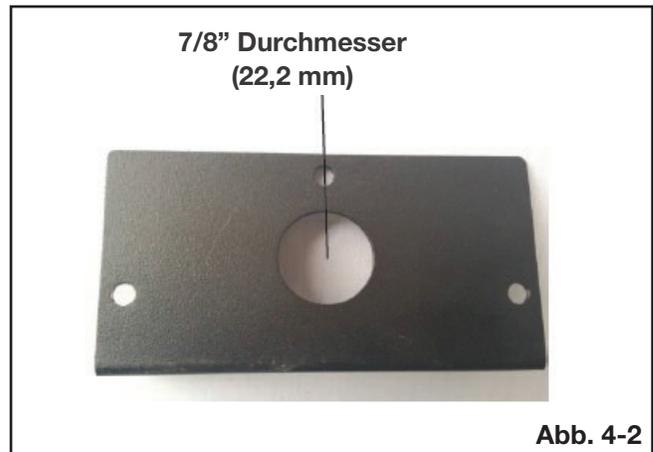
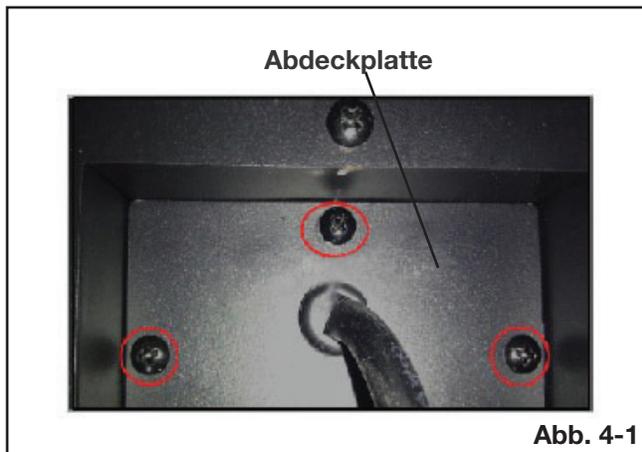
- Schalten Sie das Gerät vollständig aus, und lassen Sie es abkühlen, bevor es gewartet wird. Das Elektrogerät darf nur von qualifiziertem Servicepersonal gewartet und repariert werden.

#### Anschluss der Festverdrahtung

Sollte es notwendig sein, das Gerät festzuverdrahten, muss ein qualifizierter Elektriker den Kabelanschluss entfernen und das Gerät direkt mit der Hausinstallation verbinden.

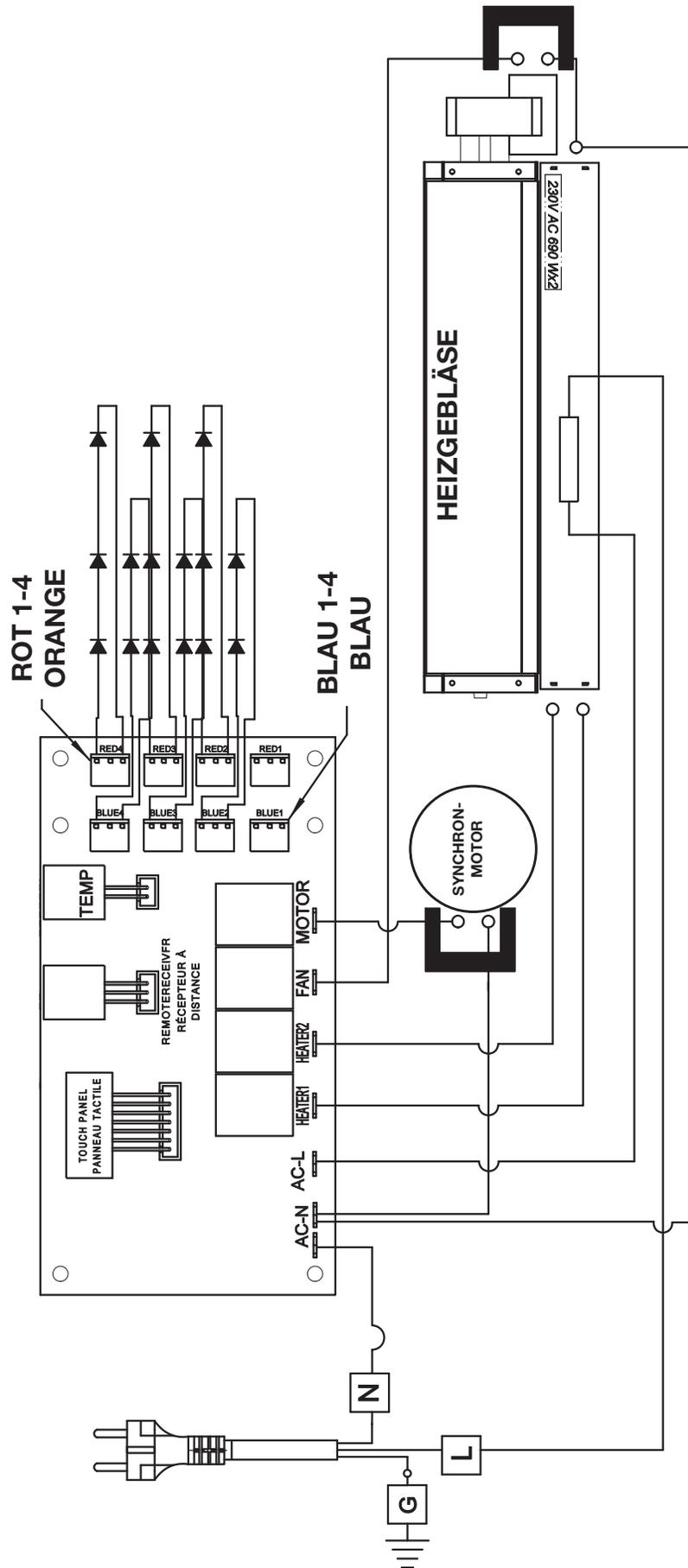
Das Gerät muss entsprechend den lokalen Vorschriften angeschlossen und geerdet werden.

- Entfernen Sie die Abdeckplatte auf der rechten Seite der Unterseite des Geräts, indem Sie die 3 Schrauben entfernen (**Abb. 4-1**).
- Entfernen Sie die Kabelverbinder vom Netzkabel. Das Netzkabel kann entsorgt werden.
- Stanzen Sie die 22,2-mm-Bohrung (7/8") in der neuen mitgelieferten Abdeckplatte aus (**Abb. 4-2**) und führen Sie einen Box-Stecker durch den Anschlusskasten. Befestigen Sie die Box-Steckerklemme an den Versorgungskabeln.
- Schließen Sie mit den im Montage-Kit enthaltenen Kabelverbindern die grünen Schutzleiter (G), die normalen weißen Kabel (N) und die schwarzen Heizdrähte (L) an (**Abb. 4-3 und 4-4**).
- Bringen Sie die Abdeckplatte mit den 3 in Schritt 1 entfernten Schrauben wieder an.

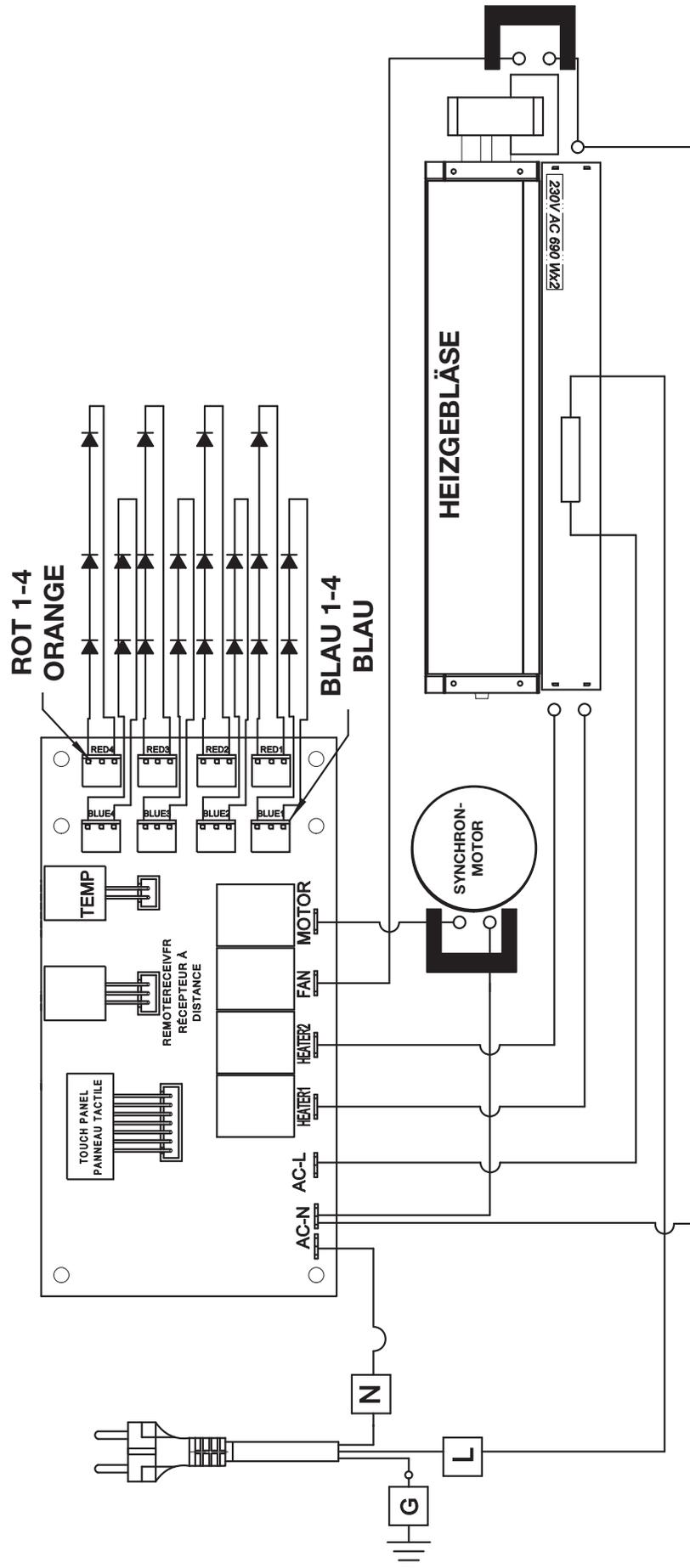


# Elektrische Informationen

## DE 4.2 Anschlussplan (NEFL42HI-EU)



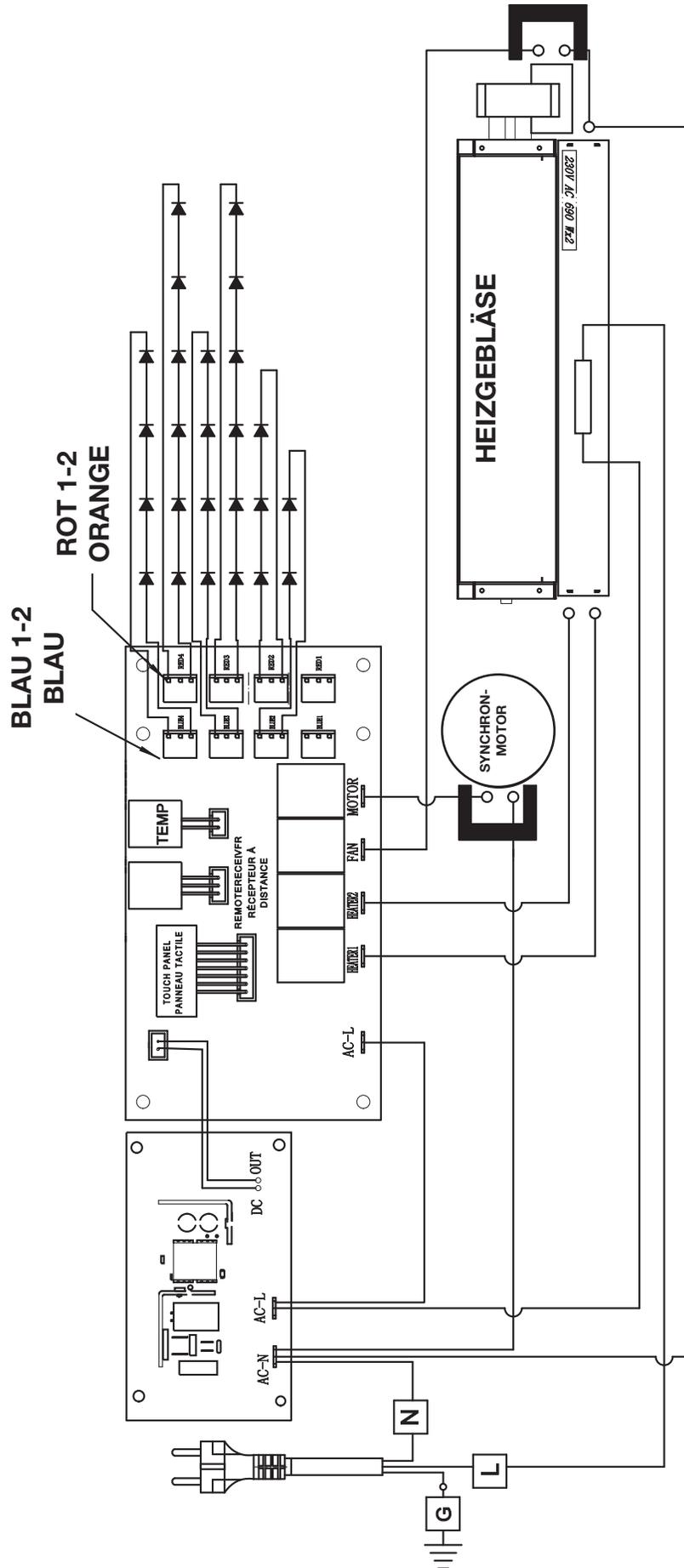
4.3 Anschlussplan (NEFL50/60HI-EU)



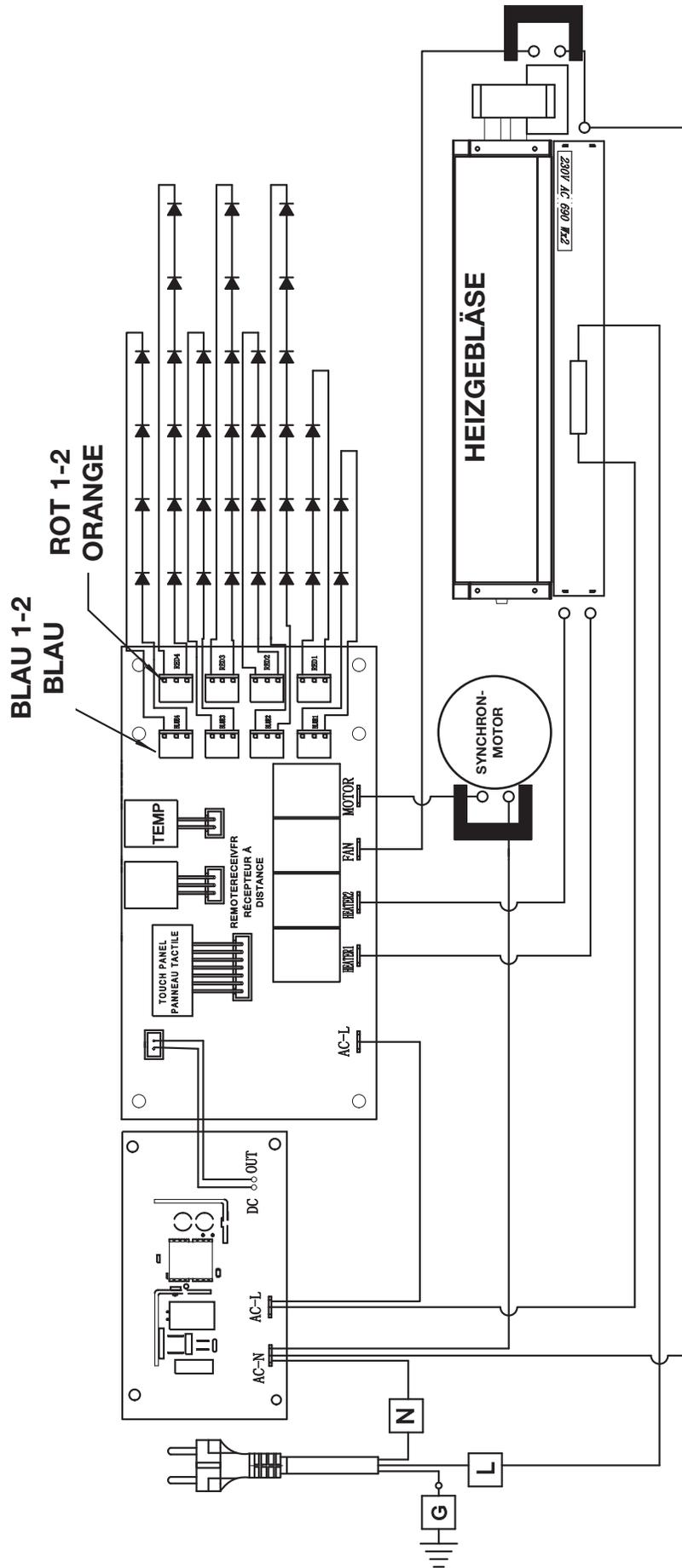
# Elektrische Informationen

DE

## 4.4 Anschlussplan (NEFL72HI-EU)



4.5 Anschlussplan (NEFL100HI-EU)



## 5.0 Abschließende Schritte

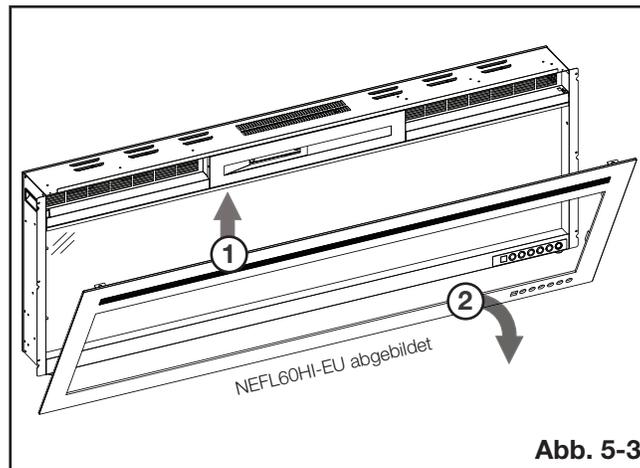
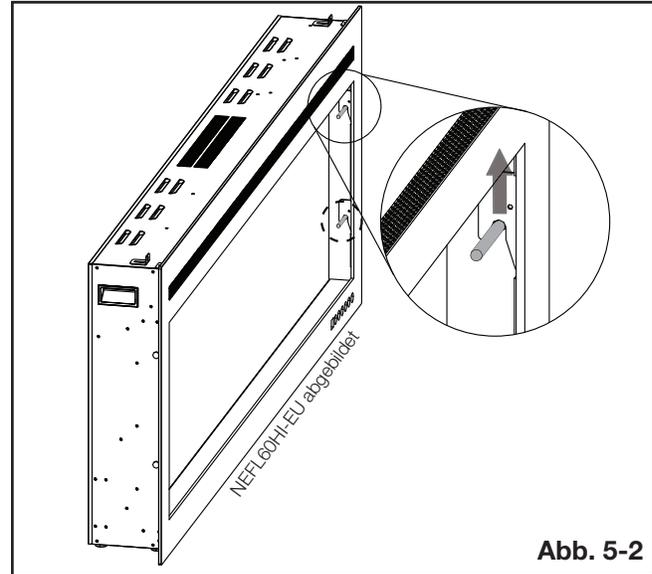
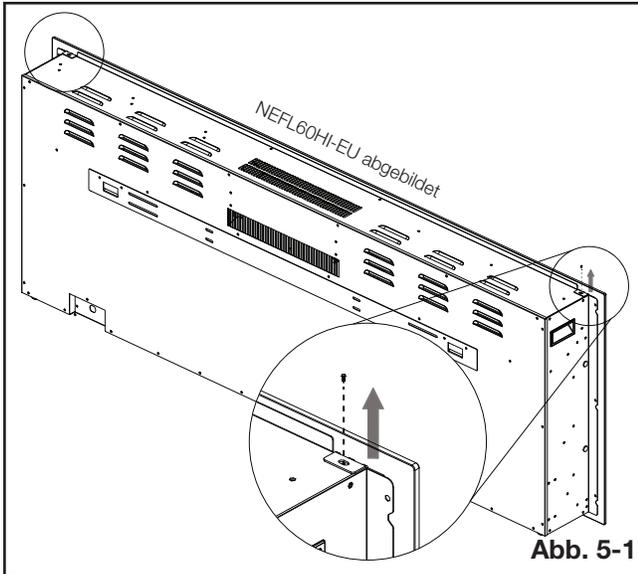
DE

### **WARNUNG**

- Die Stromversorgung muss fertiggestellt werden, bevor die letzten Teile montiert werden, um ein erneutes Auseinanderbauen zu vermeiden.
- Wärmeabzüge und Luftöffnungen dürfen in keinem Fall verdeckt werden.

### 5.1 Abnehmen/Anbringen der Glasscheibe

- Halten Sie die Glasscheibe mit einer Hand fest, damit sie nicht umfallen kann, und entfernen Sie die zwei Schrauben (eine pro Seite) an der Oberseite des Geräts (**Abb. 5-1**). Legen Sie die Schrauben beiseite.
- Heben Sie die Glasscheibe vorsichtig nach oben und weg vom Gerät (**Abb. 5-2 und 5-3**). Legen Sie sie mit der Vorderseite auf eine weiche, nicht scheuernde Oberfläche.
- Führen Sie diese Schritte zum Anbringen der Glasscheibe in umgekehrter Reihenfolge aus.



### 5.2 Installation der Kristallgut-Elemente

Die Glaseinfassung muss abgenommen und das Gerät muss an der vorgesehenen Stelle aufgebaut werden, bevor die Kristallgut installiert wird.

- Reinigen Sie die Kristallgut-Elemente mit einem milden Spülmittel. Spülen Sie die Kristallgut-Elemente ab und trocknen Sie sie, bevor Sie sie in die Schale einlegen.
- Legen Sie die Kristallgut-Elemente wie abgebildet vorsichtig in die untere Schale an der Vorderseite des Geräts. Verteilen Sie sie gleichmäßig.
- Bringen Sie die Glasscheibe wieder an.



Sobald das Gerät an eine geerdete Steckdose angeschlossen oder mit einer eigenen Stromversorgung von 220 bis 240 V festverdrahtet ist, ist es einsatzbereit.

### Hinweis:

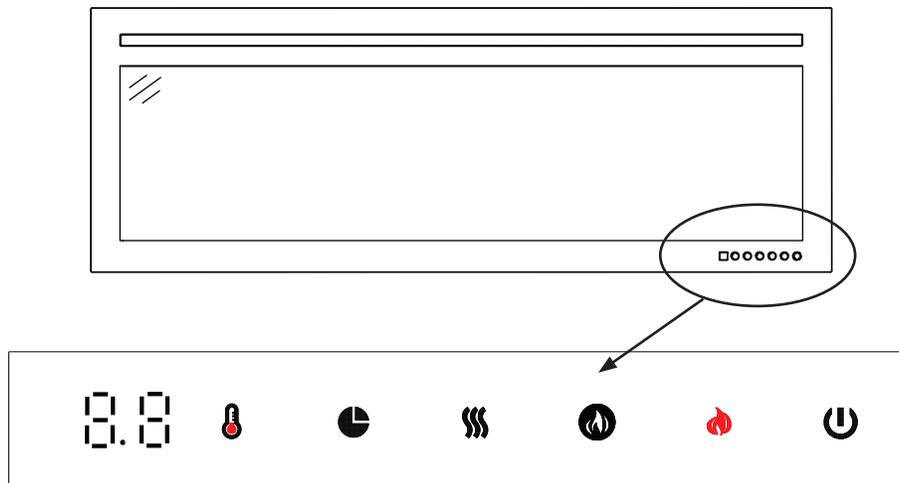
Vergewissern Sie sich, dass die Sicherungsschalter des Hauses für die Stromversorgung eingeschaltet sind. Im Falle eines Stromausfalls verliert das Gerät seine Speicherfunktion und schaltet bei Wiederherstellung der Stromversorgung auf den Werksmodus zurück.

## 6.1 Bedienen des Touch-Displays

### ! WARNUNG

- Bewegen oder entfernen Sie die Glasscheibe nicht, wenn das Gerät eingesteckt und in Betrieb ist. Dies führt zu einer Fehlfunktion der Fernbedienung und des Touch-Panels.

Das Touch-Display-Panel wird über LEDs in der rechten unteren Ecke des Geräts angezeigt. Nach 3 Sekunden ohne Funktionswechsel verschwinden die LEDs. Der Hauptnetzschalter hört auf zu leuchten.



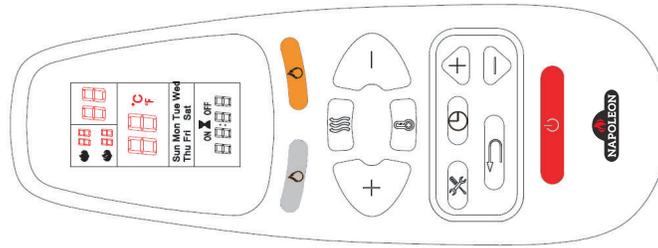
Bedienleiste

# Betriebsanweisungen

DE

<p><b>Netzschalter</b></p>		<p>Dient zum Ein- und Ausschalten des Geräts.</p>																																					
<p><b>Orange Flamme</b></p>		<p>Regelt die Helligkeit der orangefarbenen Flamme.</p> <p><b>5 Einstellungen:</b>            F4 – Maximale Helligkeit            F3            F2            F1            F0 – Minimale Helligkeit</p> <p style="text-align: center;">↓</p>																																					
<p><b>Weißer Flamme</b></p>		<p>Regelt die Helligkeit der weißen Flamme.</p> <p><b>5 Einstellungen:</b>            F4 – Maximale Helligkeit            F3            F2            F1            F0 – Minimale Helligkeit</p> <p style="text-align: center;">↓</p>																																					
<p><b>Heizer</b></p>		<p>Regelt den Heizer. Drücken Sie die Taste zum Starten.</p> <p><b>4 Einstellungen:</b>            H0 – Kein Heizer und kein Gebläse            bL – Nur Gebläse            H1 – Heizer gibt warme Luft ab (750 W)            H2 – Heizer gibt heiße Luft ab (1500 W)</p> <p><b>HINWEIS:</b> Funktion des Heizers kann auf H0, bL, H1 oder H2 eingestellt werden. Halten Sie die Heizertaste für fünf Sekunden gedrückt, um die ausgewählte Einstellung für Heizer und Temperatur zu bestätigen. Halten Sie die Taste erneut für fünf Sekunden gedrückt, um die Einstellung aufzuheben.</p>																																					
<p><b>Zeituhr</b></p>		<p>Regelt die Zeituhr. Drücken Sie die Taste, bis die gewünschte Einstellung erreicht ist.</p> <p><b>9 Einstellungen:</b> 30, 1H, 2H, 3H, 4H, 5H, 6H, 7H, 8H</p>																																					
<p><b>Temperatur</b></p>		<p>Regelt die Temperatur.</p> <p>1. Drücken Sie die Taste einmal, um die Anzeige des Touch-Panels zu aktivieren.            2. Drücken Sie die Taste erneut, bis die gewünschte Einstellung erreicht ist. Das digitale Display zeigt die Einstellungskreise wie unten aufgeführt an:</p> <table border="1" data-bbox="626 1717 1328 1833"> <thead> <tr> <th>Anzeigewert</th> <th>0</th> <th>1</th> <th>2</th> <th>3</th> <th>4</th> <th>5</th> <th>6</th> <th>7</th> <th>8</th> <th>9</th> <th>N</th> </tr> </thead> <tbody> <tr> <td rowspan="2">Temperatur</td> <td>°C</td> <td>18</td> <td>19</td> <td>20</td> <td>21</td> <td>22</td> <td>23</td> <td>24</td> <td>25</td> <td>26</td> <td>27</td> <td>EIN</td> </tr> <tr> <td>°F</td> <td>64</td> <td>66</td> <td>68</td> <td>70</td> <td>72</td> <td>74</td> <td>76</td> <td>78</td> <td>80</td> <td>82</td> <td>EIN</td> </tr> </tbody> </table> <p><b>HINWEIS:</b> Halten Sie die Taste für fünf Sekunden gedrückt, um von °C zu °F und umgekehrt zu wechseln.</p>	Anzeigewert	0	1	2	3	4	5	6	7	8	9	N	Temperatur	°C	18	19	20	21	22	23	24	25	26	27	EIN	°F	64	66	68	70	72	74	76	78	80	82	EIN
Anzeigewert	0	1	2	3	4	5	6	7	8	9	N																												
Temperatur	°C	18	19	20	21	22	23	24	25	26	27	EIN																											
	°F	64	66	68	70	72	74	76	78	80	82	EIN																											

## 6.2 Bedienen der Fernbedienung



<b>NETZSCHALTER</b>		Schaltet das Gerät EIN/AUS.																																				
<b>FLAMME – ORANGE</b>		Regelt die Helligkeit der orangefarbenen Flamme. <b>6 Einstellungen:</b> F5-F4-F3-F2-F1-F0. Die Helligkeit der Flamme reicht von F5 bis F1. F5 ist dabei die hellste Einstellung, bei F0 ist die Flamme aus.																																				
<b>FLAMME - WEIßE</b>		Regelt die Helligkeit der weißen Flamme. <b>6 Einstellungen:</b> F5-F4-F3-F2-F1-F0. Die Helligkeit der Flamme reicht von F5 bis F1. F5 ist dabei die hellste Einstellung, bei F0 ist die Flamme aus.																																				
<b>HEIZSTRAHLER</b>		Schaltet den Heizstrahler EIN/AUS. (H0) – Kein Heizstrahler oder Gebläse (BL) – Nur Gebläse (H1) – Heizstrahler gibt warme Luft ab. (H2) – Heizstrahler gibt heiße Luft ab.  <b>HINWEIS:</b> Funktion des Heizstrahlers kann nacheinander auf H0, BL, H1 oder H2 eingestellt werden. Halten Sie die Heizstrahlertaste für fünf Sekunden gedrückt, um die ausgewählte Einstellung für Heizstrahler und Temperatur zu bestätigen. Halten Sie die Taste erneut für fünf Sekunden gedrückt, um die Einstellung für Heizstrahler und Temperatur aufzuheben.																																				
<b>ZEITUHREINSTELLUNGEN AUF DER FERNBEDIENUNG</b>																																						
: <b>Zeituhr:</b> Zeigt aktuelle Tag-, Uhrzeit- und Wocheneinstellung an. Drücken Sie die Taste, um Zeituhreinstellungen einzugeben oder zu bestätigen.																																						
: <b>Einstellungen:</b> Drücken, um mit dem nächsten Schritt fortzufahren (mit Zeituhrtaste verwenden). Drücken, um Wochenzeituhr zu bestätigen.																																						
: <b>Zurück:</b> Drücken, um Zeituhreinstellungen zu löschen. Drücken, um zum vorherigen Schritt zurückzukehren (mit Einstellungstaste verwenden).																																						
: <b>Nach oben und nach unten</b> (mit Einstellungstaste verwenden).																																						
<b>LCD-Anzeige</b>																																						
<b>Wochentag</b> Mo, Di, Mi, Do, Fr, Sa, So		<b>Hinweis:</b> Die Funktionen können nur geändert werden, wenn die jeweiligen Buchstaben oder Ziffern blinken.																																				
<b>Zeitanzeige</b>																																						
<b>Aktuelle Zeit/Zeituhr</b> Von 00: 00 bis 24 <b>HINWEIS</b> 00-12:00 ist AM / 13:00-24:00 ist PM																																						
<b>TEMPERATUR</b>		<p>1. Drücken Sie die Taste einmal, um die Anzeige des Touch-Panels einzuschalten. 2. Drücken Sie die Taste, bis die gewünschte Einstellung erreicht ist. Das digitale Display zeigt die Einstellungskreise wie folgt an:</p> <table border="1"> <thead> <tr> <th>Anzeigewert</th> <th>0</th> <th>1</th> <th>2</th> <th>3</th> <th>4</th> <th>5</th> <th>6</th> <th>7</th> <th>8</th> <th>9</th> <th>N</th> </tr> </thead> <tbody> <tr> <td>Temperatur °C</td> <td>18</td> <td>19</td> <td>20</td> <td>21</td> <td>22</td> <td>23</td> <td>24</td> <td>25</td> <td>26</td> <td>27</td> <td>ON</td> </tr> <tr> <td>°F</td> <td>64</td> <td>66</td> <td>68</td> <td>70</td> <td>72</td> <td>74</td> <td>76</td> <td>78</td> <td>80</td> <td>82</td> <td>ON</td> </tr> </tbody> </table> <p><b>HINWEIS:</b> Halten Sie die Taste für fünf Sekunden gedrückt, um von °C zu °F und umgekehrt zu wechseln.</p>	Anzeigewert	0	1	2	3	4	5	6	7	8	9	N	Temperatur °C	18	19	20	21	22	23	24	25	26	27	ON	°F	64	66	68	70	72	74	76	78	80	82	ON
Anzeigewert	0	1	2	3	4	5	6	7	8	9	N																											
Temperatur °C	18	19	20	21	22	23	24	25	26	27	ON																											
°F	64	66	68	70	72	74	76	78	80	82	ON																											

# Betriebsanweisungen

DE

## 6.3 Zeiteinstellungen auf der Fernbedienung

### 6.3.1 Einstellen von Datum und Uhrzeit

1. Drücken Sie einmal . Wenn „MON“ (Montag) blinkt, wählen Sie mit  den aktuellen Tag aus.
2. Drücken Sie . Wenn die Stundenziffern blinken, wählen Sie mit  die aktuelle Stundenzahl aus.
3. Drücken Sie erneut . Wenn die Minutenziffern blinken, wählen Sie mit  die aktuelle Minutenzahl aus.
4. Drücken Sie erneut . Die aktuelle Uhrzeit ist jetzt eingestellt.

### 6.3.2 Festlegen der Ein-/Ausschaltzeit und Temperatur in wöchentlichem Rhythmus

1. Drücken Sie . Wenn „MON“ blinkt, drücken Sie 3-mal. Wenn „ON“ blinkt, wählen Sie mit  die gewünschte Stunden- und Minutenzahl aus, zu denen der Heizer eingeschaltet werden soll. Drücken Sie jederzeit , um die  Eingabe zu löschen und den „ON“-Timer zu beenden.

#### Hinweis:

Der Timer kann nur in 30-minütigen Schritten eingestellt werden (d. h. 00:00–00:30, 00:30–01:00 usw.).

2. Drücken Sie . Wenn „OFF“ blinkt, wählen Sie  mit die gewünschte Stunden- und Minutenzahl aus, zu denen der Heizer ausgeschaltet werden soll. Drücken Sie  jederzeit, um die Eingabe zu löschen und den „OFF“-Timer zu beenden.

#### Hinweis:

Wenn bereits eine Temperatur eingestellt wurde, wird diese Einstellung anstatt der „18“ angezeigt.

3. Drücken Sie  erneut. Wenn „18“ blinkt können Sie  mit die gewünschte Temperatur für Montag wählen.
4. Drücken Sie  erneut. Wenn „TUES“ angezeigt wird und „ON“ blinkt, wählen Sie  mit die gewünschte Stunden- und Minutenzahl aus, zu denen der Heizer an Dienstagen eingeschaltet werden soll.
5. Drücken Sie  erneut. Wenn „OFF“ blinkt, wählen Sie mit  die gewünschte Stunden- und Minutenzahl aus, zu denen der Heizer an Dienstagen ausgeschaltet werden soll.
6. Drücken Sie  erneut. Wenn „18“ blinkt, können Sie mit  die gewünschte Temperatur für Dienstag wählen.
7. Wiederholen Sie die Schritte 1 bis 6, um die Ein- und Ausschaltzeiten und Temperaturen für Mittwoch, Donnerstag, Freitag, Samstag und Sonntag einzustellen.
8. Drücken Sie  oder , um die Eingabe abzuschließen. Achten Sie darauf, dass die Fernbedienung auf den Empfänger in der Mitte des Geräts gerichtet ist. Das Gerät gibt einen Piepton ab, um zu bestätigen, dass die Eingabe erfolgreich war.

### 6.3.3 Warnung zu offenem Fenster

Wenn die Raumtemperatur innerhalb von 3 Minuten um 10 Grad sinkt, geht das Gerät davon aus, dass ein Fenster geöffnet wurde. Um Energie zu sparen, schaltet der Heizer automatisch von hoher Hitze auf niedrige Hitze um, oder, wenn der Heizer bereits auf niedrige Hitze eingestellt ist, schaltet er sich ganz aus.

Beim Umstellen von hoher Hitze auf niedrige Hitze gibt das Gerät 3 Pieptöne von sich. Im digitalen Display blinkt „88“ 3-mal auf. Dann wird der aktuelle Heizstatus angezeigt.

Wenn das Gerät sich abschaltet, gibt es 3 Pieptöne von sich. „88“ blinkt kontinuierlich im digitalen Display.

Wie Sie die Heizfunktion zurücksetzen, können Sie im Abschnitt „Bedienen der Fernbedienung“ nachlesen.

**! WARNUNG**

- Wenn die Teile nicht gemäß diesem Handbuch eingebaut werden oder Teile verwendet werden, die nicht für dieses Gerät zugelassen sind, können Sach- oder Personenschäden entstehen.

Bei Fragen zu Preisen und Richtlinien zu Ersatzteilen wenden Sie sich an Ihren Händler. In der Regel können alle Teile über Ihren autorisierten Händler/Lieferanten bestellt werden.

**Zur Erfüllung des Gewährleistungsanspruchs auf Ersatzteile ist eine Kopie der Originalrechnung erforderlich.**

Geben Sie bei der Bestellung von Ersatzteilen immer folgende Informationen an:

- Modell- und Seriennummer des Geräts
- Installationsdatum des Geräts
- Teilenummer
- Beschreibung des Teils
- Oberflächenausführung

**Teile, Teilenummern und Verfügbarkeit können ohne vorherige Ankündigung geändert werden.**

**Vorrätige Teile werden für die meisten Lieferorte innerhalb von zwei bis fünf Werktagen geliefert.**

**Nicht vorrätige Teile werden in den meisten Fällen innerhalb von zwei bis vier Wochen geliefert.**

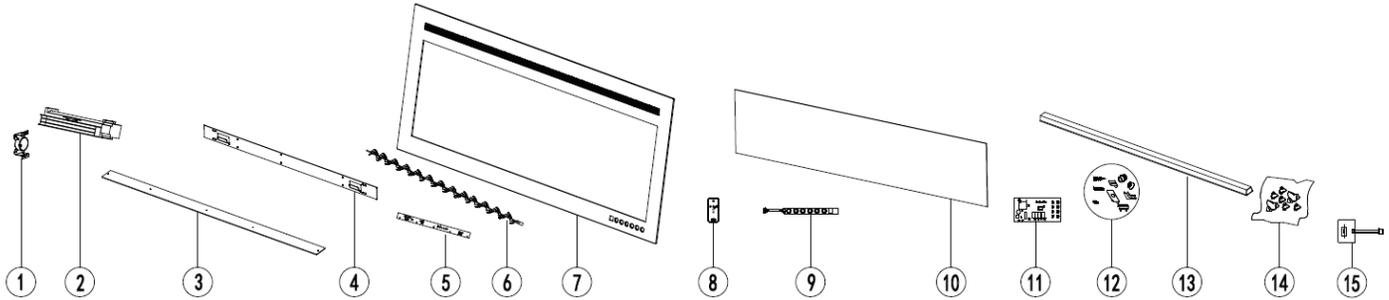
**Als „SO“ markierte Teile sind Sonderaufträge und können eine Lieferzeit von bis zu 90 Tagen erfordern.**

**Hinweis:**

Beim Entfernen und Entsorgen von zerbrochenem Glas oder beschädigten Bauteilen ist Vorsicht geboten. Saugen Sie Glasscherben vor dem Betrieb unbedingt aus dem Inneren des Geräts auf.

# Ersatzteile

## 7.1 NEFL42/50/60/72/100HI-EU Übersicht



Möglicherweise sehen einzelne Elemente nicht genau wie abgebildet aus.

Ref.	Beschreibung	Teilenummer					Auf Lager
		NEFL42HI-EU	NEFL50HI-EU	NEFL60HI-EU	NEFL72HI-EU	NEFL100HI-EU	
1	Synchronmotor	W435-0105-SER					Ja
2	Gebläse- und Heizerbaugruppe	W010-4774-SER					Ja
3	Kunststoffleiste	W497-1598-SER	W497-1599-SER	W497-1600-SER	W497-1604-SER	W497-1605-SER	Ja
4	Halterung zur Befestigung an der Wand	W080-1616		W080-1621	W080-1616	W080-1621	Ja
5	LED-Licht	W405-0055 + W405-0056					Ja
6	Reflektorspindel	W527-0036-SER	W527-0037-SER	W527-0038-SER	W527-0039-SER	W527-0040-SER	Ja
7	Glasscheibe	W300-0304-SER	W300-0305-SER	W300-0306-SER	W300-0308-SER	W300-0309-SER	Ja
8	Fernbedienung	W190-0189-SER					Ja
9	Bedienleiste (mit Fernempfänger)	W010-4541-SER					Ja
10	Acryl-Kunststoffblende	W475-6136-SER	W475-6137-SER	W475-6138-SER	W475-6139-SER	W475-6140-SER	Ja
11	Leiterplatte	W190-0190-SER			W190-0191-SER		Ja
12	Montage-Kit	W370-0185-SER			W370-0188-SER		Ja
13	Kabelabdeckung	W200-0572					Ja
14	Kristallglut-Elemente	W497-1601-SER	W497-1602-SER	W497-1603-SER	W497-1606-SER	W497-1607-SER	Ja
15	Thermostat	W690-0021					Ja
16*	Adapter für das Vereinigte Königreich	W005-0023-SER					
17*	Adapter für die Schweiz	W005-0024-SER					

\* Teile nicht abgebildet.

## **WARNUNG**

- Schalten Sie das Gerät vollständig aus, und lassen Sie es vor der Wartung abkühlen. Das Elektrogerät darf nur von qualifiziertem Servicepersonal gewartet und repariert werden.

Symptom	Problem	Lösung
Das Gerät schaltet sich nicht ein, wenn der Netzschalter in die Ein-Position gebracht wird.	Das Gerät ist nicht an eine Steckdose angeschlossen.	Überprüfen Sie den Stecker und schließen Sie das Gerät gegebenenfalls an.
	Festverdrahtete Verbindungen sind nicht korrekt.	Siehe Abschnitt „Installation der Festverdrahtung“.
	Das Gerät ist überhitzt und der Thermoschutzschalter hat ausgelöst.	Ziehen Sie das Netzkabel oder schalten Sie den Sicherungsschalter aus. Lassen Sie das Gerät 15 Minuten abkühlen und schließen Sie dann das Netzkabel wieder an oder schalten Sie den Sicherungsschalter ein.
	Problem mit der Hauptleiterplatte.	Überprüfen Sie die Leiterplatte und tauschen Sie sie gegebenenfalls aus.
Das Gerät schaltet sich aus und lässt sich nicht wieder einschalten.	Der Sicherungsschalter des Hauses hat ausgelöst.	Setzen Sie den Sicherungsschalter des Hauses zurück.
	Die Sicherung des Geräts ist durchgebrannt.	Tauschen Sie die Sicherung aus.
	Das Gerät ist überhitzt und der Thermoschutzschalter hat ausgelöst.	Ziehen Sie das Netzkabel oder schalten Sie den Sicherungsschalter aus. Lassen Sie das Gerät zum Zurücksetzen des Thermoschutzschalters 15 Minuten abkühlen und schließen Sie dann das Netzkabel wieder an oder schalten Sie den Sicherungsschalter ein.
Das Gerät ist zu den Standardeinstellungen zurückgekehrt.	Stromausfall.	Reprogrammieren Sie das Gerät auf die ursprünglichen Einstellungen (gilt nicht für alle Geräte).
Die Fernbedienung funktioniert nicht.	Schwache oder leere Batterien.	Tauschen Sie die Batterien in der Fernbedienung aus.
	Fehlfunktion des Fernempfängers.	Vergewissern Sie sich, dass der Fernempfänger nicht blockiert wird. Tauschen Sie die Bedienleiste aus.
Es kommt keine warme Luft aus dem Gerät.	Es wurde keine Heizeinstellung ausgewählt.	Siehe Abschnitt „Betrieb“.
	Der Heizer wurde gesperrt.	Siehe Abschnitt „Betrieb“.
	Die Raumtemperatur ist höher als die Geräteeinstellung (falls auf Raumtemperatur gestellt).	Setzen Sie die Temperatureinstellung zurück.
	Das Gerät ist überhitzt und der Thermoschutzschalter hat ausgelöst.	Ziehen Sie den Netzstecker oder schalten Sie den Sicherungsschalter aus. Lassen Sie das Gerät 15 Minuten lang abkühlen.
	Festverdrahtete Verbindungen sind nicht korrekt.	Siehe Abschnitt „Installation der Festverdrahtung“.
	Probleme mit dem Heizer	Überprüfen Sie das Gebläse und den Heizer und tauschen Sie sie gegebenenfalls aus.
Der Heizer schaltet automatisch aus.	Der Raum ist zu warm.	Der Heizer hat einen eingebauten Thermostat. Er schaltet sich daher automatisch aus, sobald die voreingestellte Temperatur erreicht ist. Sie schaltet sich wieder ein, sobald die Raumtemperatur unter die voreingestellte Temperatur fällt.

# Fehlerbehebung

DE

Schwache oder keine Flamme.	Flammenhelligkeit nicht ausgewählt.	Siehe Abschnitt „Betrieb“.
	Problem mit Flammen-LED.	Überprüfen Sie die LED und tauschen Sie sie gegebenenfalls aus.
	Problem mit der Hauptleiterplatte.	Überprüfen Sie die Hauptleiterplatte und tauschen Sie sie gegebenenfalls aus.
Flamme bewegt sich nicht.	Motor ist abgewürgt/funktioniert nicht.	Zyklus ein/aus. Wenn das Problem weiterhin besteht, wenden Sie sich an Ihren Händler.
Das Glutbett glüht nicht und wird auch nicht dunkler.	Die Helligkeit wurde nicht ausgewählt.	Siehe Abschnitt „Betrieb“.
	Problem mit der Glut-LED.	Überprüfen Sie die Glutbett-LED und tauschen Sie sie gegebenenfalls aus.
	Problem mit der Hauptleiterplatte.	Überprüfen Sie die Hauptleiterplatte und tauschen Sie sie gegebenenfalls aus.
LED blinkt „ON“.	Das Gerät ist überhitzt und der Thermoschutzschalter hat ausgelöst.	Ziehen Sie den Netzstecker oder schalten Sie den Sicherungsschalter aus. Lassen Sie das Gerät 15 Minuten abkühlen und schließen Sie dann das Netzkabel wieder an oder schalten Sie den Sicherungsschalter ein. Wenn das Problem weiterhin besteht, wenden Sie sich an Ihren Händler.

**Napoleon** Elektrogeräte werden unter dem strengen Standard der weltweit anerkannten Qualitätsmanagementnorm ISO 9001 : 2015 hergestellt.

Die Produkte von **Napoleon** werden mit hochwertigen Komponenten und Materialien entwickelt und von qualifizierten Facharbeitern montiert, die großen Wert auf die Qualität ihrer Arbeit legen. Nach der Montage wird das komplette Gerät vor dem Verpacken von einem qualifizierten und zugelassenen Installateur, einer Servicestelle oder einem Lieferanten gründlich inspiziert, um sicherzustellen, dass Sie als Kunde das Qualitätsprodukt erhalten, das Sie von **Napoleon** erwarten.

## Eingeschränkte Garantie von Napoleon auf Elektrogeräte

Elektrische Komponenten und Verschleißteile sind abgedeckt, und **Napoleon** stellt während der ersten 2 Jahre der eingeschränkten Garantie kostenlos Ersatzteile zur Verfügung. Dies beinhaltet: Lüfter/Heizgeräte, Motoren, Schalter, Nylon-Lagerkomponenten, Fernbedienungen und LED-Leuchten.\*

Glühlampen und Sicherungen sind NICHT durch die Garantie abgedeckt.

Jegliche Arbeit im Zusammenhang mit Garantireparaturen ist nicht abgedeckt.

\* Die Konstruktion verschiedener Modelle variiert. Die Garantie gilt nur für Komponenten Ihres spezifischen Geräts.

## Bedingungen und Einschränkungen

**Napoleon** übernimmt die Gewährleistung seiner Produkte für Herstellungsfehler ausschließlich dem ursprünglichen Käufer gegenüber. Eine Registrierung Ihrer Garantie ist nicht erforderlich. Legen Sie einfach Ihren Kaufbeleg zusammen mit der Modell- oder Seriennummer vor, um einen Garantieanspruch geltend zu machen. Vorausgesetzt, dass der Kauf über einen autorisierten **Napoleon** Händler erfolgt ist, gelten für unser Gerät folgende Bedingungen und Einschränkungen:

Der Garantieanspruch beginnt mit dem Datum der ursprünglichen Installation.

Diese Werksgewährleistung ist nicht übertragbar und kann in keiner Form von einem unserer Vertreter verlängert werden.

Der Einbau hat in Übereinstimmung mit der im Lieferumfang enthaltenen Einbauanleitung sowie lokalen und nationalen Bau- und Brandschutzverordnungen zu erfolgen.

Diese eingeschränkte Gewährleistung deckt keine Schäden ab, die durch Fehlgebrauch, fehlende Wartung, Unfälle, Umbau, unsachgemäße Verwendung oder Nachlässigkeit entstehen; durch den Einbau von Ersatzteilen anderer Hersteller wird diese Gewährleistung nichtig.

Diese eingeschränkte Gewährleistung deckt des Weiteren keine Kratzer, Dellen, Korrosion oder Verfärbungen durch Hitze, abrasive und chemische Reinigungsmittel sowie das Abblättern bei porzellanisierten Teilen oder mechanischen Bruch von PHAZER™ Holzscheiten ab.

Nur in den ersten 2 Jahren erstreckt sich diese Garantie auf die Reparatur oder den Ersatz von Teilen, die unter die Garantie fallen und Material- oder Verarbeitungsfehler aufweisen, vorausgesetzt, dass das Produkt in Übereinstimmung mit der Bedienungsanleitung und unter normalen Bedingungen betrieben wurde.

**Napoleon** übernimmt keine Verantwortung für den Einbau, die Arbeitskosten oder andere Ausgaben im Zusammenhang mit dem erneuten Einbau des über die Gewährleistung bezogenen Teils; und solche Kosten werden von dieser Gewährleistung nicht abgedeckt. Unbeschadet anders lautender Bestimmungen in dieser eingeschränkten Gewährleistung ist die Verantwortung von **Napoleon** wie oben beschrieben definiert und wird in keinem Fall auf zufällige, daraus folgende oder indirekte Schäden erweitert.

Diese Garantie definiert die Verpflichtungen und die Haftung von **Napoleon** in Bezug auf das **Napoleon** Elektrogerät und alle anderen ausdrücklichen oder impliziten Garantien in Bezug auf dieses Produkt; seine Komponenten oder Zubehörteile sind ausgeschlossen.

**Napoleon** übernimmt keine weiteren Haftungen im Hinblick auf den Verkauf dieses Produkts und autorisiert keine Dritten zur Übernahme solcher Haftungen.

Jegliche Schäden an Geräten, Messingbeschlägen oder anderen Komponenten durch Wasser, Witterungsschäden, lange Feuchtigkeitsperioden, Kondenswasser, schädliche Chemikalien oder Reinigungsmittel fallen nicht in die Verantwortung von **Napoleon**.

**Napoleon** behält sich das Recht vor, das Produkt oder das Teil vor der Gewährung der Ansprüche durch einen Vertreter überprüfen zu lassen.

Für alle im Rahmen der eingeschränkten Gewährleistung ausgetauschten Teile ist nur ein einzelner Anspruch möglich.

Alle Teile, die im Rahmen der Garantie ersetzt werden, sind für einen Zeitraum von 90 Tagen ab dem Datum ihrer Installation abgedeckt.

Der Hersteller kann verlangen, dass defekte Teile oder Produkte zurückgegeben werden oder dass digitale Bilder zur Unterstützung des Anspruchs zur Verfügung gestellt werden. Zurückgesandte Produkte sind zur Unterstützung franko an den Hersteller zu senden. Wenn festgestellt wird, dass ein Produkt defekt ist, repariert oder ersetzt der Hersteller diesen Defekt.

Bevor Sie Ihr Gerät oder defekte Komponenten versenden, muss Ihr Händler eine Autorisierungsnummer erhalten. Alle ohne Genehmigung versendeten Waren werden nicht angenommen und an den Absender zurückgeschickt.

Versandkosten sind nicht durch diese Garantie abgedeckt.

Es können zusätzliche Servicegebühren anfallen, wenn Sie Garantieleistungen von einem Händler in Anspruch nehmen.

Alle Spezifikationen und das Design können aufgrund von laufenden Produktverbesserungen ohne vorherige Ankündigung geändert werden.

**Napoleon** ist eine eingetragene Marke von Wolf Steel Ltd.

# FEIERN SIE MIT UNS – SEIT ÜBER 40 JAHREN WOHNKOMFORT PRODUKTE VON NAPOLEON!



**WEEE:**



**Bedeutung der durchgestrichenen Abfalltonne auf Rädern:**

**Entsorgen Sie Elektrogeräte nicht über den Hausmüll. Nutzen Sie separate Sammelstellen. Informationen zu verfügbaren Sammelsystemen erhalten Sie bei Ihrer Gemeindeverwaltung. Wenn Elektrongeräte auf Müllhalden oder Deponien entsorgt werden, können gefährliche Stoffe in das Grundwasser und damit in die Nahrungskette gelangen, was eine Gefahr für Gesundheit und Wohlbefinden darstellt.**

**Beim Austausch alter Geräte gegen neue ist der Händler gesetzlich verpflichtet, Ihr altes Gerät mindestens kostenfrei zurückzunehmen.**



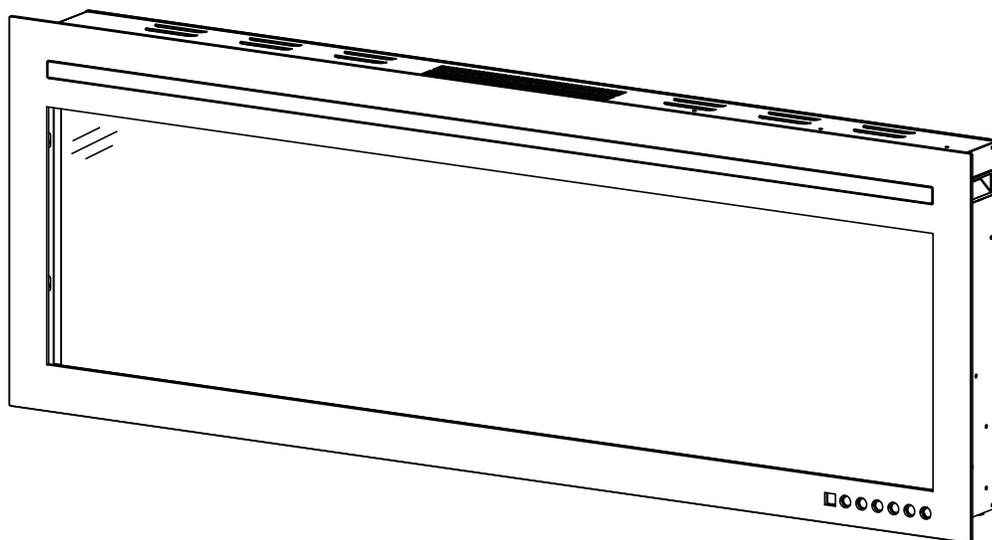
7200, Route Transcanadienne, Montréal, Québec H4T 1A3  
24 Napoleon Road, Barrie, Ontario, Canada L4M 0G8  
214 Bayview Drive, Barrie, Ontario, Canada L4N 4Y8  
103 Miller Drive, Crittenden, Kentucky, USA 41030  
De Riemsdijk 22, 4004 LC Tiel, Niederlande  
napoleon.com



# INSTALLATIE- EN BEDIENINGSHANDLEIDING

pūrvIEW 42/50/60/72/100-serie

(Illustratie van NEFL60HI-EU)



## VEILIGHEIDSINFORMATIE

### ! WAARSCHUWING

#### BRAND- OF EXPLOSIEGEVAAR

Nalaten de informatie in deze instructies nauwlettend te volgen, kan brand of een explosie met materiële schade, persoonlijk letsel of overlijden tot gevolg hebben.

- Gebruik of bewaar geen benzine of andere ontvlambare dampen en vloeistoffen in de buurt van dit of enig ander apparaat.

#### INSTALLATEUR:

Laat deze handleiding bij het apparaat achter

#### EIGENAAR:

Bewaar deze handleiding voor toekomstig gebruik

**ALLEEN VOOR GEBRUIK BINNENHUIS  
GEÏMORTEERD DOOR WOLF STEEL EUROPE (NEDERLAND)**



BRENG HET SERIENUMMER VAN DE DOOS AAN



Wolf Steel Europe BV  
De Riemsdijk 22, 4004 LC Tiel, Nederland

## WAARSCHUWING

- **Als het apparaat is uitgerust met een verwarming kan het apparaat tijdens gebruik heet worden en bij aanraking ernstige brandwonden veroorzaken.**
- Gebruik het apparaat niet voordat u de bedieningsinstructies hebt gelezen en begrepen. Als het apparaat niet volgens de bedieningsinstructies wordt gebruikt, kan dit tot brand of letsel leiden.
- Installeer geen beschadigde, onvolledige of vervangende onderdelen.
- Brand geen hout of andere materialen in dit apparaat.
- Alle elektrische apparaten bevatten hete onderdelen en kunnen vonkoverslag of vonken veroorzaken. Gebruik het apparaat niet in omgevingen waar een gasleiding, verf of ontvlambare vloeistoffen aanwezig zijn.
- Alle veiligheidsrekken of haardschermen die voor onderhoud zijn verwijderd, moeten worden teruggeplaatst voordat u het apparaat gebruikt.
- Het is van groot belang dat de bedieningscompartimenten, de circulatieblower en de doorgang in het apparaat schoon worden gehouden. Het apparaat moet vóór gebruik en ten minste eenmaal per jaar worden geïnspecteerd door een erkende servicemonteur. U moet het apparaat mogelijk vaker reinigen als gevolg van overmatige pluis van vloerbedekking, beddengoed, etc. De ruimte rond het apparaat mag geen brandbare materialen, benzine of andere ontvlambare dampen en vloeistoffen bevatten.
- Dit apparaat mag in geen geval worden gemodificeerd.
- Gebruik dit apparaat niet als een deel ervan onder water is geweest. Neem onmiddellijk contact op met een erkende servicemonteur om het apparaat te laten inspecteren en om de onderdelen van het regelsysteem te vervangen die onder water zijn geweest.
- Als het apparaat is uitgerust met een het glasfront, mag u het apparaat niet bedienen als de glazen deur is verwijderd, gebarsten of gebroken. Het glas moet worden vervangen door een bevoegde of erkende servicemonteur. Gooi of sla de glazen deur van het apparaat niet dicht.
- Houd het verpakkingsmateriaal buiten het bereik van kinderen en voer het materiaal op een veilige manier af. Net als een plastic zak is verpakkingsmateriaal geen speelgoed, en moet uit de buurt van kinderen en baby's worden gehouden.
- Onderhoud mag alleen worden uitgevoerd als het apparaat is losgekoppeld van het elektriciteitsnet.
- Haal altijd de stekker uit het stopcontact wanneer u het apparaat niet gebruikt.
- Gebruik dit apparaat niet als het snoer of de stekker beschadigd is nadat het apparaat defect geraakt is of gevallen of beschadigd is. Breng het apparaat naar een erkende onderhoudsdienst voor controle, elektrische of mechanische afstelling of reparatie.
- Niet buitenshuis gebruiken.
- Als u dit apparaat in een ruimte installeert waar water aanwezig is, moet de installatie voldoen aan de voorschriften voor ruimtes met een verhoogd gevaar voor elektrische schokken en elektrocutie.

### **opmerking:**

Dit apparaat is NIET geschikt voor installatie in een badkamer.

- Leg het snoer niet onder vloerbedekking. Bedek het snoer niet met vloerkleden, lopers of vergelijkbare attributen. Houd het snoer uit looppaden om ervoor te zorgen dat niemand erover struikelt.
- Alleen aansluiten op een goed geaard stopcontact.
- Zorg dat er geen voorwerpen in de ventilatie- of uitlaatopeningen komen, omdat dit elektrische schok of brand kan veroorzaken of het apparaat kan beschadigen.
- Het is normaal dat uw elektrische apparaat geluid maakt, vooral wanneer het in een stille ruimte zoals een slaapkamer wordt geïnstalleerd.

## WAARSCHUWING

- Om een eventuele brand te voorkomen, mag u de luchtinlaat of uitlaat op geen enkele wijze blokkeren. Gebruik het apparaat niet op zachte oppervlakken, zoals een vloerkleed, waar openingen geblokkeerd kunnen raken.
- Sluit apparaten altijd rechtstreeks aan op een wandcontactdoos/stopcontact. Gebruik nooit een verlengsnoer of een verplaatsbare stekkerdoos (verdeeldoos).
- Deze elektrische apparaten zijn alleen getest en bedoeld voor gebruik met de optionele accessoires die in deze instructies worden vermeld. Door optionele accessoires te gebruiken die niet specifiek voor dit apparaat zijn getest, kan de garantie vervallen en/of veiligheidsgevaar ontstaan.

### Voor apparaten die zijn uitgerust met een verwarming:

- Gevaar voor brandwonden. Schakel het apparaat uit en laat het afkoelen voordat u onderhoud uitvoert. U kunt de stroom uitschakelen door het apparaat uit te zetten en de stekker uit het stopcontact te halen.
- Houd toezicht op jonge kinderen die zich in dezelfde ruimte als het apparaat bevinden. Peuters, jonge kinderen en anderen lopen het risico zich per ongeluk te branden. Als er personen uit kwetsbare groepen in huis zijn, adviseren we een fysieke barrière te gebruiken. Om te beperken wie bij een apparaat of fornuis kan komen, plaatst u een verstelbaar veiligheidshok dat peuters, jonge kinderen en andere kwetsbare personen uit de kamer en uit de buurt van hete oppervlakken houdt.
- Leg geen kleding of ander brandbaar materiaal op of in de buurt van het apparaat.
- Vanwege de hoge temperatuur mag dit apparaat niet in looppaden en vlak bij meubels en gordijnen worden geplaatst.
- Tref voldoende veiligheidsmaatregelen om te voorkomen dat baby's/peuters de hete oppervlakken kunnen aanraken.
- Zelfs nadat het apparaat is uitgeschakeld, blijven het glas en/of het scherm nog geruime tijd heet.
- Neem contact op met uw plaatselijke leverancier van kachels en haarden voor veiligheidsrekken en haardschermen om kinderen te beschermen tegen hete oppervlakken. Deze schermen en rekken moeten aan de vloer worden bevestigd.
- Zorg dat u bij het bouwen van een mantel of planken boven het apparaat voldoende afstand houdt tot brandbare stoffen. Doordat de muur of de lucht boven het apparaat opwarmt, kunnen decoraties, tv's of andere elektronische componenten smelten, verkleuren of beschadigen.
- Het apparaat mag niet direct onder een stopcontact worden geplaatst.
- Dit apparaat mag worden gebruikt door kinderen vanaf 8 jaar en door personen met verminderde lichamelijke zintuiglijke, geestelijke capaciteiten of gebrek aan ervaring en kennis, mits onder toezicht of als ze uitleg hebben gekregen over veilig gebruik van het apparaat en alle gevaren begrijpen. Kinderen mogen niet met het apparaat spelen. Reiniging en gebruikersonderhoud mogen niet door kinderen zonder toezicht worden uitgevoerd.

 **WAARSCHUWING:** Dit product kan u blootstellen aan chemicaliën zoals lood en loodverbindingen, die in de staat Californië bekend staan als kankerverwekkend, en aan chemicaliën zoals BBP en DEHP, die in de staat Californië bekend staan als stoffen die geboortefwijkingen of andere reproductieve schade veroorzaken. Ga voor meer informatie naar [www.P65Warnings.ca.gov](http://www.P65Warnings.ca.gov).

# inhoudsopgave

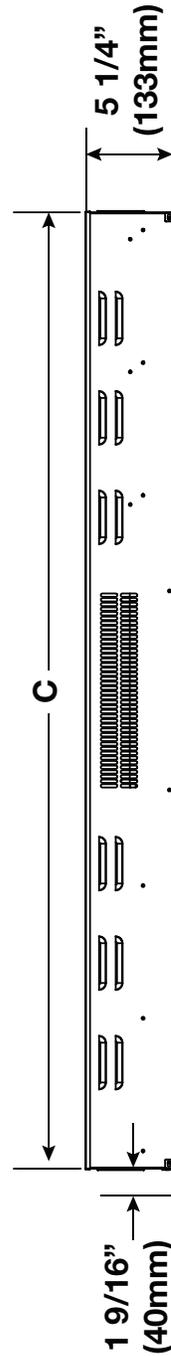
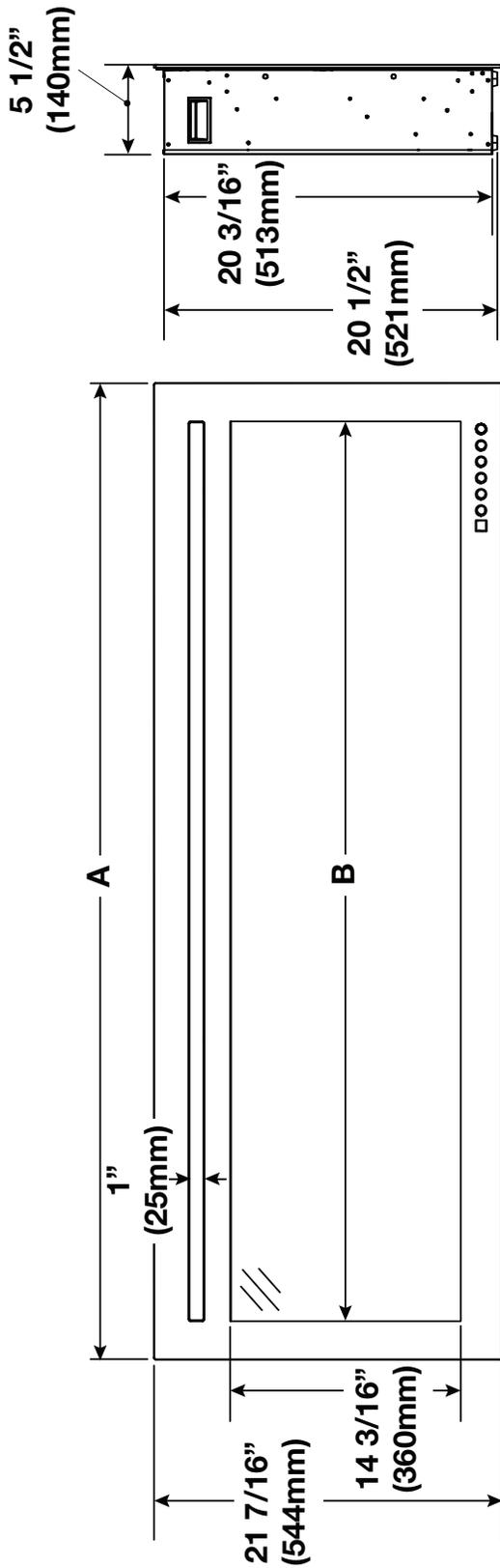
NL

<b>1.0</b>	<b>algemene informatie</b>	<b>5</b>
1.1	afmetingen (NEFL42/50/60HI-EU)	5
1.2	afmetingen (NEFL72/100HI-EU)	6
1.3	informatie typeplaatje	7
1.4	locatie van het label	7
1.5	goedkeuringen	8
1.6	algemene instructies	8
1.7	het apparaat uitpakken en testen	9
1.8	lijst montagemateriaal	9
<b>2.0</b>	<b>plaatsing van het apparaat</b>	<b>10</b>
<b>3.0</b>	<b>installeren</b>	<b>11</b>
3.1	minimale afstand tot brandbare stoffen	11
3.2	inbouwen	12
3.3	wandmontage	13
3.4	inbouw pre-installatie	15
3.4.1	volledige inbouw	15
3.4.2	gedeeltelijke inbouw	16
<b>4.0</b>	<b>elektriciteit</b>	<b>17</b>
4.1	installeren via vaste bedrading	17
4.2	bedradingsschema (NEFL42HI-EU)	18
4.3	bedradingsschema (NEFL50/60HI-EU)	19
4.4	bedradingsschema (NEFL72HI-EU)	20
4.5	bedradingsschema (NEFL100HI-EU)	21
<b>5.0</b>	<b>afwerking</b>	<b>22</b>
5.1	verwijderen/installeren van het glazen voorpaneel	22
5.2	plaatsen van de kristallen decoratie	22
<b>6.0</b>	<b>bedieningsinstructies</b>	<b>23</b>
6.1	bediening via het aanraakscherm	23
6.2	bediening met de afstandsbediening	25
6.3	timerinstellingen op de afstandsbediening	26
6.3.1	huidige dag en tijd instellen	26
6.3.2	AAN/UIT-tijd en -temperatuur op een wekelijkse cyclus instellen	26
6.3.3	waarschuwing voor open raam	26
<b>7.0</b>	<b>vervangingsonderdelen</b>	<b>27</b>
7.1	Overzicht van de NEFL42/50/60/72/100HI-EU	28
<b>8.0</b>	<b>probleemoplossing</b>	<b>29</b>
<b>9.0</b>	<b>garantie</b>	<b>31</b>

## opmerking:

De informatie in deze handleiding wordt verondersteld juist te zijn op de datum waarop het is gedrukt. Wolf Steel Ltd. behoudt zich het recht voor om informatie in deze handleiding zonder voorafgaande kennisgeving te wijzigen. Andere wijzigingen dan redactionele wijzigingen worden aangegeven met een verticale lijn in de kantlijn.

1.1 afmetingen (NEFL42/50/60HI-EU)

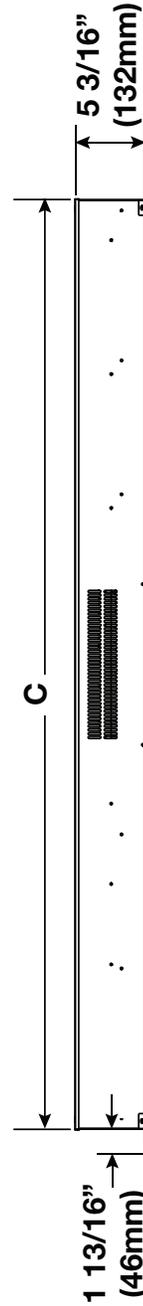
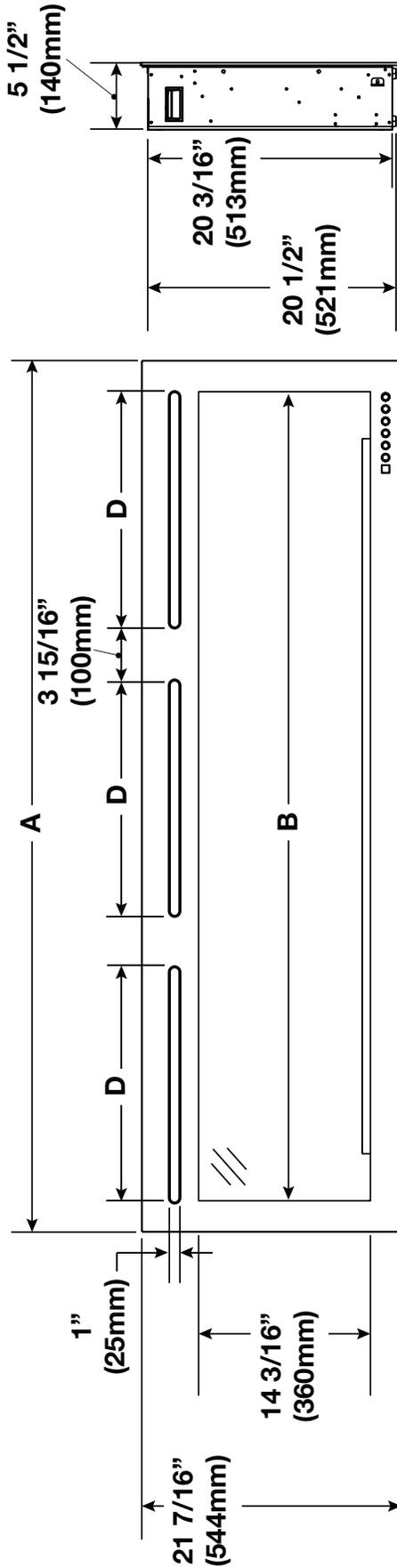


	A	B	C
NEFL42HI-EU	42" (1067mm)	37 5/16" (948mm)	38 15/16" (989mm)
NEFL50HI-EU	50" (1270mm)	45 5/16" (1151mm)	46 15/16" (1192mm)
NEFL60HI-EU	60" (1524mm)	55 5/16" (1405mm)	56 15/16" (1446mm)

# algemene informatie

NL

## 1.2 afmetingen (NEFL72/100HI-EU)



	A	B	C	D
NEFL72HI-EU	72" (1829mm)	66 7/8" (1697mm)	68 7/16" (1738mm)	19 5/8" (499mm)
NEFL100HI-EU	100" (2540mm)	94 15/16" (2411mm)	96 7/16" (2450mm)	29" (736mm)

### 1.3 informatie typeplaatje

De onderstaande afbeelding dient uitsluitend ter illustratie. Raadpleeg het typeplaatje op het apparaat voor de juiste informatie.

ELEKTRISCHE OPEN HAARD. GESCHIKT VOOR INSTALLATIE IN WOONKAMER EN ANDERE DROGE BINNENRUIMTES. GESCHIKT VOOR INSTALLATIE IN EEN STACARAVAN.

CE    
www.tuv.com ID 1419075957

SPANNING: 220-240 VAC  
 FREQUENTIE: 50Hz  
 VERMOGEN: 1400-1600W  
 DATUMCODE: XXXXX

MODELLEN  
 NEFL42HI-EU     NEFL50HI-EU     NEFL60HI-EU     NEFL72HI-EU     NEFL100HI-EU

Fabrikant: Wolf Steel Ltd.  
 24 Napoleon Road,  
 Barrie, ON, L4M 0G8 Canada

Importeur: Wolf Steel Europe BV  
 De Riemsdijk 22, 4004 LC Tiel,  
 Nederland

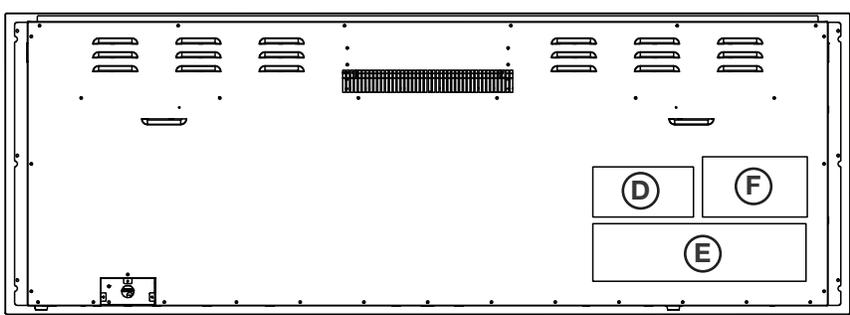
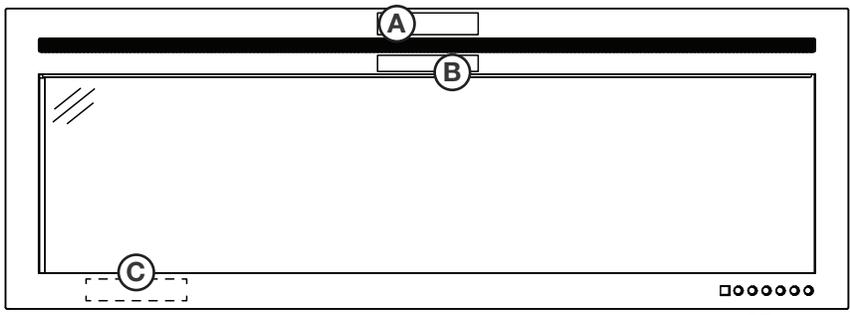
ONTWORPEN IN NOORD-AMERIKA  
 DOOR WOLF STEEL LTD.  
 GEMAAKT IN CHINA

SERIENUMMER: NEFLXX W385-4537 / A

**opmerking:**  
 Het typeplaatje moet altijd bij het apparaat blijven. Het mag niet worden verwijderd.

### 1.4 locatie van het label

**opmerking:**  
 Uitsluitend ter illustratie. De locatie van de labels kan variëren.



Ref.	Onderdeelnummer	Label-Omschrijving
A	W385-2210	'Niet bedekken'
B	W385-2017	'Heet oppervlak'
C	-	Serienummer *
D	W385-2167	Let op
E	W385-2163	Waarschuwing
F	W385-2389	Typeplaatje (NEFL42/50/60/72/100HI-EU)

\* Bevindt zich achter glas op metalen oppervlak.

# algemene informatie

NL

## 1.5 goedkeuringen

Dit apparaat is getest volgens de GS-normen voor vaste en locatiespecifieke elektrische binnenhuisapparatuur in Europa. Voor hulp bij het installeren neemt u contact op met uw plaatselijke dealer.

Model	NEFL42HI-EU	NEFL50HI-EU	NEFL60HI-EU	NEFL72HI-EU	NEFL100HI-EU
Omschrijving	Elektrisch apparaat				
Type	Apparaat kan op 3 manieren worden gemonteerd: wandmontage, ingebouwd in de muur, in een mantel geïnstalleerd				
Spanning	220-240 V wisselspanning				
Vermogen	MAX. 1600 W				
Stroom	Eigen geaard circuit van 15 A				
Breedte van het apparaat	1067 mm (42 inch)	1270 mm (50 inch)	1524 mm (60 inch)	1828 mm (72 inch)	2540 mm (100 inch)
Hoogte van het apparaat	544 mm (21 7/16 inch)				
Diepte van het apparaat	140 mm (5 1/2 inch)				
Nettogewicht	19 kg (42 lbs)	24 kg (53 lbs)	27,4 kg (60,4 lbs)	38 kg (84 lbs)	55 kg (121 lbs)
Brutogewicht	24 kg (53 lbs)	28 kg (61,7 lbs)	36,7 kg (81 lbs)	43 kg (95 lbs)	61 kg (135 lbs)

## 1.6 algemene instructies

### WAARSCHUWING

- Lees deze instructies volledig door voordat u met de installatie begint. Nalaten deze instructies op te volgen, kan een storing aan het apparaat veroorzaken met ernstig letsel en/of schade aan eigendommen tot gevolg.
- Alle elektrische apparaten bevatten hete onderdelen en kunnen vonkoverslag of vonken veroorzaken. Gebruik het apparaat niet in omgevingen waar benzine, verf of ontvlambare vloeistoffen aanwezig zijn.
- Dit elektrische apparaat is alleen getest en bedoeld voor gebruik met de optionele accessoires die in deze instructies worden vermeld. Door optionele accessoires te gebruiken die niet specifiek voor dit elektrische apparaat zijn getest, kan de garantie vervallen en/of veiligheidsgevaar ontstaan.
- Niet openen. Risico van elektrische schokken. Geen onderdelen die door de gebruiker kunnen worden gerepareerd.
- Gebruik geen beschadigde elektrische snoeren.
- Onderhoud mag alleen worden uitgevoerd als het apparaat is losgekoppeld van het elektriciteitsnet.
- Om elektrische schokken te voorkomen, moet u de stekker volledig in het stopcontact steken.

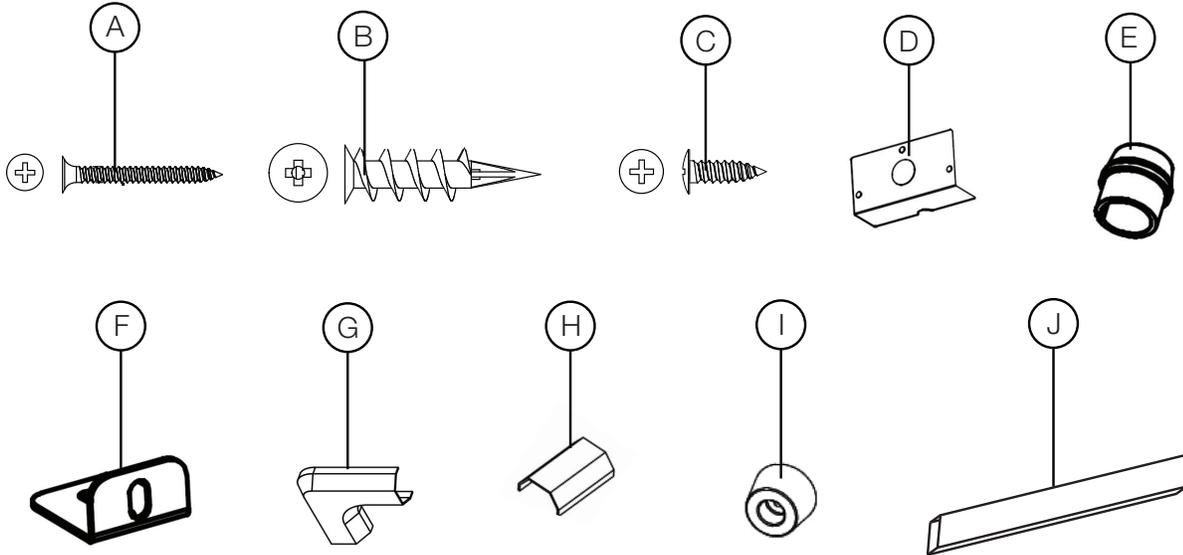
- Controleer voordat u het apparaat op een stopcontact aansluit of de stroomonderbrekers voor dat stopcontact zijn ingeschakeld.
- Het apparaat kan een lichte, onschadelijke geur afgeven wanneer het voor het eerst wordt gebruikt. Deze geur is normaal en eenmalig en wordt afgegeven door interne elementen die voor het eerst worden verwarmd.
- Als het apparaat geen warmte afgeeft als dat wel zou moeten, raadpleegt u het hoofdstuk 'bedieningsinstructies' in deze handleiding voor meer informatie.
- Leg het netsnoer niet direct onder het apparaat.

**Net als bij de meeste elektronische apparaten is uw nieuwe apparaat ontworpen voor gebruik bij een temperatuur tussen de 5 °C (41 °F) en 35 °C (95 °F). Laat het apparaat tijdens de koudere wintermaanden eerst op kamertemperatuur komen voordat u het inschakelt.**

## 1.7 het apparaat uitpakken en testen

Haal het apparaat voorzichtig uit de doos en verwijder de steunen. Verwijder voordat u het apparaat installeert al het verpakkingsmateriaal en test of het apparaat goed werkt door het netsnoer aan te sluiten op een gunstig geplaatst, geaard stopcontact van 220-240 V en minimaal 10 A.

## 1.8 lijst montagemateriaal



Ref.	Omschrijving	Aantal				
		NEFL42HI-EU	NEFL50HI-EU	NEFL60HI-EU	NEFL72HI-EU	NEFL100HI-EU
A	Houtschroeven		6			12
B	Gipsplaatankers		6			12
C	Metaalschroeven			8		
D	Afdekplaat			1		
E	Trekontlasting			1		
F	Metalen steun			4		
G	Kabelhoek			2		
H	Kabelhoek			2		
I	Rubberen voetje		4			6
J	Lang snoerbeschermer			2		

## 2.0 plaatsing van het apparaat

NL

### WAARSCHUWING

- Vanwege de hoge temperatuur mag dit elektrische apparaat niet in looppaden worden geplaatst. Houd brandbare materialen zoals meubels, kussens, beddengoed, papier, kleding, gordijnen en soortgelijke voorwerpen minstens 90 cm (36 inch) van de voorzijde van het apparaat verwijderd.
- Plaats dit elektrische apparaat nooit ergens waar het in een badkuip of ander waterbassin kan vallen.
- Draag tijdens installatie en onderhoud veiligheidshandschoenen en een veiligheidsbril.
- Om aanraking met doorgezakte of losse isolatie te voorkomen, mag het apparaat niet worden geïnstalleerd tegen een vochtscherm of blootliggende isolatie. Hierdoor kan lokale oververhitting en brand optreden.
- Stel het apparaat niet bloot aan het weer (regen, etc.)

## ! WAARSCHUWING

- Brandgevaar! Het netsnoer mag niet tegen een scherpe rand geklemd zitten. Zet het snoer vast om struikelen of vasthaken te voorkomen en de kans op brandgevaar, een elektrische schok of persoonlijk letsel te beperken. Leg het snoer niet onder vloerbedekking. Bedek het snoer niet met vloerkleden, lopers of vergelijkbare attributen. Houd het snoer uit looppaden om ervoor te zorgen dat niemand erover struikelt.
- Brandgevaar! Om een eventuele brand te voorkomen, mag u de luchtinlaat of uitlaat op geen enkele wijze blokkeren. Gebruik het apparaat niet op zachte oppervlakken waar openingen kunnen worden geblokkeerd.
- Brandgevaar! Blaas of plaats geen isolatie tegen het apparaat.
- Dit elektrische apparaat is alleen getest en bedoeld voor gebruik met de goedgekeurde optionele accessoires. Door optionele accessoires te gebruiken die niet specifiek voor dit elektrische apparaat zijn getest, kan de garantie vervallen en/of veiligheidsgevaar ontstaan.
- Nalaten de informatie in deze instructies nauwlettend te gebruiken, kan brand of een explosie met materiële schade, persoonlijk letsel of overlijden tot gevolg hebben. Bewaar of gebruik geen benzine of andere ontvlambare dampen in de buurt van dit of enig ander apparaat.
- Dit apparaat is zwaar. Het wordt sterk aanbevolen om dit apparaat met twee personen te installeren.
- Voor apparaten die zijn uitgerust met een verwarming, moet worden gezorgd dat de ventilatieopeningen op geen enkele wijze kunnen worden afgedekt, om brandgevaar te vermijden.
- Leg het netsnoer niet horizontaal, direct onder het apparaat.

Uw NEFL42/50/60/72/100HI-EU is geschikt voor wandmontage, inbouw en/of installatie in een mantel. Kies een geschikte, niet-vochtgevoelige locatie uit de buurt van gordijnen, meubels en looppaden.

### opmerking:

Houd u aan alle nationale en plaatselijke elektrische voorschriften.

## 3.1 minimale afstand tot brandbare stoffen

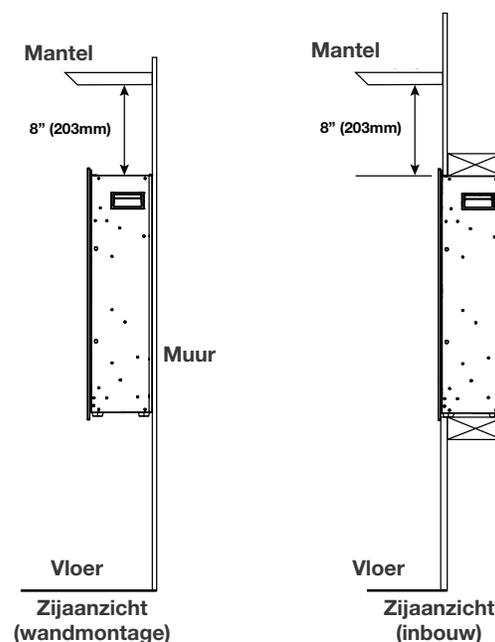
### ! WAARSCHUWING

- Als u verf of lak gebruikt om een mantel af te werken, moet deze hittebestendig zijn om verkleuring te voorkomen.

### opmerking:

De aan/uit-schakelaar bevindt zich linksboven op het apparaat. Zorg dat deze schakelaar altijd toegankelijk blijft.

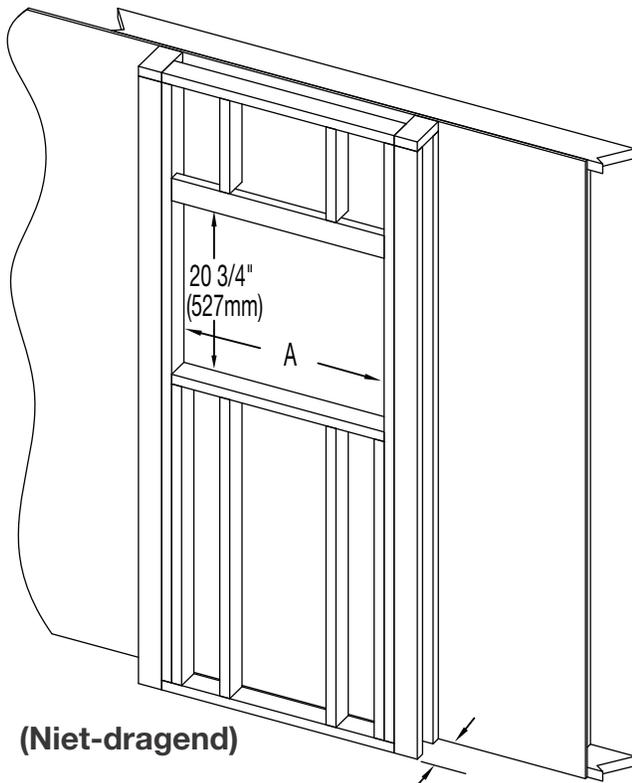
Afmetingen vanaf het glazen voorpaneel	
Onderzijde	0 cm
Zijkanten	
Achterzijde	
Bovenzijde	203 mm (8 inch) vanaf het plafond
	203 mm (8 inch) vanaf de mantel



# installeren

NL

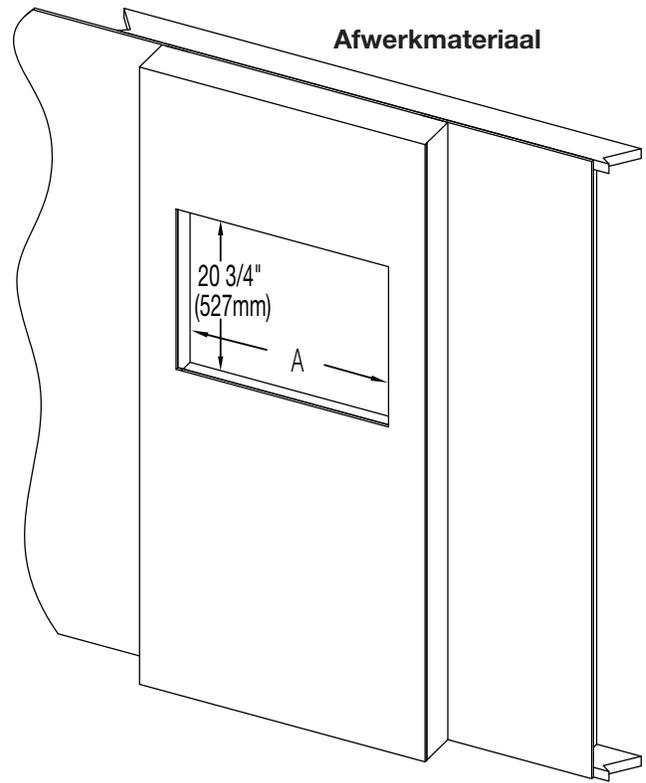
## 3.2 inbouwen



**(Niet-dragend)**

$3\frac{1}{2}''$  (89mm) MIN

5'' (127mm) MAX



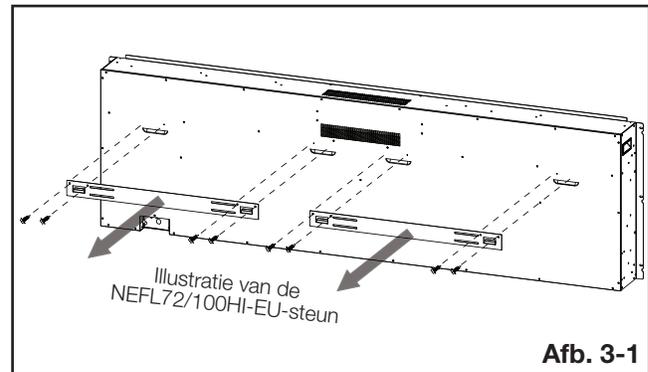
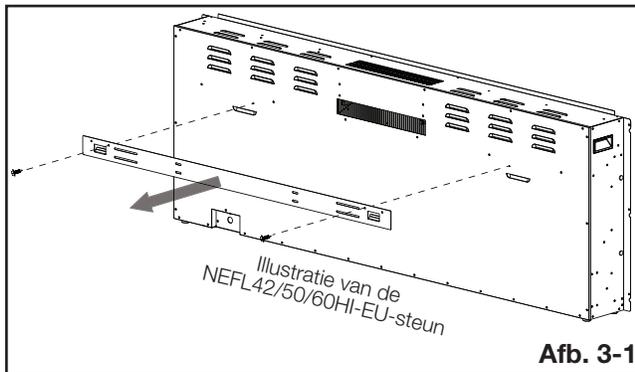
**Afwerk materiaal**

MODELNR.	A
NEFL42HI-EU	1002 mm (39 1/2 inch)
NEFL50HI-EU	1205 mm (47 1/2 inch)
NEFL60HI-EU	1459 mm (57 1/2 inch)
NEFL72HI-EU	1752 mm (69 inch)
NEFL100HI-EU	2463 mm (97 inch)

## 3.3 wandmontage

Vanwege de verschillende materialen die op muren worden gebruikt, raden wij u met klem aan uw plaatselijke bouwbedrijf te raadplegen voordat u dit apparaat aan de muur installeert.

- A. Kies een niet-vochtgevoelige locatie op een afstand van 91 cm (36 inch) van brandbare materialen, zoals gordijnen, meubels, beddengoed, papier, etc.
- B. Verwijder het glazen voorpaneel (zie het hoofdstuk 'verwijderen/installeren van het glazen voorpaneel').
- C. Houd het apparaat met zijn tweeën tegen de muur om de definitieve locatie te bepalen.
- D. Plaats het apparaat met de voorzijde omlaag op een zacht, niet-schurend oppervlak. Verwijder de steun aan de achterkant van het apparaat door de schroeven te verwijderen (**afb. 3-1**). Leg de steun opzij en gooi de schroeven weg.



- E. Markeer de locatie en bevestig de steun met de schroeven (meegeleverd) aan de muur. De haken op deze steun MOETEN naar boven gericht en waterpas zijn (**afb. 3-2**).



**A x 6 voor NEFL42/50/60HI-EU**

**A x 12 voor NEFL72/100HI-EU**

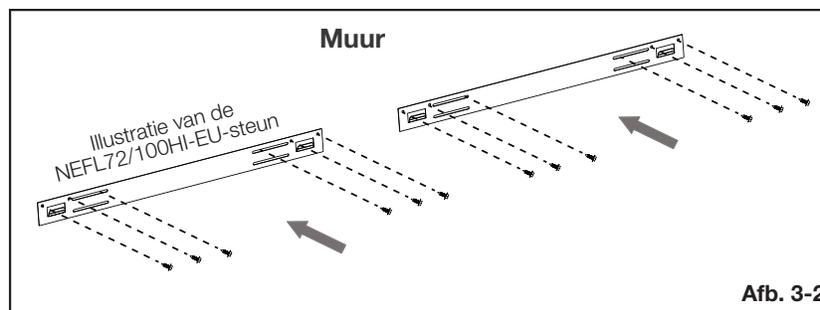
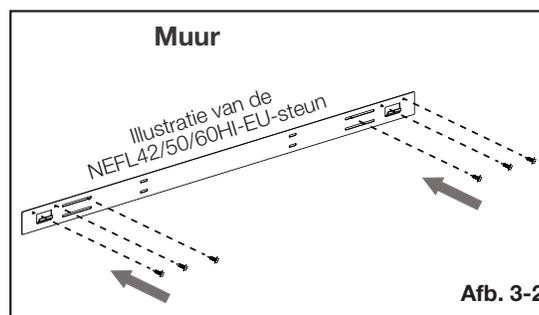


**B x 6 voor NEFL42/50/60HI-EU**

**B x 12 voor NEFL72/100HI-EU**

### opmerking:

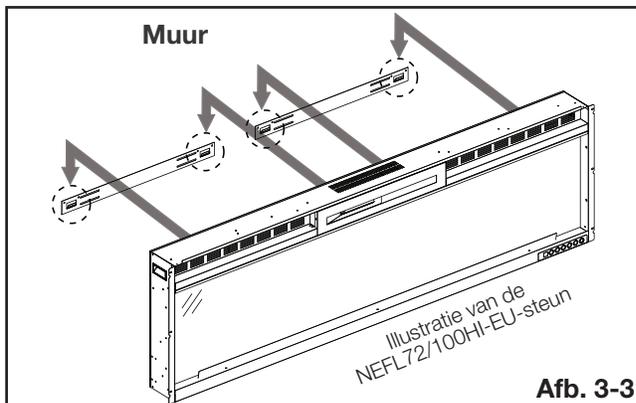
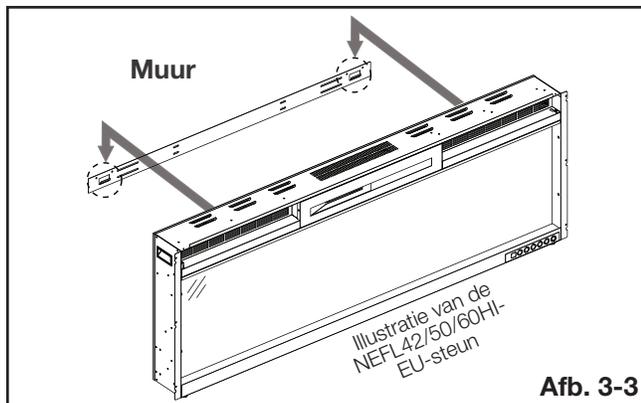
We raden u met klem aan om de montagesteun zo mogelijk in de muurbalken te schroeven. Als de muurbalken niet kunnen worden gebruikt, moet u ervoor zorgen dat de meegeleverde kunststof muurpluggen worden gebruikt om de steun aan de muur te bevestigen en dat de steun goed vast zit.



# installeren

NL

- F. Nadat de montagesteun is geïnstalleerd, tilt u het apparaat met zijn tweeën op en plaatst u de twee haken op de steun in de twee sleuven aan de achterzijde van het apparaat (**afb. 3-3**).



- G. Controleer of het apparaat stabiel is en of de steun niet van de muur loskomt.
- H. Installeer de kristallen decoratie (zie het hoofdstuk 'plaatsen van de kristallen decoratie'). **U moet eerst deze stap voltooien voordat u door kunt naar de volgende stap.**
- I. Plaats het glazen voorpaneel weer terug.

## 3.4 inbouw pre-installatie

Vanwege de verschillende materialen die op muren worden gebruikt, raden wij u met klem aan uw plaatselijke bouwbedrijf te raadplegen voordat u dit apparaat aan de muur installeert.

### opmerking:

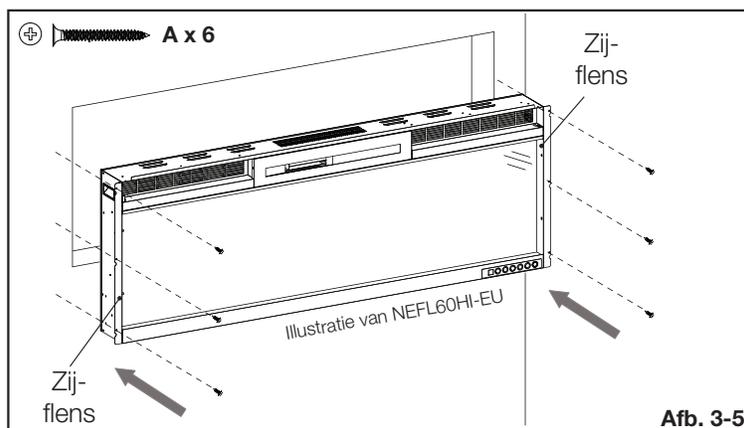
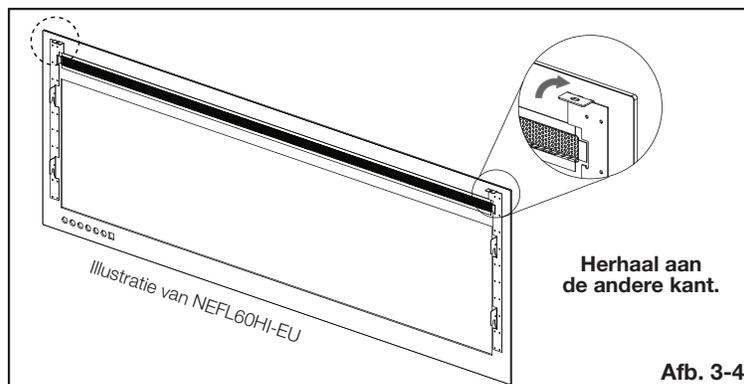
We raden u aan de wanden van de apparaatopening (met gipsplaat) te bedekken om te voorkomen dat blootliggende isolatie of het vochtscherm in aanraking komt met het apparaat. Zo weet u zeker dat er voldoende afstand is tot brandbare stoffen.

Het apparaat wordt geleverd met gebogen lipjes. Als u het apparaat volledig in de muur inbouwt, moet het lipje met de hand plat worden gedrukt (zie het hoofdstuk 'volledige inbouw').

- A. Kies een niet-vochtgevoelige locatie op een afstand van 91 cm (36 inch) van brandbare materialen, zoals gordijnen, meubels, beddengoed, papier, etc.
- B. Meet het apparaat en leg de elektriciteit aan (zie het hoofdstuk 'inbouwen').
- C. Verwijder het glazen voorpaneel (zie het hoofdstuk 'verwijderen/installeren van het glazen voorpaneel').
- D. Houd het apparaat omhoog om er zeker van te zijn dat het in de inbouwen past.

### 3.4.1 volledige inbouw

- A. Buig de twee bovenlipjes aan het glazen voorpaneel omhoog tot ze plat zijn (**afb. 3-4**). Zet het glazen voorpaneel opzij.
- B. Verwijder het netsnoer en voltooi de bedrading (zie het hoofdstuk 'installeren via vaste bedrading').
- C. Plaats het apparaat in de framing en bevestig de zes schroeven (meegeleverd) door de zijflenzen (**afb. 3-5**).
- D. Installeer de media (zie het hoofdstuk 'plaatsen van de kristallen decoratie'). **U moet eerst deze stap voltooiën voordat u door kunt naar de volgende stap.**
- E. Plaats het glazen voorpaneel weer terug.



# installeren

NL

## 3.4.2 gedeeltelijke inbouw

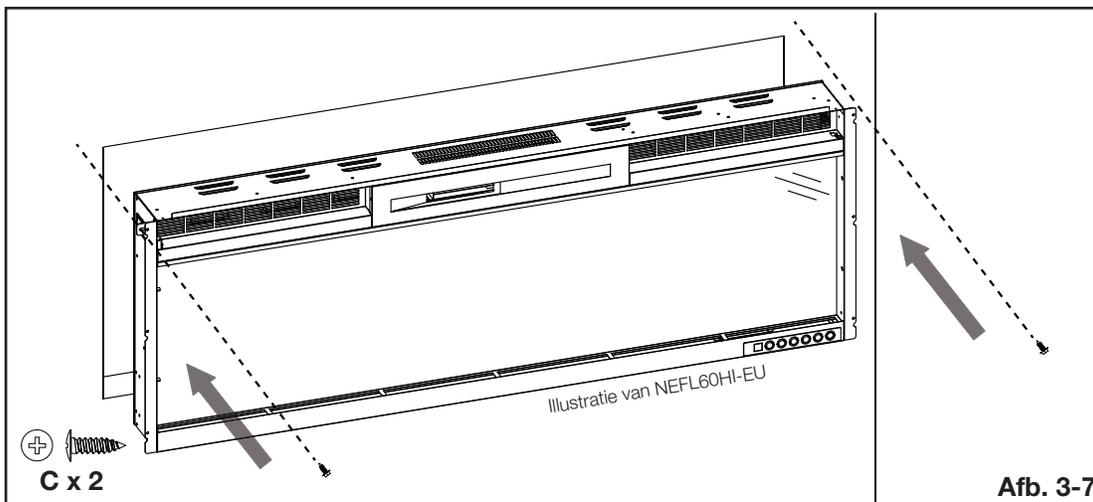
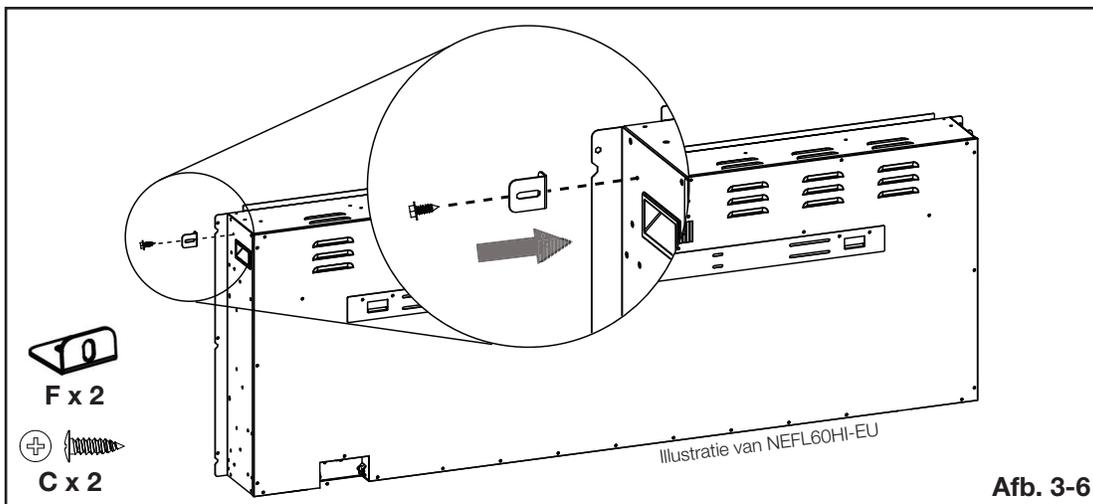
- A. Installeer twee metalen steunen (één per kant) (meegeleverd) aan op de bovenkant van het apparaat (**afb. 3-6**).

### opmerking:

Het apparaat wordt geleverd met twee schroeven die al op de steunlocaties zijn aangebracht. Verwijder deze schroeven, gebruik ze opnieuw om de metalen steunen aan het apparaat te bevestigen en schroef de steunen aan de muur.

Het apparaat wordt geleverd met twee voorgeïnstalleerde metalen steunen. U kunt deze steunen tijdens de installatie gebruiken of ze weggooien en de vier nieuwe steunen uit de montagekit gebruiken.

- B. Verwijder het netsnoer en voltooi de bedrading (zie het hoofdstuk 'installeren via vaste bedrading').
- C. Plaats het apparaat zo ver mogelijk in de inbouwen en bevestig de twee schroeven (meegeleverd) door de metalen steunen (**afb. 3-7**).
- D. Installeer de media (zie het hoofdstuk 'plaatsen van de kristallen decoratie'). **U moet eerst deze stap voltooien voordat u door kunt naar de volgende stap.**
- E. Plaats het glazen voorpaneel weer terug.



## 4.1 installeren via vaste bedrading

**! WAARSCHUWING**

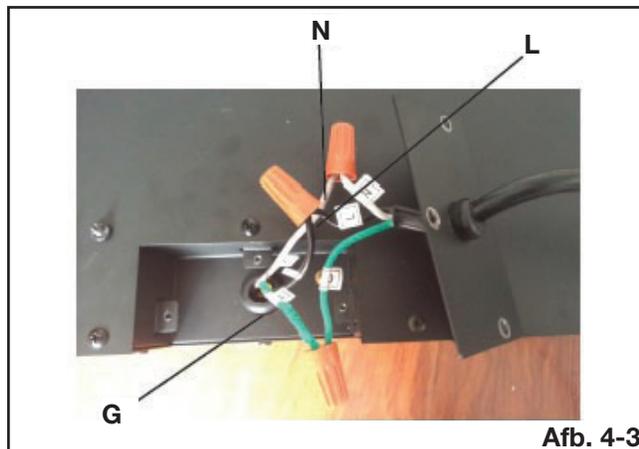
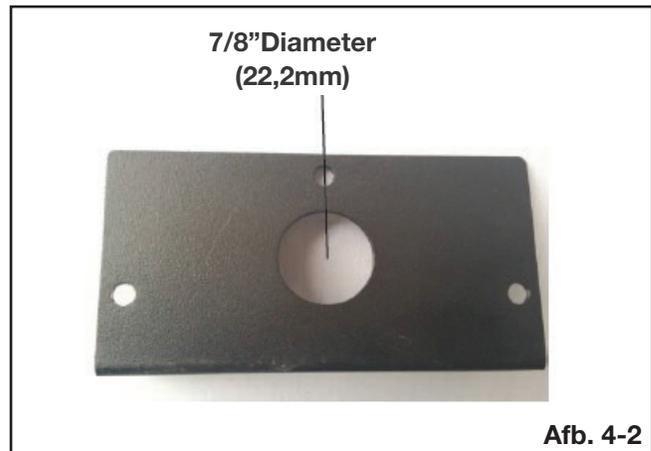
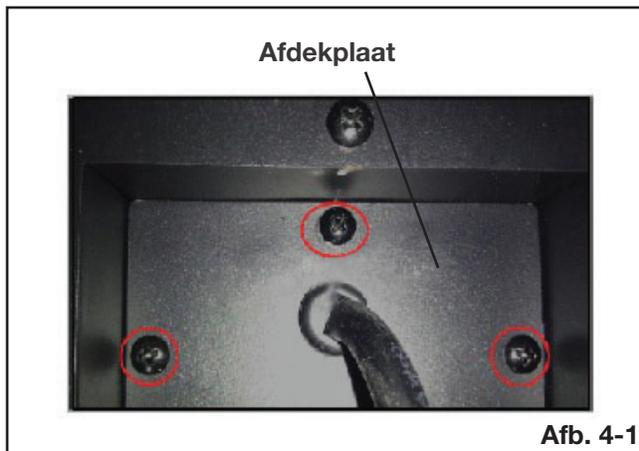
- Schakel het apparaat volledig uit en laat het afkoelen voordat u onderhoud uitvoert. Dit elektrische apparaat mag alleen worden onderhouden en gerepareerd door een erkende onderhoudsmonteur.

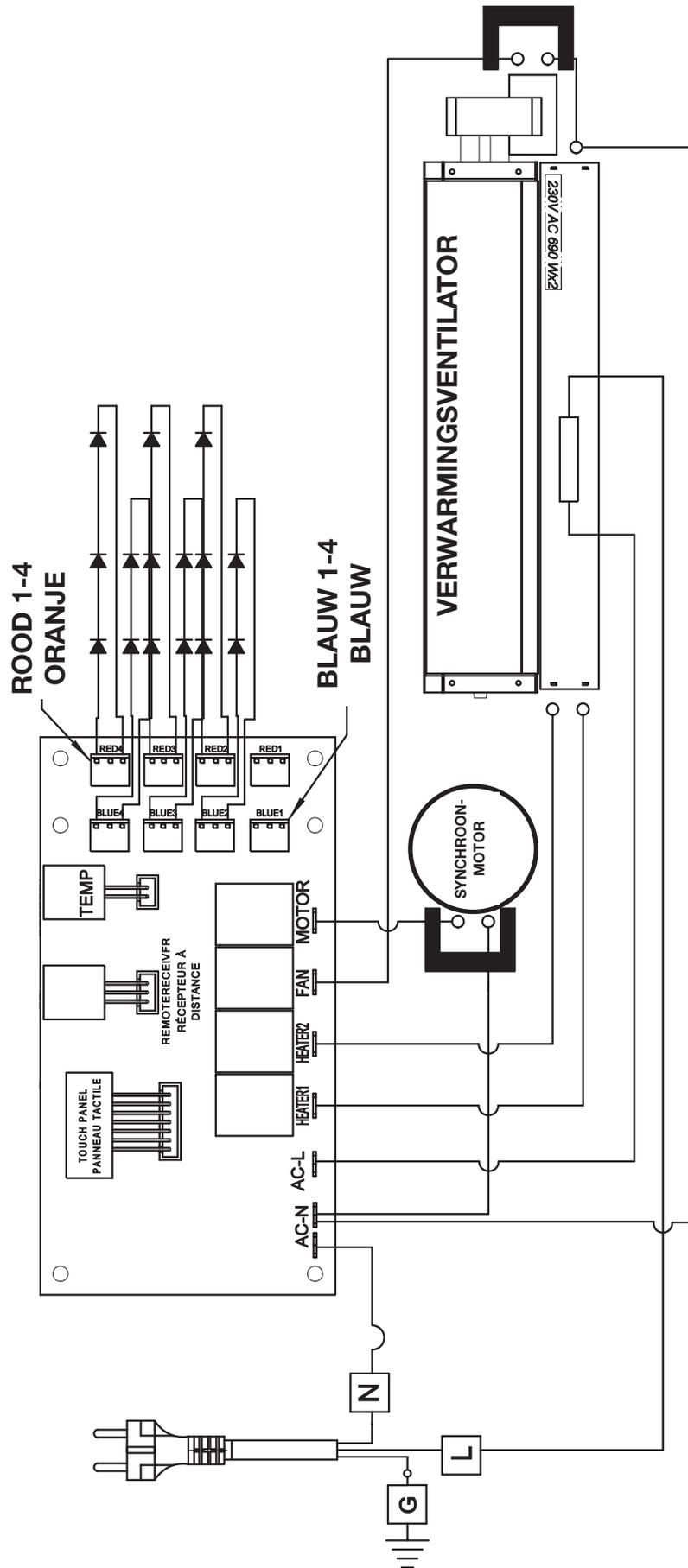
**Aansluiten via vaste bedrading**

Als dit apparaat op vaste bedrading moet worden aangesloten, moet een erkende elektricien het snoer verwijderen en het apparaat rechtstreeks op het elektriciteitsnet aansluiten.

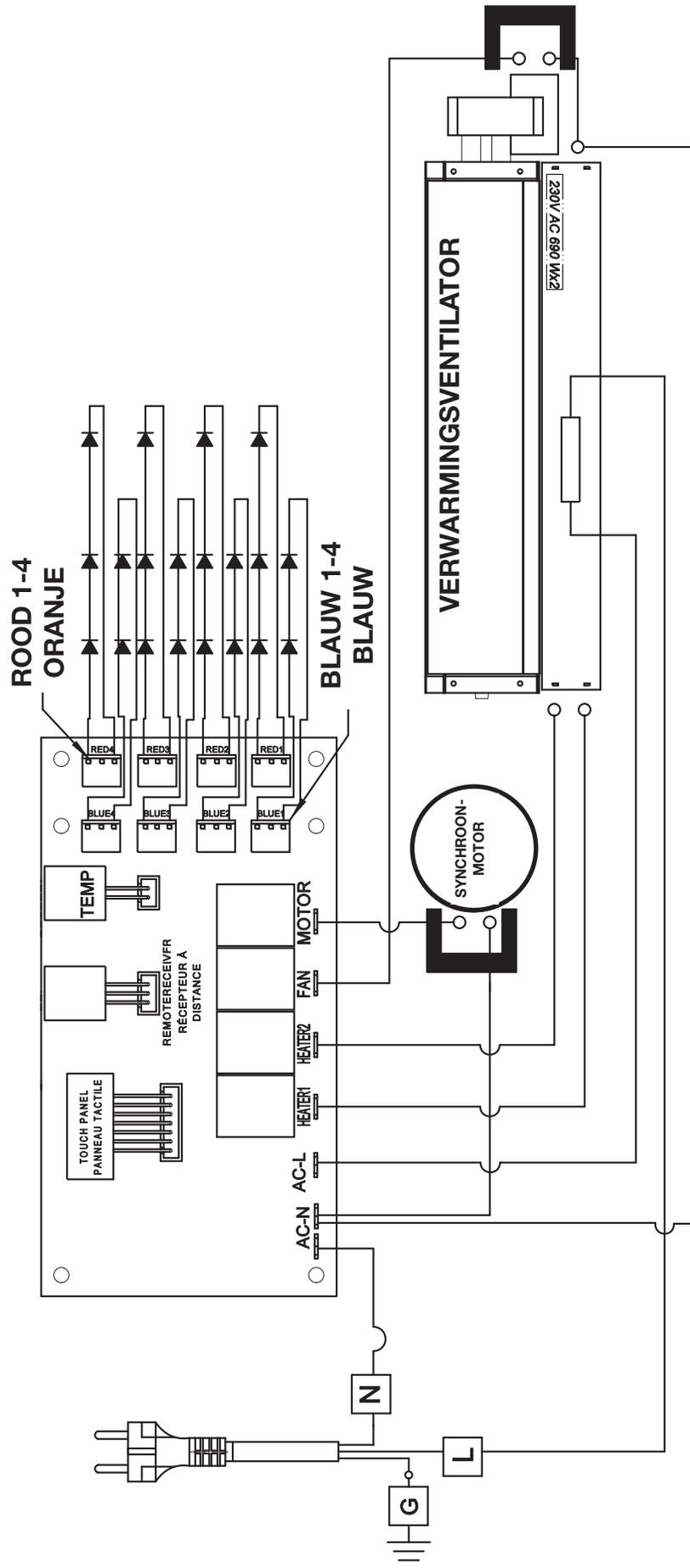
Het apparaat moet in overeenstemming met de plaatselijke elektrische voorschriften worden aangesloten en geaard.

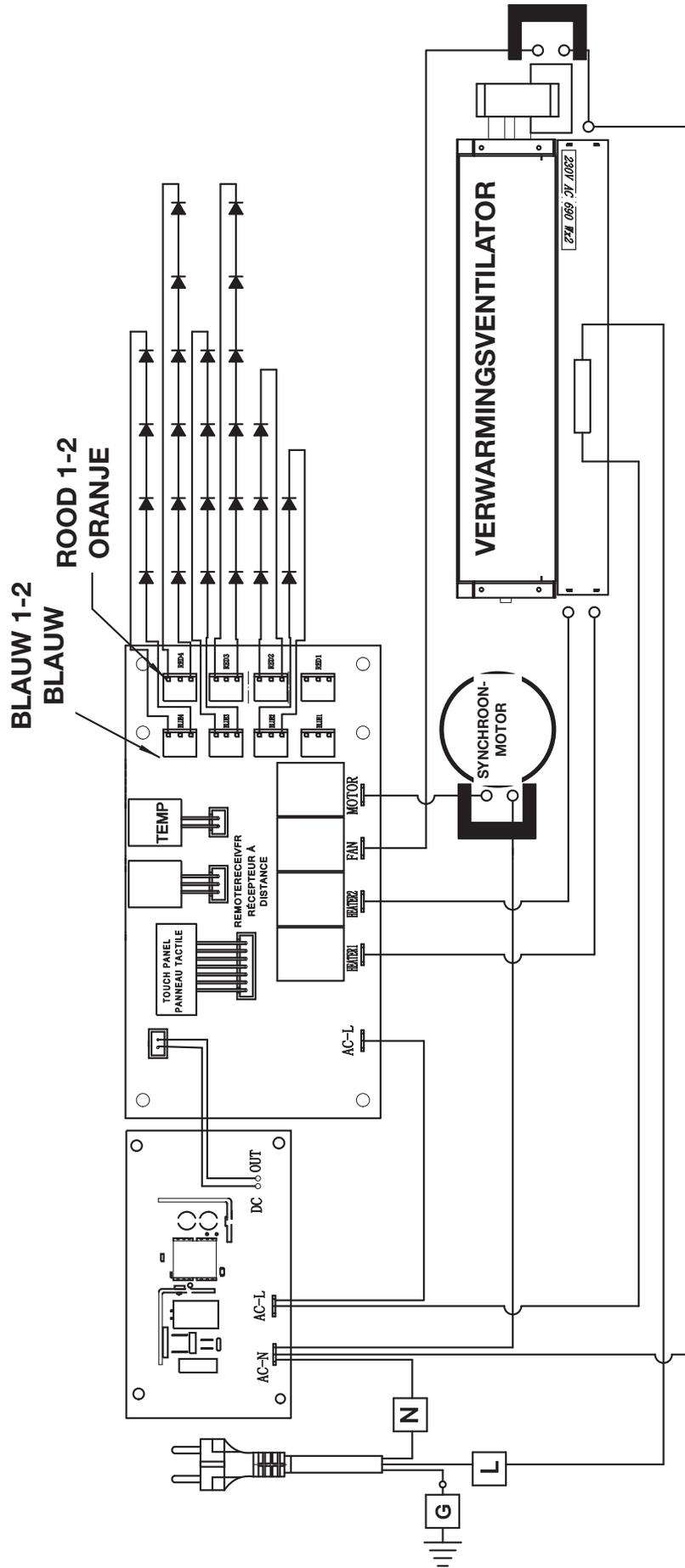
1. Verwijder de afdekplaat rechtsonder aan het apparaat door de drie schroeven te verwijderen (**afb. 4-1**).
2. Verwijder de kabelconnectors van het netsnoer. Het netsnoer mag worden weggegooid.
3. Tik het gat van 22,2 mm (7/8 inch) uit de nieuwe afdekplaat (meegeleverd) (**afb. 4-2**) en installeer een connector door de aansluitdoos. Klik de klem van de connector aan de voedingsdraden vast.
4. Gebruik de draadconnectors uit de montagekit om de groene aarddraden (G), de witte nuldraden (N) en de zwarte fase draden (L) aan te sluiten (**afb. 4-3 en 4-4**).
5. Plaats de afdekplaat weer terug met de drie schroeven die u in stap 1 hebt verwijderd.



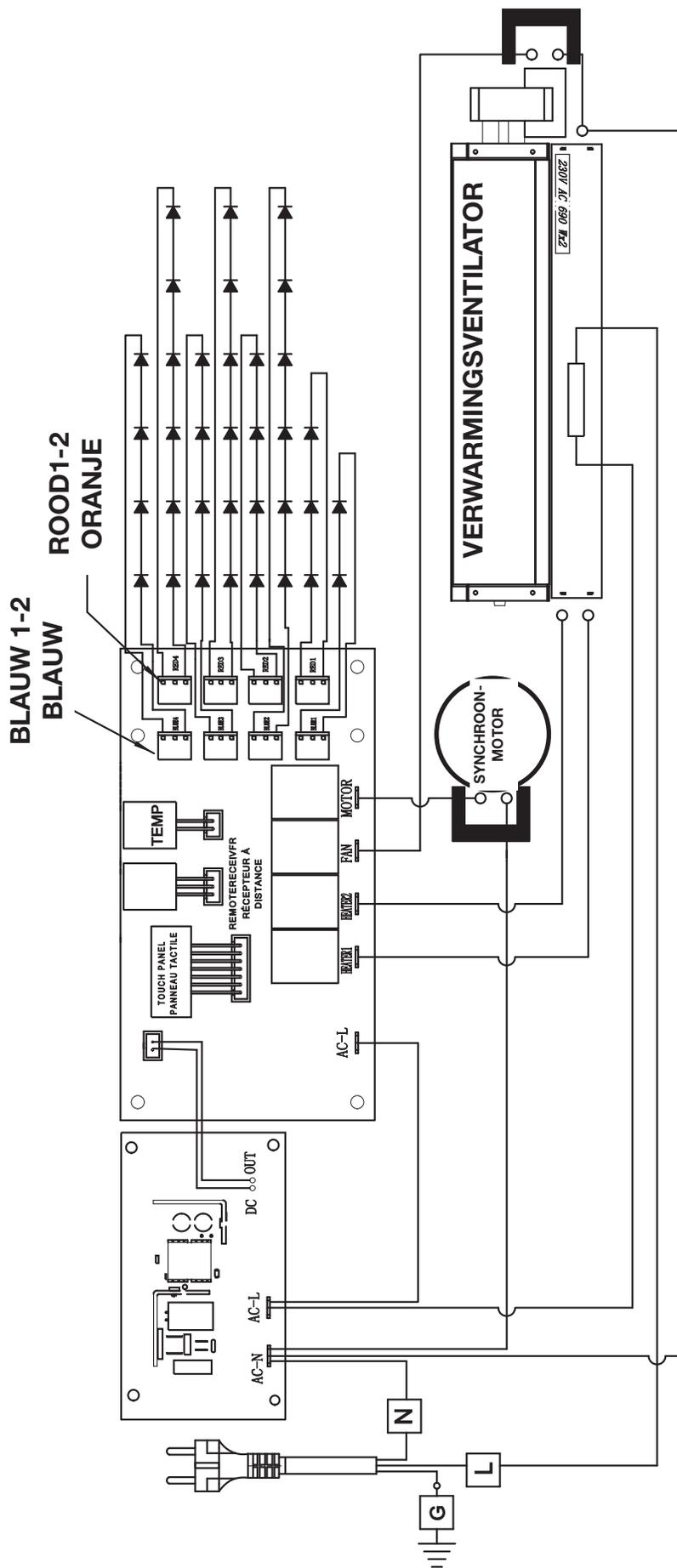


4.3 bedradingschema (NEFL50/60HI-EU)





4.5 bedradingschema (NEFL100HI-EU)



## 5.0 afwerking

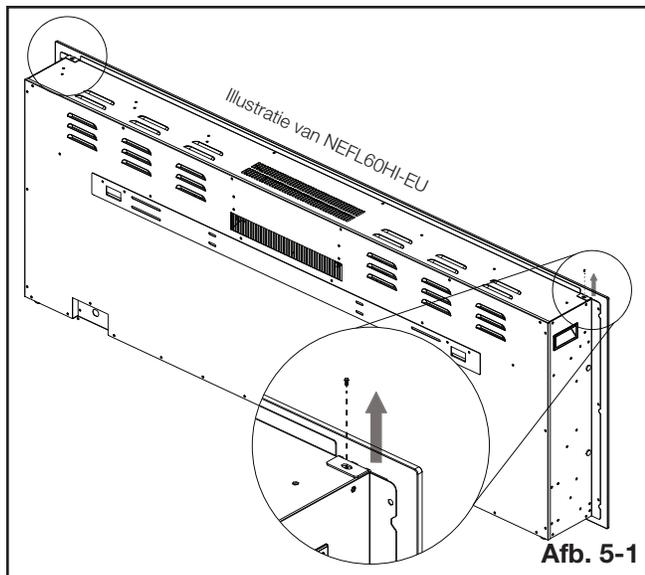
NL

### ⚠ WAARSCHUWING

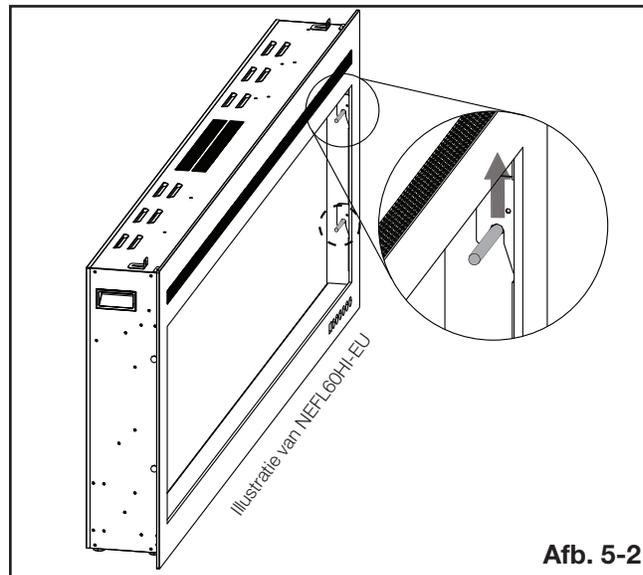
- Om herbouw te vermijden, moet de elektrische voeding volledig zijn aangelegd voordat de afwerking wordt voltooid.
- Ventilatieopeningen en luchtopeningen mogen onder geen beding worden afgedekt.

### 5.1 verwijderen/installeren van het glazen voorpaneel

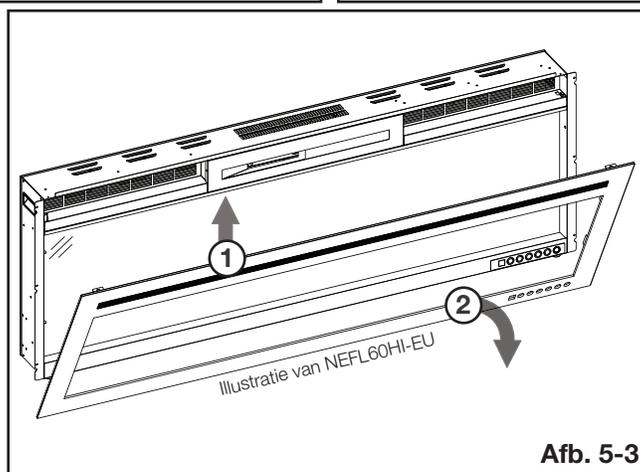
- A. Houd één hand op het glazen voorpaneel om te voorkomen dat het paneel valt en verwijder de twee schroeven (één per kant) aan de bovenkant van het apparaat (**afb. 5-1**). Leg de schroeven opzij.
- B. Til het glazen voorpaneel voorzichtig omhoog en bij het apparaat vandaan (**afb. 5-2 en 5-3**). Plaats het paneel met de voorkant omlaag op een zacht, niet-schurend oppervlak.
- C. Voer deze stappen in omgekeerde volgorde uit om het glazen voorpaneel terug te plaatsen.



Afb. 5-1



Afb. 5-2



Afb. 5-3

### 5.2 plaatsen van de kristallen decoratie

De glazen sierrand moet zijn verwijderd en het apparaat moet op de definitieve locatie zijn vastgezet voordat de kristallen sintels worden geplaatst.

- A. Reinig de kristallen decoratie met een mild sopje. Laat de kristallen decoratie vervolgens uitlekken, spoel ze af en droog ze af voordat u ze in de lade plaatst.
- B. Plaats de kristallen decoratie voorzichtig op de liggende kunststof plaat aan de voorkant van het apparaat, zoals afgebeeld. Verdeel de decoratie gelijkmatig over de hele breedte.
- C. Plaats het glazen voorpaneel weer terug.



Zodra het apparaat is aangesloten op een geaard stopcontact of een vaste bedrading naar een eigen voeding van 220-240 V is het klaar voor gebruik.

### opmerking:

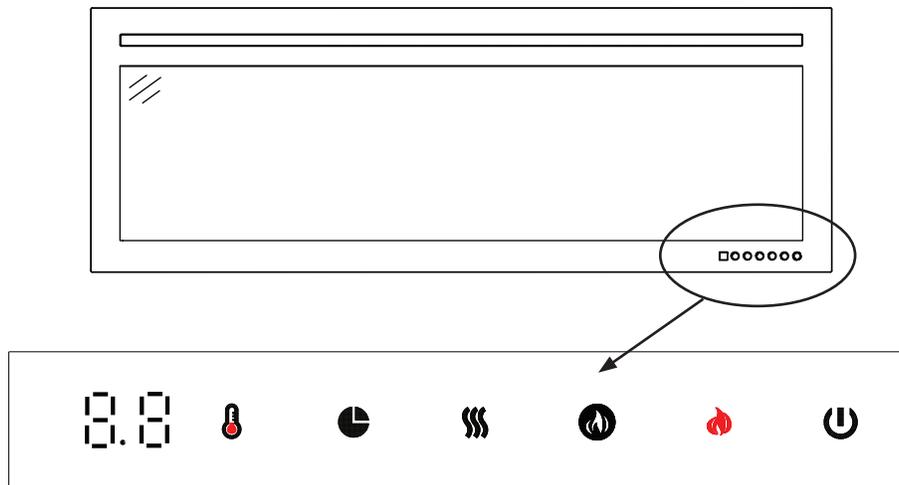
Zorg dat de stroomonderbrekers in de woning zijn ingeschakeld. Bij een stroomstoring verliest het apparaat de geheugenfunctie. Nadat de stroom weer is ingeschakeld, wordt het apparaat gereset naar de fabrieksmodus.

### 6.1 bediening via het aanraakscherm

#### ! WAARSCHUWING

- Verplaats of verwijder het glazen voorpaneel niet wanneer het apparaat is aangesloten en aan staat. Hierdoor werken de afstandsbediening en het aanraakscherm niet meer.

Het aanraakscherm wordt weergegeven door een reeks leds rechtsonder aan de voorzijde van het apparaat. De leds gaan uit als er 3 seconden geen functie is gewijzigd. De aan/uit-knop gaat uit.



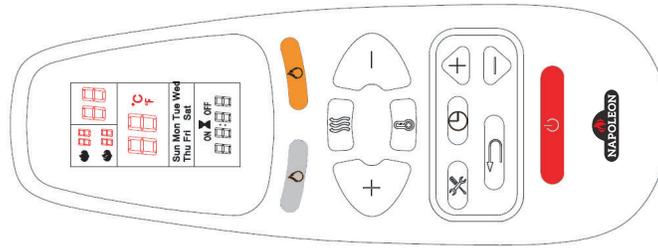
Bedieningspaneel

# bedieningsinstructies

NL

<p><b>Aan/uit</b></p>		<p>Hiermee schakelt u het apparaat aan/uit.</p>																																					
<p><b>Oranje vlam</b></p>		<p>Hiermee regelt u de helderheid van de oranje vlam.</p> <p><b>5 standen:</b>            F4 - Felst            F3            F2            F1            ↓            F0 - Minst fel</p>																																					
<p><b>Witte vlam</b></p>		<p>Hiermee regelt u de helderheid van de witte vlam.</p> <p><b>5 standen:</b>            F4 - Felst            F3            F2            F1            ↓            F0 - Minst fel</p>																																					
<p><b>Verwarming</b></p>		<p>Hiermee regelt u de verwarming. Druk op de knop om aan te zetten.</p> <p><b>4 standen:</b>            H0 - Geen verwarming of blower            bL - Alleen blower            H1 - Verwarming blaast warme lucht (750 W)            H2 - Verwarming blaast hete lucht (1500 W)</p> <p><b>OPMERKING:</b> De verwarmingsfuncties rouleren H0-bL-H1-H2. Houd de verwarmingsknop 5 seconden ingedrukt om de verwarming en temperatuur op de geselecteerde stand te vergrendelen. Houd de knop nogmaals 5 seconden ingedrukt om te ontgrendelen.</p>																																					
<p><b>Timer</b></p>		<p>Hiermee regelt u de timer. Druk op de knop tot de gewenste instelling is bereikt.</p> <p><b>9 standen:</b> 30, 1u, 2u, 3u, 4u, 5u, 6u, 7u, 8u</p>																																					
<p><b>Temperatuur</b></p>		<p>Hiermee regelt u de temperatuur.</p> <p>1. Druk eenmaal om de indicator op het aanraakscherm te activeren.            2. Druk nogmaals tot de gewenste instelling is bereikt. De instellingen worden als volgt op het digitale display weergegeven:</p> <table border="1" data-bbox="630 1617 1339 1738"> <thead> <tr> <th>Displaywaarde</th> <th>0</th> <th>1</th> <th>2</th> <th>3</th> <th>4</th> <th>5</th> <th>6</th> <th>7</th> <th>8</th> <th>9</th> <th>N</th> </tr> </thead> <tbody> <tr> <td rowspan="2">Temperatuur</td> <td>°C</td> <td>18</td> <td>19</td> <td>20</td> <td>21</td> <td>22</td> <td>23</td> <td>24</td> <td>25</td> <td>26</td> <td>27</td> <td>AAN</td> </tr> <tr> <td>°F</td> <td>64</td> <td>66</td> <td>68</td> <td>70</td> <td>72</td> <td>74</td> <td>76</td> <td>78</td> <td>80</td> <td>82</td> <td>AAN</td> </tr> </tbody> </table> <p><b>OPMERKING:</b> Houd de knop 5 seconden ingedrukt om de temperatuur van °C naar °F te veranderen en omgekeerd.</p>	Displaywaarde	0	1	2	3	4	5	6	7	8	9	N	Temperatuur	°C	18	19	20	21	22	23	24	25	26	27	AAN	°F	64	66	68	70	72	74	76	78	80	82	AAN
Displaywaarde	0	1	2	3	4	5	6	7	8	9	N																												
Temperatuur	°C	18	19	20	21	22	23	24	25	26	27	AAN																											
	°F	64	66	68	70	72	74	76	78	80	82	AAN																											

6.2 bediening met de afstandsbediening



<b>AAN/UIT</b>		Hiermee schakelt u het apparaat AAN/UIT.																																				
<b>VLAM - ORANJE</b>		Hiermee regelt u de helderheid van de oranje vlam. <b>6 standen:</b> F5-F4-F3-F2-F1-F0. De vlam dimt van F5 tot F1. F5 is de helderste stand en F0 is uit.																																				
<b>VLAM - WITTE</b>		Hiermee regelt u de helderheid van de witte vlam. <b>6 standen:</b> F5-F4-F3-F2-F1-F0. De vlam dimt van F5 tot F1. F5 is de helderste stand en F0 is uit.																																				
<b>VERWARMING</b>		Hiermee schakelt u de verwarming AAN/UIT. (H0) - Geen verwarming of blower. (BL) - Alleen blower. (H1) - Verwarming blaast warme lucht (H2) - Verwarming blaast hete lucht <b>OPMERKING:</b> De verwarmingsfuncties rouleren H0-BL-H1-H2. Houd de verwarmingsknop 5 seconden ingedrukt om de verwarming en temperatuur op de geselecteerde stand te vergrendelen. Houd de knop nogmaals 5 seconden ingedrukt om de verwarmings- en temperatuurinstelling te ontgrendelen.																																				
<b>TIMERINSTELLINGEN OP DE AFSTANDBEDIENING</b>																																						
: <b>Timer:</b> Geeft de huidige dag, tijd en week weer. Druk op de knop om de timerinstellingen in te voeren of te bevestigen.																																						
: <b>Instellingen:</b> Druk hierop om naar de volgende stap te gaan (gebruik met de timerknop). Druk hierop om de weektimer te bevestigen.																																						
: <b>Terug:</b> Druk hierop om de timerinstellingen te wissen. Druk hierop om terug te keren naar de vorige stap (gebruik met de instellingenknop).																																						
: <b>Omhoog en omlaag</b> (gebruik met de instellingenknop).																																						
<b>Lcd-scherm</b>																																						
<b>Daag van de week</b> ma, di, wo, do, vr, za, zo		<b>Opmerking:</b> De functies kunnen alleen worden gewijzigd als de bijbehorende letters of cijfers knipperen.																																				
<b>Tijdweergave</b>																																						
<b>Huidige tijd/timer</b> Van 00: 00 tot 24 <b>OPMERKING:</b> 00-12:00 is AM / 13:00-24:00 is PM																																						
<b>TEMPERATUUR</b>		1. Druk eenmaal op de knop om de indicator op het aanraakscherm AAN te zetten. 2. Druk op de knop tot de gewenste instelling is bereikt. De instellingen worden als volgt op het digitale display weergegeven:: <table border="1"> <thead> <tr> <th>Displaywaarde</th> <th>0</th> <th>1</th> <th>2</th> <th>3</th> <th>4</th> <th>5</th> <th>6</th> <th>7</th> <th>8</th> <th>9</th> <th>N</th> </tr> </thead> <tbody> <tr> <td>Temperatuur °C</td> <td>18</td> <td>19</td> <td>20</td> <td>21</td> <td>22</td> <td>23</td> <td>24</td> <td>25</td> <td>26</td> <td>27</td> <td>ON</td> </tr> <tr> <td>°F</td> <td>64</td> <td>66</td> <td>68</td> <td>70</td> <td>72</td> <td>74</td> <td>76</td> <td>78</td> <td>80</td> <td>82</td> <td>ON</td> </tr> </tbody> </table> <b>OPMERKING:</b> Door de knop 5 seconden ingedrukt te houden, schakelt u de temperatuur van °C naar °F en omgekeerd.	Displaywaarde	0	1	2	3	4	5	6	7	8	9	N	Temperatuur °C	18	19	20	21	22	23	24	25	26	27	ON	°F	64	66	68	70	72	74	76	78	80	82	ON
Displaywaarde	0	1	2	3	4	5	6	7	8	9	N																											
Temperatuur °C	18	19	20	21	22	23	24	25	26	27	ON																											
°F	64	66	68	70	72	74	76	78	80	82	ON																											

## 6.3 timerinstellingen op de afstandsbediening

### 6.3.1 huidige dag en tijd instellen

1. Druk eenmaal op . Wanneer 'MA' (maandag) gaat knipperen, selecteert u met de huidige dag.
2. Druk op . Wanneer het uur gaat knippen, selecteert u met het huidige uur.
3. Druk nogmaals op . Wanneer de minuten gaan knipperen, selecteert u met de huidige minuten.
4. Druk nogmaals op . De huidige tijd is nu ingesteld.

### 6.3.2 AAN/UIT-tijd en -temperatuur op een wekelijkse cyclus instellen

1. Druk op . Wanneer 'MA' gaat knipperen, drukt u drie keer op . Wanneer 'AAN' gaat knipperen, selecteert u met het gewenste uur en de gewenste minuten waarop de verwarming moet inschakelen. U kunt altijd op  drukken om  de cijfers te wissen en de 'AAN'-timer uit te schakelen.

**opmerking:**

De timer kan alleen worden ingesteld in stappen van 30 minuten (bijv. 00:00 - 00:30, 00:30 - 01:00 enz.).

2. Druk op . Wanneer 'UIT' gaat knipperen, selecteert u met het gewenste uur en de gewenste minuten waarop de verwarming moet uitschakelen. U kunt altijd op  drukken om de 'UIT'-timer uit te schakelen.

**opmerking:**

Als de temperatuur al eerder is ingesteld, wordt die waarde weergegeven in plaats van '18'.

3. Druk nogmaals op . Wanneer '18' gaat knipperen, selecteert u met de gewenste temperatuur voor maandag.
4. Druk nogmaals op . Wanneer 'TUE' op het scherm verschijnt en 'AAN' gaat knipperen, selecteert u met het gewenste uur en de gewenste minuten waarop de verwarming op dinsdag moet inschakelen.
5. Druk nogmaals op . Wanneer 'UIT' gaat knipperen, selecteert u met het gewenste uur en de gewenste minuten waarop de verwarming op dinsdag moet uitschakelen.
6. Druk nogmaals op . Wanneer '18' gaat knipperen, selecteert u met de gewenste temperatuur voor dinsdag.
7. Herhaal stap 1 t/m 6 om de 'AAN/UIT'-tijd en temperatuur voor woensdag, donderdag, vrijdag, zaterdag en zondag in te stellen.
8. Druk op  of om  het programmeren te voltooien waarbij u de afstandsbediening op de ontvanger in het midden van het apparaat richt. Het apparaat piept één keer om te bevestigen dat het programmeren is geslaagd.

### 6.3.3 waarschuwing voor open raam

Als de kamertemperatuur binnen drie minuten tien graden daalt, gaat het apparaat ervan uit dat er vlakbij een raam openstaat. Om energie te besparen, schakelt de verwarming automatisch over van hoge warmte naar lage warmte. Als de verwarming al op lage warmte staat, wordt het apparaat volledig uitgeschakeld.

Wanneer u van hoge warmte naar lage warmte overschakelt, piept het apparaat drie keer en knippert '88' drie keer op het digitale display, waarna de huidige verwarmingsstatus wordt weergegeven.

Wanneer u overschakelt van lage warmte naar uit, piept het apparaat drie keer en blijft '88' op het digitale display knipperen.

Raadpleeg het hoofdstuk 'bediening met de afstandsbediening' om de verwarmingsfunctie te resetten.

### **WAARSCHUWING**

- Nalaten de onderdelen in overeenstemming met deze handleiding te plaatsen of uitsluitend onderdelen te gebruiken die speciaal voor dit apparaat zijn goedgekeurd, kan materiële schade of persoonlijk letsel tot gevolg hebben.

Neem contact op met uw dealer voor vragen over prijzen en ons beleid wat betreft vervangende onderdelen. Normaal gesproken kunnen alle onderdelen via uw erkende dealer/distributeur worden besteld.

#### **Voor toekenning van een claim voor vervangende onderdelen onder garantie moet een fotokopie van de originele factuur worden overlegd.**

Vermeld bij het bestellen van vervangingsonderdelen altijd de volgende informatie:

- Model en serienummer van het apparaat
- Installatiedatum van het apparaat
- Onderdeelnummer
- Omschrijving van het onderdeel
- Afwerking

**Onderdelen, onderdeelnummers en verkrijgbaarheid kunnen zonder kennisgeving worden gewijzigd.**

**Onderdelen waarvan is vastgesteld dat ze op voorraad zijn, worden voor de meeste bestemmingen binnen 2 tot 5 werkdagen geleverd.**

**Onderdelen die niet op voorraad zijn, worden in de meeste gevallen binnen 2 tot 4 weken geleverd.**

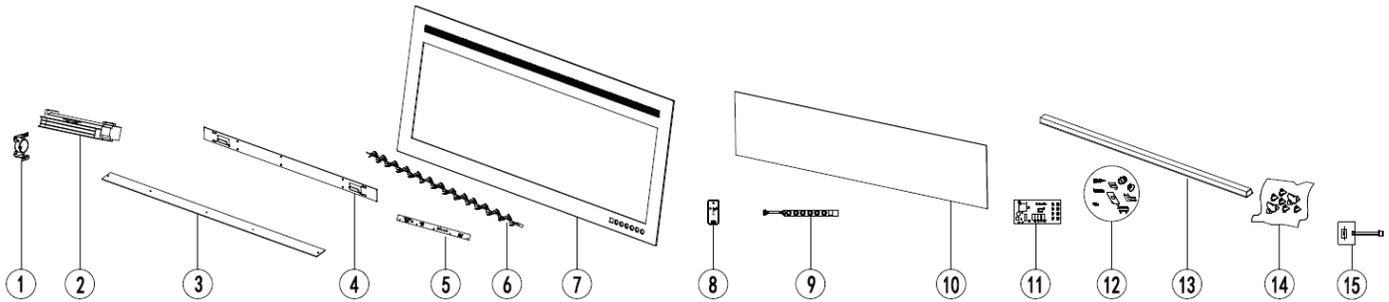
**Onderdelen die worden aangeduid als 'SO' (special order) zijn speciale bestellingen en kunnen een levertijd tot 90 dagen hebben.**

#### **opmerking:**

Wees voorzichtig bij het verwijderen en afvoeren van gebroken glas of beschadigde onderdelen. Verwijder gebroken glas uit het apparaat met een stofzuiger voordat u het apparaat gebruikt.

# vervangingsonderdelen

## NL 7.1 Overzicht van de NEFL42/50/60/72/100HI-EU



Items kunnen anders zijn dan afgebeeld.

Ref.	Omschrijving	Onderdeelnummer					Op voorraad
		NEFL42HI-EU	NEFL50HI-EU	NEFL60HI-EU	NEFL72HI-EU	NEFL100HI-EU	
1	Synchronmotor	W435-0105-SER					Ja
2	Blower- en verwarmingseenheid	W010-4774-SER					Ja
3	Plastic strip	W497-1598-SER	W497-1599-SER	W497-1600-SER	W497-1604-SER	W497-1605-SER	Ja
4	Steun voor wandmontage	W080-1616		W080-1621	W080-1616	W080-1621	Ja
5	Led-lamp	W405-0055+ W405-0056					Ja
6	Reflectorspil	W527-0036-SER	W527-0037-SER	W527-0038-SER	W527-0039-SER	W527-0040-SER	Ja
7	Glazen voorpaneel	W300-0304-SER	W300-0305-SER	W300-0306-SER	W300-0308-SER	W300-0309-SER	Ja
8	Afstandsbediening	W190-0189-SER					Ja
9	Bedieningspaneel (met ontvanger voor afstandsbediening)	W010-4541-SER					Ja
10	Acryl kunststof paneel	W475-6136-SER	W475-6137-SER	W475-6138-SER	W475-6139-SER	W475-6140-SER	Ja
11	Printplaat	W190-0190-SER			W190-0191-SER		Ja
12	Montagekit	W370-0185-SER			W370-0188-SER		Ja
13	Snoerbeschermer	W200-0572					Ja
14	Kristallen Decoratie	W497-1601-SER	W497-1602-SER	W497-1603-SER	W497-1606-SER	W497-1607-SER	Ja
15	Thermostaat	W690-0021					Ja
16*	VK-adapter	W005-0023-SER					
17*	Zwitserse adapter	W005-0024-SER					

\* Onderdelen niet afgebeeld.

## ! WAARSCHUWING

- Schakel het apparaat volledig uit en laat het afkoelen voordat u onderhoud uitvoert. Dit elektrische apparaat mag alleen worden onderhouden en gerepareerd door een erkende onderhoudsmonteur.

symptoom	probleem	oplossing
Het apparaat gaat niet aan als de aan/uit-knop/schakelaar in de stand 'aan' wordt gezet.	Het apparaat is niet aangesloten op een stopcontact.	Controleer of de stekker in het stopcontact zit.
	Vaste bedrading is niet correct aangesloten.	Zie het hoofdstuk 'installeren via vaste bedrading'.
	Het apparaat is oververhit geraakt en de thermische beveiliging is geactiveerd.	Haal de stekker uit het stopcontact of schakel de stroomonderbreker uit, laat het apparaat 15 minuten afkoelen en steek vervolgens de stekker weer in het stopcontact of schakel de stroomonderbreker in.
	Probleem met de hoofdprintplaat.	Controleer de printplaat en vervang deze zo nodig.
Het apparaat schakelt uit en gaat niet meer aan.	De stroomonderbreker van de woning is geactiveerd.	Reset de stroomonderbreker.
	De zekering van het apparaat is doorgebrand.	Vervang de zekering.
	Het apparaat is oververhit geraakt en de thermische beveiliging is geactiveerd.	Haal de stekker uit het stopcontact of schakel de stroomonderbreker uit, laat het apparaat 15 minuten afkoelen en reset thermische beveiliging. Steek vervolgens de stekker weer in het stopcontact of schakel de stroomonderbreker in.
Het apparaat heeft de standaardinstellingen hersteld.	Stroomstoring.	Programmeer het apparaat opnieuw op de oorspronkelijke instellingen (niet van toepassing op alle apparaten).
De afstandsbediening werkt niet.	De batterijen zijn (bijna) leeg.	Vervang de batterijen in de afstandsbediening.
	Ontvanger voor de afstandsbediening werkt niet.	Zorg dat de ontvanger voor de afstandsbediening niet geblokkeerd is. Vervang het bedieningspaneel.
Er komt geen warme lucht uit het apparaat.	Verwarmingsstand is niet geselecteerd.	Zie het hoofdstuk 'bedieningsinstructies'.
	Verwarming is uitgeschakeld.	Zie het hoofdstuk 'bedieningsinstructies'.
	De kamertemperatuur is hoger dan de apparaatinstelling (indien ingesteld op kamertemperatuur).	Reset de temperatuurinstelling.
	Het apparaat is oververhit geraakt en de thermische beveiliging is geactiveerd.	Haal de stekker uit het stopcontact of schakel de stroomonderbreker uit. Laat het apparaat 15 minuten afkoelen.
	Vaste bedrading is niet correct aangesloten.	Zie het hoofdstuk 'installeren via vaste bedrading'.
	Probleem met de verwarming.	Controleer de blower en de verwarming en vervang ze zo nodig.
De verwarming schakelt automatisch uit.	De kamer is te warm.	De verwarming is uitgerust met een ingebouwde thermostaat zodat deze automatisch wordt uitgeschakeld zodra de vooraf ingestelde temperatuur is bereikt. De verwarming wordt ook automatisch ingeschakeld als de kamertemperatuur onder de vooraf ingestelde temperatuur daalt.

# probleemoplossing

NL

Zwakke of geen vlam.	Helderheid van de vlam niet geselecteerd.	Zie het hoofdstuk 'bedieningsinstructies'.
	Probleem met de led-lampen van de vlam.	Controleer de led-lamp en vervang deze zo nodig.
	Probleem met de hoofdprintplaat.	Controleer de hoofdprintplaat en vervang deze zo nodig.
Vlam beweegt niet.	Motor is vastgelopen/defect.	Schakel het apparaat in/uit. Raadpleeg een dealer als het probleem zich blijft voordoen.
Kristallen gloeien of dimmen niet.	De helderheid is niet geselecteerd.	Zie het hoofdstuk 'bedieningsinstructies'.
	Probleem met de led-lamp van de decoratie.	Controleer de leds onder de kristallen decoratie en vervang ze zo nodig.
	Probleem met de hoofdprintplaat.	Controleer de hoofdprintplaat en vervang deze zo nodig.
Led knippert 'OH'.	Het apparaat is oververhit geraakt en de thermische beveiliging is geactiveerd.	Haal de stekker uit het stopcontact of schakel de stroomonderbreker uit. Laat het apparaat 15 minuten afkoelen en steek vervolgens de stekker weer in het stopcontact of schakel de stroomonderbreker in. Raadpleeg uw dealer als het probleem zich blijft voordoen.

Elektrische apparaten van **Napoleon** worden vervaardigd volgens de strikte wereldwijd erkende norm ISO 9001 : 2015 voor kwaliteitsmanagementsystemen.

**Napoleon**-producten zijn ontworpen met superieure componenten en materialen en worden samengesteld door getrainde vakmensen die hun werk met trots uitvoeren. Na montage en voordat het apparaat wordt verpakt, laten we het complete apparaat grondig door een erkende en geautoriseerde installateur, servicedienst of leverancier inspecteren om te verzekeren dat u als klant het kwaliteitsproduct ontvangt dat u van **Napoleon** verwacht.

## Beperkte garantie van Napoleon Electric Appliance

Elektrische componenten en wearables worden gedekt en **Napoleon** levert tijdens de eerste 2 jaar van de beperkte garantie gratis vervangende onderdelen. Dit omvat: ventilator/verwarmingen, motoren, schakelaars, nylon lageronderdelen, afstandsbedieningen en led-lampen.\*

Gloeilampen en zekeringen vallen NIET onder de garantie.

Arbeidskosten voor reparaties onder deze garantie worden niet gedekt.

\* De bouw van modellen varieert. De garantie is alleen van toepassing op componenten die met uw specifieke apparaat

## Voorwaarden en beperkingen

**Napoleons** garantie op productiefouten geldt alleen voor de oorspronkelijke koper. U hoeft uw garantie niet te registreren. Bij een garantieclaim kunt u, samen met het model- en serienummer, gewoon uw aankoopbewijs verstrekken. Op voorwaarde dat de aankoop is gedaan via een erkende **Napoleon**-dealer zijn de volgende voorwaarden en beperkingen op uw apparaat van toepassing:

De garantiedekking begint op de datum van de oorspronkelijke installatie.

Deze fabrieksgarantie is niet overdraagbaar en mag onder geen beding door een van onze vertegenwoordigers worden verlengd.

De installatie moet worden uitgevoerd volgens de bij het product geleverde installatie-instructies en alle lokale en nationale bouw- en brandverordeningen.

Deze beperkte garantie dekt geen schade ten gevolge van verkeerd gebruik, gebrek aan onderhoud, ongevallen, wijzigingen, misbruik of verwaarlozing. De garantie is nietig wanneer er onderdelen van andere fabrikanten zijn geïnstalleerd. Verder dekt deze beperkte garantie geen krassen, deuken, corrosie of verkleuring die worden veroorzaakt door overmatige hitte of schurende en chemische reinigingsmiddelen, noch afbrokking van geëmailleerde onderdelen of mechanische schade aan PHAZER™-houtblokken.

Deze garantie is alleen tijdens de eerste twee jaar geldig voor reparatie of vervanging van garantieonderdelen die materiaal- of fabricagefouten vertonen, op voorwaarde dat het product volgens de bedieningsinstructies en onder normale omstandigheden is gebruikt.

**Napoleon** is niet verantwoordelijk voor installatie-, arbeids- of andere kosten voor het opnieuw installeren van een garantieonderdeel; zulke kosten vallen niet onder deze garantie. Onverminderd de bepalingen in de beperkte garantie is **Napoleon** onder deze garantie zoals hierboven beschreven, niet aansprakelijk voor incidentele, gevolgschade of indirecte schade.

Deze garantie beschrijft de verplichtingen en aansprakelijkheid van **Napoleon** betreffende het elektrische apparaat van **Napoleon** en alle andere expliciete of impliciete garanties met betrekking tot dit product, de onderdelen of accessoires worden uitgesloten.

**Napoleon** aanvaardt geen andere aansprakelijkheden met betrekking tot de verkoop van dit product, noch machtigt Napoleon derden om dergelijke aansprakelijkheid namens het bedrijf te aanvaarden.

Napoleon is niet aansprakelijk voor schade aan het apparaat, de messing rand of andere onderdelen ten gevolge van water, het weer, langdurig vocht, condensatie, schadelijke chemicaliën of reinigingsmiddelen .

**Napoleon** behoudt zich het recht voor om een product of onderdeel door zijn vertegenwoordiger te laten controleren voordat een garantieclaim wordt erkend.

Voor onderdelen die volgens de beperkte garantiepolis worden vervangen, kan slechts één claim worden ingediend.

Alle onderdelen die onder de garantie worden vervangen, worden voor een periode van 90 dagen vanaf de installatiedatum gegarandeerd.

De fabrikant kan eisen dat defecte onderdelen of producten worden geretourneerd of dat er digitale foto's worden verstrekt ter ondersteuning van de claim. Geretourneerde producten moeten prepaid naar de fabrikant worden verzonden voor beoordeling. Als een product defect blijkt te zijn, zal de fabrikant het betreffende defect repareren of vervangen.

Voordat u uw apparaat of defecte onderdelen verzendt, moet uw dealer een autorisatienummer aanvragen. Alle goederen die zonder autorisatie worden verzonden, worden geweigerd en teruggestuurd naar de afzender.

Verzendkosten worden niet door deze garantie gedekt.

Voor aanvragen van garantieservice bij een dealer kunnen extra servicekosten in rekening worden gebracht.

Vanwege continue productverbeteringen kunnen alle specificaties en ontwerpen kunnen zonder voorafgaande kennisgeving worden gewijzigd. **Napoleon** is een gedeponeed handelsmerk van Wolf Steel Ltd.

# NAPOLEON BIEDT AL MEER DAN 40 JAAR PRODUCTEN VOOR WOONCOMFORT



**WEEE:**



**Betekenis van doorgekruiste vuilniscontainer:**

**Gooi elektrische apparaten niet weg bij het ongesorteerd huishoudelijk afval. Breng ze naar de speciale inzamelpunten. Vraag bij de gemeente na welke inzamelpunten er zijn. Als elektrische apparaten op een vuilnisbelt of stortplaats belanden, kunnen gevaarlijke stoffen in het grondwater lekken en in de voedselketen terecht komen, en dat is schadelijk voor uw gezondheid en welzijn.**

**Als u oude apparaten door nieuwe vervangt, is de dealer wettelijk verplicht om uw oude apparaat gratis in te nemen.**



7200 Route Transcanadienne, Montréal, Québec H4T 1A3, Canada  
24 Napoleon Road, Barrie, Ontario L4M 0G8, Canada  
214 Bayview Drive, Barrie, Ontario L4N 4Y8, Canada  
103 Miller Drive, Crittenden, Kentucky 41030, VS  
De Riemsdijk 22, 4004 LC Tiel, Nederland  
napoleon.com