

HEAT1

Good for you and the environment



ECO pro-line 2000W



Instructions
Brugsanvisning
Instruktions manual
Ohjeet



General safety instructions

Carefully read through the instruction manual prior to installation and store the manual safely. Keep the manual for any questions of future use of your product. The product is designed and manufactured in compliance with European standards: CE, RoHS. The product complies with the essential requirements of the Directives: EN 60335-2-30:2009, EN 60335-1:2012.

- This heater can be used by children aged from 8 years and above and persons with reduced physical, sensory or mental capabilities or lack of experience and knowledge if they have been given supervision or instruction concerning use of the heater in a safe way and understand the hazards involved. Children must not play with the heater. Cleaning and user maintenance must not be performed by unsupervised children. Children younger than 3 years old must be kept away from the heater unless they are continuously monitored. Children older than 3 and younger than 8 years may only switch the heater ON and OFF if they are monitored or have been taught how to use the heater safely and have understood the resulting dangers; this provided that the heater is placed or installed in its normal place of use. Children older than 3 and younger than 8 years must not plug the heater into the wall socket, adjust the heater, clean the heater and/or perform any user maintenance.
- Extreme caution is necessary when any heater is used by or near children or invalids and whenever the heater is left operating and unattended.
- CAUTION - Some parts of this product can become very hot and cause burns. Particular attention has to be given where children and vulnerable people are present.
- The user may connect the heater to the power supply when the connection is to a normal grounded power outlet using the standard power cord of the unit. If the power cord needs to be modified or the heater is to be permanently connected to an electrical outlet, installation must be carried out by an authorized electrician.
- The heater can only be connected to a timer that will switch off the device after the set time. Do not connect the heater to a timer that starts the heater in a timed manner. The user must always personally control the starting of the heater.
- When using electrical appliances, basic safety precautions should always be followed to reduce the risk of fire, electric shock, or injury to persons, including the following:.
- This heater is hot when in use .To avoid burns, do not let bare skin touch hot surfaces. If provided, use handles when moving this heater. Keep combustible materials, such as furniture, pillows, bedding, papers, clothes and curtains at least 90 cm from the front of the heater.
- Always unplug heater when not in use
- Do not operate any heater with a damaged cord or plug or after the heater malfunctions, has been dropped or damaged in any manner. Discard heater, or return to authorized service facility for examination and/or repair.
- Do not run cord under carpeting. Do not cover cord with throw rugs, runners, or similar coverings. Do not route cord under furniture or appliances. Arrange cord away from traffic area and where it will not be tripped over.
- Do not use the heater in the immediate surroundings of a bath, a shower or a swimming pool.
- Do not use this heater outdoor during bad weather like rain, storm or snow.
- Connect to properly grounded outlets only.
- Do not place the heater directly below a socket outlet.
- To disconnect heater, turn controls off, then remove plug from outlet.
- Do not insert or allow foreign objects to enter any ventilation or exhaust opening as this may cause an electric shock or fire, or damage the heater.
- To prevent a possible fire, do not block air intakes or exhaust in any manner. Do not use on soft surfaces, like a bed, where openings may become blocked.
- A heater has hot and arcing or sparking parts inside. Do not use it in areas where gasoline, paint, or flammable liquids are used or stored.

- Check if the voltage indicated on the nameplate of the appliance corresponds to the local mains voltage before you connect the appliance.
- Do not use the heater close to curtains and other combustible materials.
- Do not touch the appliance. Caution! Risk of scald injury!
- In case of improper use, there is a risk of electrical shock and/or fire hazard. Operation of the appliance must be discontinued and remove the mains plug immediately. Do not try to repair the appliance by your-self. Please contact with the service agent or a suitably qualified electrician for maintenance.

Maintenance and cleaning

- Disconnect the plug from the socket before cleaning or when the product is not in use for prolonged periods of time.
- Do not clean the product until 60 minutes after it is turned off.
- When cleaning, do not spray cleaners or water directly into the product.
- Apply the cleaner on a cloth and wipe the product.
- Regularly check the cord for damages and ensure that the plug is clean.
- If the power cord, lamp or other electrical parts needs replacing, this must be done only by a professional electrician.

Troubleshooting

Follow the troubleshooting steps listed below:

- Make sure the power cord is connected correctly.
- Check the cable for any ruptures.
- Make sure the ON/OFF switch has been switched OFF.
- Check whether the bulb has blown.
- If the product is turned off due to overheating caused by improper use (overheat sensor), the product must be disconnected from the socket outlet and cool off. Check the product for defects after 30 minutes of cooling. If there are no visible defects, try to reconnect the product again. Please contact the place of purchase if this did not solve your problem.

Storage

- Do not route the cord when heater is in storage, or the heater is not in use.

Disposal



European directive 2002/96/EC on Electrical and Electronic Equipment Waste (WEEE), requires that old household appliances are not thrown into the normal municipal waste stream. The appliances should be collected separately to maximize the recovery and recycling of materials and reduce the impact on human health and the environment. The symbol of the “crossed off dustbin” is stamped on the product to recall the obligations of the separate collection. Consumers should contact their dealer or local authorities regarding the procedure to be followed for the removal of their product.

Customer Service

- Repairs must be carried out by authorized specialists, thus ensuring electrical safety.
- Please contact with the service agent or a suitably qualified electrician.
- Improper repairs could lead to danger to the user.
- This warranty does not cover damage of failure which results from alteration, accident, misuse, abuse, neglect, or improper maintenance.
- In line with our policy of continuous product development we reserve the right to change the product and documentation specifications without notice.

Brief Introduction

This product is infrared radiant heater with remote control and IP 65 approved .It is almost unlimited used in outdoor ,such as open bars, courtyard, plaza, station, and construction site in winter etc. This patio heater is energy-efficient, convenient, environmentally friendly and for better life etc. And add the Bluetooth speakers and LED lighting. Connecting your mobile phone or PC then can play the music and control LED lighting.

Specifikationer



| | |
|------------------------------|-----------------|
| Specification: | LHRR009-200KB-S |
| Voltage (V): | 220-240V~ |
| Power consumption (W): | 2000W |
| IP-code | IP65 |
| Infrared receiving Angle: | 60°±5° |
| Bluetooth receiver distance: | 10 meter |
| The speaker power: | 2 x 6 W |

Bluetooth heat connecting steps :

When you have downloaded the Sunkare APP, please make sure that the patio heater is in standby position (backside of the patio heater and the blue light goes on)

- Press ON at the remote control.
- Open the Bluetooth function in your iPhone, iPad or Android device, find the "LIANG DI" in the device lists, then connecting.
- First connecting, you need to enter passcode 12345678, this can later be changed in the APP.
- Press in the menu HEAT1 and swipe to the right, green light will turn on.
- Go back to the menu (sun symbol) and activate the green light, now you can adjust the heat.
- Timer: possibility for automatic turn on/off .
- Colour symbol: not active for this patio heater.
- Wheel menu: various setting options (change password etc)
- Press off and the heater will go to standby mode.

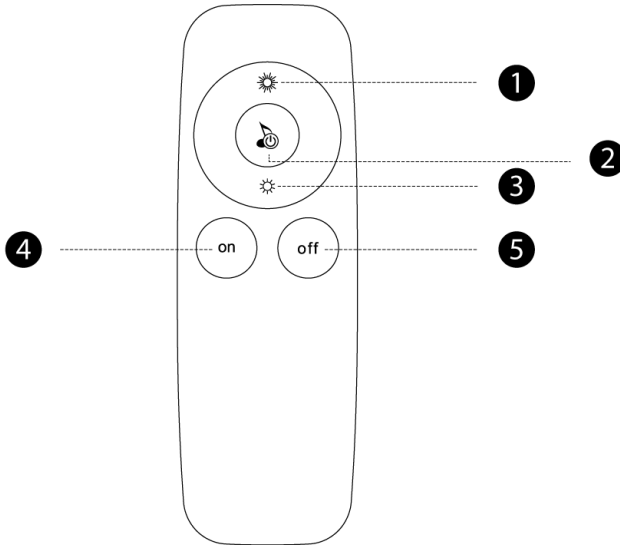
Bluetooth speakers connecting steps:

- In standby position, short press the remote control button,  turn on the power of the Bluetooth speakers, then long press this button in order to enter into Bluetooth pairing mode.
- open the Bluetooth function in your iPhone, iPad or Android device, find the "LIANG DI" in the device lists, then connecting.
- Connecting successful indicate with a loud tone, then you can play music from your iPhone, iPad or Android device.
- Press button  again and it will turn off the Bluetooth speaker.
- Some of above function will also be available by using the node character in the APP.

Reset Operation

- Press the Reset button shortly, the power will be adjusted accordingly (Low, Middle ,High, ON/OFF)
- Press the Rest button for at least 4 seconds ,the heater will restore factory settings

Remote Control Instructions



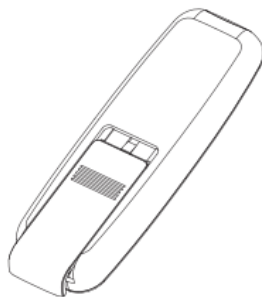
Button

Feature

| | |
|-----------------------------------|---|
| 1. Up Arrow | Up one heating level |
| 2. Turn on/off the speaker | Short press, turn on/off the speaker Long press, enter into Bluetooth pairing mode |
| 3. Down Arrow | Down one heating level |
| 4. ON | To switch the heater on: Press ON. The patio heater has a soft start function of 33% power. 4 seconds after the heater has been turned on, it will automatically switch to the last heating level used. In case of the first-time use, after 4 seconds the heater will automatically switch to 100% power. |
| 5. OFF | To switch the heater off: |

Notice:

- Use 2 pieces AAA size 1.5V batteries in the remote control. Remove the battery when not use for long time, thus the lifespan of remote control can be extended.
- Choose the same specification battery when replacing the battery inside, otherwise it may cause remote control not work , thereby affect the normal use of the heater.
- Please contact service agent for further help if you need the function.
- The remote control function may be out of work if there is a barrier between the remote control and heater .
- Replacing the batteries duly so as not to affect the normal use of heater and remote control.



I O II Switch function:

- I = Standby Use the remote control to turn ON/OFF the heater.
- II = ON The heater works directly without remote control.
- O = OFF Power OFF.

Operation Instruction

- Remove all package material (including anti-vibration object of the lamp) and check the appliance, supply cord and the plug for signs of damage.
- Pay attention to the mounting place and all mounting material(dowels, screws). Ensure they are suitable and stable enough for mounting and lastingly holding of the appliance.
- Before mounting, the minimum safe mounting distances and tilt angles shown in the figures must be strictly followed.
- The distance between the bottom edge of the appliance and the floor must be at least 1.8 M. See figure 2.
- There must be a distance of at least 0.25 M between the appliance and the ceilings, roofs or other covers. See figure 2.
- There must be a distance of at least 0.5 M at each side between the appliance and walls or the like. See figure 2.
- Recommended degree to mounting surface is 45°. See figure 3.
- Pay attention that, the installation of the appliance must not add excessive wind load.
- Fix the mounting bracket to the ceiling I first. Ensure that the place to be installed is secure and firm. Or connect the appliance to the stand.
- Adjust the desired angle of radiation and fest screw all screws. Check regularly the screw's connection. Mechanical bearing pressure and oscillation due to wind or rain could lead to loose.
- Plug in the power source and operate the remote control. Then observe, whether during the first 10-15 minutes the appliance works trouble-free.
- If you do not use,please remove battery socket.

Figure 1: Mounting bracket and anchor dowels provided. Connection from the wall to the infrared heater.

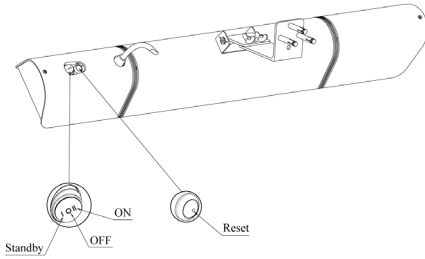


Figure 2: Min. distance to floor, ceiling and wall.

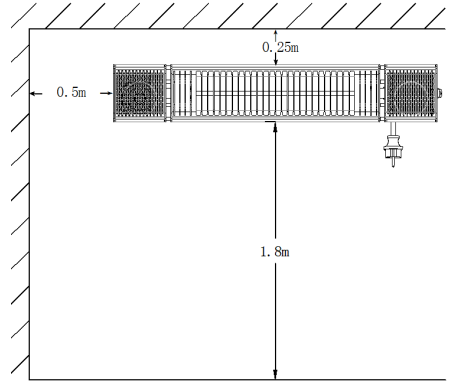


Figure 3: Tilt angle.

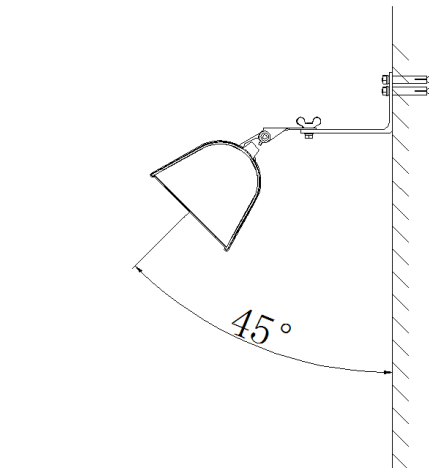
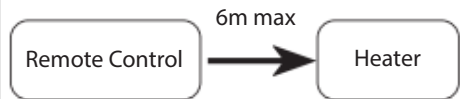


Figure 4: Max. remote distance



Generelle sikkerhedsinstruktioner

Læs brugsanvisningen omhyggeligt igennem inden installation af terrassevarmeren og opbevar herefter brugsanvisningen et sikkert sted. Opbevar brugsanvisningen til spørgsmål om fremtidig brug af dit produkt. Terrassevarmeren er designet og fremstillet i overensstemmelse med europæiske standarder: CE, RoHS. Produktet overholder de væsentlige krav i direktiverne: EN 60335-2-30: 2009, EN 60335-1: 2012.

- Terrassevarmeren kan bruges af børn fra 8 år og opefter og personer med nedsatte fysiske, sensoriske eller mentale evner eller manglende erfaring og viden, hvis de har fået tilsyn eller instruktion om brug af terrassevarmeren på en sikker måde og forstår mulige farer. Børn må ikke lege med terrassevarmeren. Rengøring og brugervedligeholdelse må ikke udføres af børn uden opsyn. Børn under 3 år skal holdes væk fra terrassevarmeren, medmindre de kontinuerligt overvåges. Børn over 3 år og yngre end 8 år må kun tænde og slukke for terrassevarmeren, hvis de overvåges eller har fået undervisning i, hvordan man bruger terrassevarmeren sikkert og har forstået de deraf følgende farer; dette forudsat at
- terrassevarmeren er placeret eller installeret på dens normale brugssted. Børn over 3 år og yngre end 8 år må ikke sætte terrassevarmeren i stikkontakten, justere varmen, rengøre terrassevarmeren og / eller udføre nogen vedligeholdelse.
- Ekstrem forsigtighed er nødvendig, når terrassevarmeren bruges af eller i nærheden af børn eller invalide samt hver gang terrassevarmeren efterlades tændt og uden opsyn.
- **FORSIGTIG** - Nogle dele af dette produkt kan blive meget varme og forårsage forbrændinger. Der skal være særlig opmærksomhed, hvor børn og sårbare mennesker er til stede.
- Brugeren må tilslutte terrassevarmeren til en stikkontakt ved hjælp af enhedens standardkabel. Hvis standardkablet skal ændres, eller hvis terrassevarmeren skal tilsluttes permanent til en stikkontakt, skal installationen udføres af en autoriseret elektriker. Mens installationen udføres, skal strømmen altid afbrydes. Tænd først terrassevarmeren, når alle kabler er tilsluttet korrekt.
- Terrassevarmeren må kun tilsluttes en timer, der slukker for enheden efter den indstillede tid. Tilslut ikke terrassevarmeren til en timer, der starter terrassevarmeren automatisk.
- Ved brug af elektriske apparater skal grundlæggende sikkerhedsforholdsregler altid følges for at reducere risikoen for brand, elektrisk stød eller personskade, herunder følgende;
- Denne terrassvarmer er varm, når den er i brug. For at undgå forbrændinger må du ikke lade den blotte hud berøre de varme overflader. Hvis muligt så løft i håndtag eller beslag, når du flytter terrassevarmeren. Opbevar brændbare materialer, såsom møbler, puder, strøelse, papirer, tøj og gardiner mindst 90 cm fra fronten på terrassevarmeren.
- Tag altid stikket ud af stikkontakten, når terrassevarmeren ikke er i brug.
- Brug ikke terrassevarmeren, hvis ledning eller stik er beskadiget. Brug heller ikke terrassevarmeren efter et funktionssvigt eller , hvis den er tabt eller på anden måde beskadiget. Kassér terrassevarmeren ved kraftig beskadigelse eller kontakt forhandleren for eventuel udbedring af skaden.
- Før ikke ledningen under tæpper. Dæk ikke ledningen med faste tæpper, løbere eller lignende belægninger. Før ikke ledningen under møbler eller apparater. Placer ledningen væk fra gangarealer, således det undgås, at man kan komme til at snuble over ledningen.
- Brug ikke terrassevarmeren i de umiddelbare omgivelser af et bad, et brusebad eller en swimmingpool.
- Brug ikke terrassevarmeren udendørs under dårligt vejr som regn, storm eller sne.
- Tilslut kun til jordforbundne stikkontakter.
- Placer ikke terrassevarmeren direkte under en stikkontakt.
- For at frakoble terrassevarmeren skal du slukke for kontakten og derefter fjerne stikket fra kontakten.
- Indsæt ikke og lad ikke fremmede genstande komme ind i nogen ventilations- eller gitter åbning, da dette kan forårsage elektrisk stød, brand eller beskadige terrassevarmeren.
- For at forhindre en mulig brand skal du ikke blokere luftindtag eller gitteret på nogen måde. Placer ikke terrassevarmeren på bløde overflader som en seng, hvor ventilationsåbningerne kan blive blokeret.
- Brug ikke terrassevarmeren i områder, hvor benzin, maling eller brandfarlige væsker bruges eller opbevares.

- Kontroller, om den spænding, der er angivet på apparatets typeskilt, svarer til den lokale netspænding, før du tilslutter terrassevarmeren.
- Brug ikke terrassevarmeren tæt på gardiner og andre brændbare materialer.
- Rør ikke ved apparatet. Advarsel! Risiko for forbrænding!
- I tilfælde af forkert brug er der risiko for elektrisk stød og / eller brandfare. Apparatets betjening skal afbrydes, og stikket skal tages med det samme. Forsøg ikke at reparere apparatet alene. Kontakt forhandleren eller en autoriseret elektriker for reparation.

Rengøring og vedligeholdelse.

- Terrassevarmeren består af et robust og vedligeholdelsesfrit aluminiumhus med beskyttelsesgitter. Indeholder ingen udskiftelige eller servicekrævende dele.
- Før rengøring trækkes stikket ud af kontakten. Vent til terrassevarmeren er helt afkølet, før nogen form for rengøring påbegyndes.
- Terrassevarmeren tørres af med fnugfri klud, vaskeskind eller børstes af med blødbørste.
- Brug aldrig rengøringsmidler, slibemidler eller hårde børster til rengøring.
- Forsøg aldrig at skille terrassevarmeren, for at rengøre reflektor eller skifte rør.
- For at undgå elektrisk stød må ledning, stik eller i det hele taget terrassevarmeren aldrig komme i kontakt med vand eller anden væske.
- Ved udskiftning af det infrarøde rør, venligst kontakt stedet, hvor varen er købt eller importøren.

Fejlfinding

Følg nedenstående fejlfindingsstrin:

- Sørg for, at netledningen er tilsluttet korrekt.
- Kontroller kablet for eventuelle brud.
- Sørg for, at ON/OFF-kontakten er slukket.
- Kontroller om røret er sprængt.
- Hvis produktet er slukket på grund af overophedning forårsaget af forkert brug (overophedningsføler), skal produktet skal kobles fra stikkontakten og afkøle. Kontroller produktet for mangler efter 30 minutters afkøling. Hvis der ikke er synlige defekter, skal du prøve at tilslutte produktet igen. Kontakt venligst forhandleren, hvis dette ikke løste dit problem.

Opbevaring

Bør opbevares tørt og fri for støv. Tag terrassevarmeren indenfor og opbevar denne tørt eventuelt i en pose.

Bortskaffelse



Det europæiske direktiv 2002/96 / EF om affald med elektrisk og elektronisk udstyr (WEEE) kræver, at gamle husholdningsapparater ikke kastes i den normale kommunale affaldsstrøm. Apparaterne skal samles separat for at maksimere nyttiggørelse og genanvendelse af materialer og reducere indvirkningen på menneskers sundhed og miljøet. Symbolet for den "krydsede skraldespand" er stemplet på produktet for at huske forpligtelserne i den separate samling. Forbrugere skal kontakte deres forhandler eller lokale myndigheder vedrørende proceduren, der skal følges for fjernelse af deres produkt.

Kundeservice

- Reparationer skal udføres af en elektriker, hvilket sikrer elektrisk sikkerhed.
- Kontakt venligst forhandleren eller en autoriseret elektriker.
- Forkert reparation kan føre til fare for brugeren.
- Denne garanti dækker ikke skader på fejl, der skyldes ændring, ulykke, misbrug, forsømmelse eller forkert vedligeholdelse.
- I overensstemmelse med vores politik om kontinuerlig produktudvikling forbeholder vi os ret til at ændre produkt- og dokumentationsspecifikationer uden varsel.

Introduktion

Dette produkt er en infrarød terrassevarmer med fjernbetjening til placering under et overdække. Produktet er IP65 klassificeret, hvilket betyder det er støvtæt og tåler vandpåvirkning. Terrassevarmeren kan næsten ubegrænset anvendes udendørs på restauranter, barer, gårdhaver m.m. Produktet er energi effektivt, let at anvende og miljøvenligt. Produktet har Bluetooth-højtalerne, hvorfra du kan afspille musik fra din iPhone, iPad eller Android enhed.

Specifikationer

| | |
|-------------------|-----------------|
| Model: | LHRR009-200KB-S |
| Strømkilde (V): | 220-240V~ |
| Strømforbrug (W): | 2000W |
| IP-Klassificering | IP65 |

| | |
|-----------------------------|----------|
| Bluetooth-modtager afstand: | 10 meter |
| Højtalere: | 2 x 6 W |

Varmeregulering via telefon:

Download den gratis Bluetooth-app: Navn: "SUNKARE" til enten din iPhone, iPad eller Android-enhed. App'en findes på App-store eller Google Play.

- Terrassevarmeren skal stå i "standby" = position 1 på bagsiden af varmeren. Lampe lyser blå.
- Tryk ON (4) på fjernbetjeningen.
- Find: LIANGDI i indstillinger/ Bluetooth og forbind. Hvis dette ikke lykkedes, forsøg i App'en under menuen med de 3 streger og prikker.
- Første gang skal du bruge kode: 1,2,3,4,5,6,7,8 denne kan senere ændres i App'en
- "SUNKARE" Appen vil give dig mulighed for at tilslutte 1 eller 2 terrassevarmere og styre/kontrollere dem individuelt, med hver sin kode.
- Tryk i menuen med 3 prikker og streger : HEAT 1, swipe til højre, så det lyser grønt.
- Tryk Ö for at aktivere det grønne lys, det kan være nødvendigt at gentage ovenstående swipe.
- Tryk (sol) for at regulere varmen i cirklen.
- Timer (UR) Indstilling af automatisk slukkefunktion af varmen, ikke musik.
- Colour/farve symbol: er ikke aktivt på denne model
- Tandhjul: diverse indstillinger, ændring af password m.m.
- OFF: Tryk knap (5) for at afbryde.

Lyd/musik via telefon:

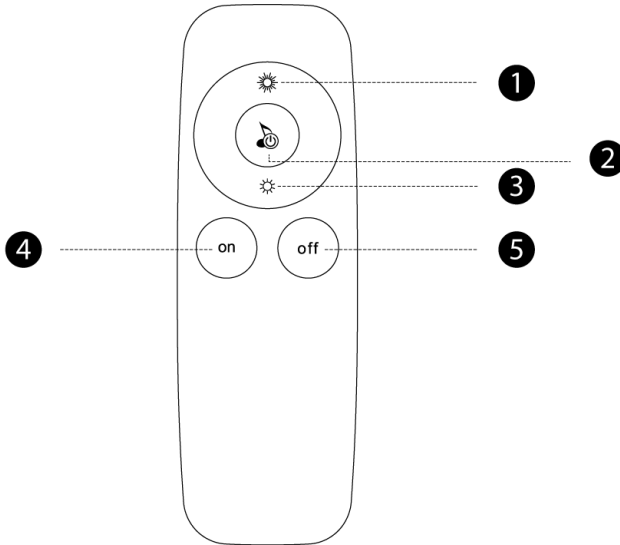
Bluetooth: tilslutning af højtalere via fjernbetjening og din mobil/iPad.

- I standby position tryk ON (knap 4) på fjernbetjeningen: Tryk kort på knappen (2) på fjernbetjeningsknappen for at tænde for højtalerne, hold derefter knappen inde lidt længere tid, for at gå ind i Bluetooth paringstilstand.
- Åbn Bluetooth funktion i din iPhone, iPad eller Android-enhed, find "LIANG DI" i enheden og tilslut derefter.
- Tilslutning indikeres med høj tone. Nu kan du afspille lyd/musik fra din iPhone, iPad eller Android-enhed. Vælg din musikkilde på telefon.
- Tryk på Knappen (2) på fjernbetjeningen igen, og Bluetooth højtalerne slukkes. Bekræftes med lyd.
- Visse af ovenstående funktioner kan også foretages ved at trykke på node tegnet i App'en. Hvis telefonen har været uden for rækkevidde af terrassevarmeren eller den har været afbrudt på OFF knappen (5), skal du genoprette forbindelsen knap (2), kan varierer afhængig af telefonmodel.

Reset (nulstil)

- Tryk kort på RESET knappen (bag på varmeren) herved kan du tænde/slukke og skifte varmetrin fra høj, mellem og lav uden fjernbetjening.
- Tryk på knappen i mindst 4 sekunder og varmeren gendanner fabriksindstillingerne.

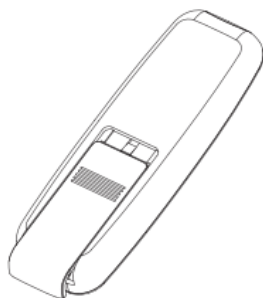
Vejledning til fjernbetjening



| Knap | Funktion |
|--------------------------------------|---|
| 1. Kraftig sol | Varmen øges |
| 2. Tænd / sluk for højtaleren | Kort tryk, slå højtaleren til/fra Langt tryk, gå ind i parrings tilstand |
| 3. Dæmpet sol | Varmen dæmpes |
| 4. Tænd / on | For at tænde for varmeren: Tryk ON. Varmen har en blød opstarts funktion på 33% kraft. 4 sekunder efter varmeren er tændt vil den automatisk skifte til sidst anvendte varmeniveau. Ved første gangs anvendelse vil varmeren efter 4 sekunder, automatisk skifte til 100% kraft. Indikator lyset lyser rødt. |
| 5. Sluk / off | For at slukke for varmeren: Tryk OFF. Varmen vil skifte til standby tilstand. Den blå indikator lampe lyser. |

Bemærk:

- Fjernbetjeningen anvender 2 x AAA batterier 1.5V. Fjern batterierne, når fjernbetjeningen ikke anvendes i længere tid, dermed forlænges fjernbetjeningens levetid.
- Vælg altid samme type og nye batterier, når der skal skiftes batterier.
- Undgå forhindringer mellem fjernbetjening og terrassevarmer.



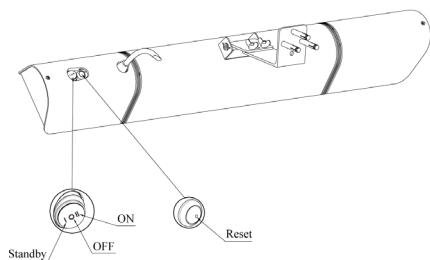
I O II kontakt indstillinger:

- I = Standby Brug fjernbetjeningen til at tænde/slukke/skrue op og ned for terrassevarmeren.
- II = ON Terrassevarmeren kan anvendes uden fjernbetjening. Juster varmestyrken via RESET knappen.
- O = OFF Terrassevarmeren er slukket.

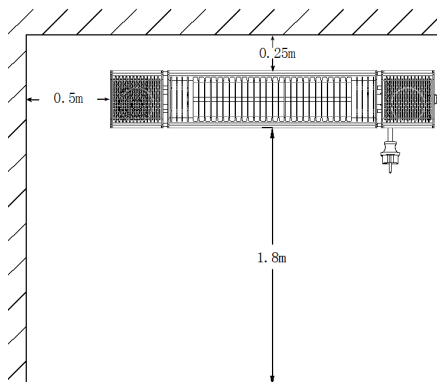
Montering

- Fjern alt emballage og kontroller ledning og generelt produktet for eventuelle skader.
- Vær opmærksom på, at monteringsstedet beskaffenhed passer overens med de medleverede expansionsskruer. Dette for at sikre en stærk og holdbar montering.
- Vær opmærksom på, at følge de nævnte minimums monteringsafstande og vippevinkler, der er vist i figurene.
- Afstanden mellem terrassevarmerens nederste kant og gulvet skal være mindst være 1,8 M. Se figur 2.
- Der skal være en afstand på mindst 0,25 m mellem terrassevarmeren og loft, tage eller andre overdækninger. Se figur 2.
- Der skal være en afstand på mindst 0,5 M på hver side mellem terrassevarmeren og vægge eller lignende. Se figur 2.
- Anbefalede monteringsvinkel er 45°. Se figur 3.
- Fastgør monteringsbeslaget til en væg og sæt terrassevarmeren fast på beslaget eller fastgør terrassevarmeren til et stativ.
- Juster til den ønskede varmevinkel og stram sekskant skruen. Kontroller jævnlige, at vinklen bibeholdes og at sekskant skruen ikke har løsnet sig grundet vind eller mekanisk tryk.
- Tilslut strøm og betjen terrassevarmeren med fjernbetjeningen. Kontroller i de første 10-15 minutter om terrassevarmeren fungerer problemfrit.

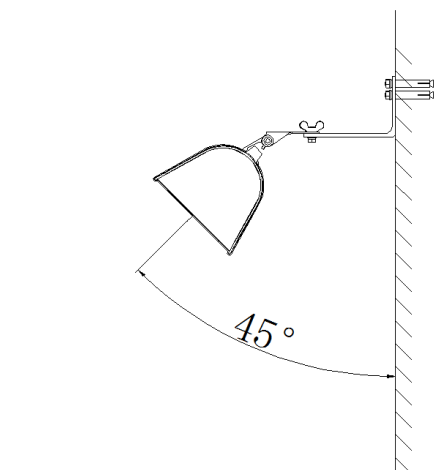
Figur 1: Monteringsbeslag og medfølgende expansionsskruer



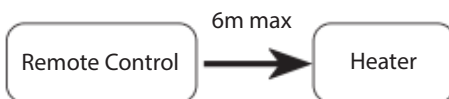
Figur 2: Min. afstand til gulv, loft og vægge.



Figur 3: Anbefalet hældningsvinkel.



Figur 4: Maks. fjernbetjenings afstand.



Allmänna säkerhetsanvisningar

Läs noggrant igenom instruktionsmanualen innan terrassvärmaren installeras och förvara därefter instruktionsmanualen på ett säkert ställe. Opbevar bruksanvisningen til spørgsmål om fremtidig brug af dit produkt. Terrassevarmeren er designet og fremstillet i overensstemmelse med europæiske standarder: CE, RoHS. Produktet overholder de væsentlige krav i direktiverne: EN 60335-2-30: 2009, EN 60335-1: 2012.

- Terrassvärmare kan användas av barn från 8 år och uppåt och personer med nedsatta fysiska, sensoriska eller mentala förmågor eller brist på erfarenhet och kunskap, om de har fått uppsyn eller instruktion om terrassvärmarens användning på ett säkert sätt och förstår möjliga faror. Barn får inte leka med terrassvärmaren. Rengöring och underhåll får inte utföras av barn utan uppsyn. Barn under 3 år ska hållas borta från terrassvärmaren, om de inte har konstant uppsyn. Barn över 3 år och under 8 år får bara slå på och av terrassvärmaren om de är under uppsyn eller har fått undervisning i hur man använder terrassvärmaren säkert och har förstått de därav följande farorna; detta förutsätter att terrassvärmaren är placerad eller installerad på dess normala användningsställe. Barn över 3 år och under 8 år får inte sätta terrassvärmaren i eluttaget, justera värmen, rengöra terrassvärmaren och/eller utföra något underhåll.
- Extrem försiktighet är nödvändig när terrassvärmaren används av eller i närheten av barn samt varje gång terrassvärmaren lämnas tänd och utan uppsyn.
- FÖRSIKTIG – Några av denna produkts delar kan bli mycket varma och orsaka brännskador. Du ska vara särskilt uppmärksam om barn och sårbara individer är närvarande.
- Användaren får ansluta terrassvärmaren till ett eluttag med hjälp av enhetens standardkabel. Om standardkabeln ska ändras, eller om terrassvärmaren ska anslutas permanent till ett eluttag, ska installationen utföras av en auktoriserad elektriker. Medan installationen utförs ska strömmen alltid avbrytas. Slå först på terrassvärmaren när alla kablar har anslutits korrekt.
- Terrassvärmaren får endast anslutas till en timer som stänger av enheten efter den inställda tiden. Anslut inte terrassvärmaren till en timer som startar terrassvärmaren automatiskt.
- Vid användning av elektriska apparater ska grundläggande säkerhetsregler alltid följas för att minska risken för brand, elektriska stötar eller personskada, inklusive följande;
- Denna värmare är varm när den används. För att undvika brandskador får du inte låta blottad hud beröra varma ytor. Om det levereras ska du använda handtag när du flyttar denna värmare. Förvara brännbara material såsom möbler, kuddar, papper, kläder och gardiner minst 90 cm från fronten på terrassvärmaren.
- Ta alltid ut strömsladden när den inte används.
- Använd inte terrassvärmaren med en skadad sladd eller uttag, eller efter att apparaten har funktionsfel, har vält eller skadat sig på något sätt. Kassera värmaren eller gå till en auktoriserad serviceanläggning till undersökning och/eller reparation.
- Lägg inte sladden under mattor. Täck heller inte sladden med löpare eller liknande beläggningar. För inte sladden under möbler eller apparater. Placera sladden borta från trafikerade områden, och där den inte snubblas över.
- Använd inte värmaren i den omedelbara närheten av ett bad, dusch eller en pool.
- Använd inte denna värmare utomhus vid dåligt väder som regn, storm eller snö.
- Anslut produkten endast uttag med jord.
- Placera inte aggregatet direkt under ett vägguttag.
- För att stänga av värmaren, stäng av kontrollerna och dra sedan ur nätsladden.
- Sätt inte i eller låt främmande objekt komma in i någon ventilations- eller utluftningsöppning, eftersom detta kan orsaka elektriska stötar eller brand eller skada värmaren.
- För att förhindra en möjlig brand ska du inte blockera luftintag eller utluftning på något sätt. Använd inte på mjuka ytor, som en säng, där öppningarna kan blockeras.
- En värmare har värme- och ljusbågar eller gnistrande delar i sig. Använd den inte i områden där bensen, målarfärg eller brandfarliga vätskor används eller förvaras.res.

- Kontrollera om spänningen som anges på apparatens typskylt motsvarar den lokala nätspänningen innan du ansluter apparaten.
- Använd inte värmaren nära gardiner och andra brännbara material.
- Rör inte apparaten. Varning! Risk för brännskador!
- I fall av felanvändning är det risk för elektriska stötar och/eller brandfara. Kontakta serviceagenten eller en kvalificerad elektriker för underhåll.

Underhåll och rengöring

- Dra ut stickkontakten ur vägguttaget före rengöring eller när produkten inte används för längre tidsperioder.
- Rengör inte produkten förrän 60 minuter efter att den stängts av.
- Vid rengöring, spraya inte rengöringsmedel eller vatten direkt i produkten.
- Applicera rengöringsmedel på en trasa och torka av produkten.
- Kontrollera regelbundet sladden för skador och se till att kontakten är ren.
- Om strömsladden, lampa eller andra elektriska delar behöver bytas ut, måste detta ske endast av en professionell elektriker.

Felsökning

Följ felsökningsstegen nedan:

- Se till att strömsladden är korrekt ansluten.
- Kontrollera kabeln för eventuella brister.
- Se till att ON / OFF-knappen har stängts av.
- Kontrollera om glödlampan har bläst.
- Om produkten är avstängd på grund av överhettning som orsakas av felaktig användning (överhettningssensor), måste produkten vara bortkopplad från vägguttaget och svalka. Kontrollera produkten för fel efter 30 minuter av kylning. Om det inte finns några synliga skador, försök att återansluta produkten again. Vänligen kontakta platsen för köpa om detta inte löser problemet.

Förvaring

Bör förvaras torrt och dammfritt. Ta in terrassvärmaren och förvara den torrt, eventuellt i en påse.

Bortskaffande



EU-direktiv 2002/96 / EG om elektrisk och elektronisk utrustning avfall (WEEE), kräver att gamla hushållsapparater inte kastas i det normala hushållsavfallet. Apparaterna ska samlas in separat för att maximera återanvändning och återvinning av material och minska påverkan på människors hälsa och miljön. Symbolen för "korsade utanför soptunnan" är stämplat på produkten att påminna om skyldigheter separat insamling. Konsumenterna bör kontakta sin återförsäljare eller lokala myndigheter om det förfarande som skall följas för att avlägsna deras produkt.

Kundservice

- Reparationer ska utföras av auktoriserade specialister, vilket säkerställer elektrisk säkerhet.
- Kontakta vänligen serviceagenten eller en kvalificerad elektriker.
- Felaktig reparation kan leda till fara för användaren.
- Denna garanti täcker inte skador på fel som uppstått på grund av ändring, olycka, missbruk, försummelse eller felaktigt underhåll.
- I överrensstämmelse med vår politik om kontinuerlig produktutveckling förbehåller vi oss rätten att ändra produkt- och dokumentationsspecifikationer utan varsel. produkt- och dokumentationsspecifikationer uden varsel.

Introduktion

Denna produkt är en infraröd terrassvärmare med fjärrkontroll till placering under tak. Produkten är IP65-klassifierad, vilket betyder att den är dammtät och tål vattenpåverkan. Terrassvärmaren kan nästan obegränsat användas utomhus på restauranger, barer, gårdsträdgårdar m.m. Produkten är energieffektiv, lätt att använda och miljövänlig. Produkten har Bluetooth-högtalare där du kan spela upp musik från din iPhone, iPad eller Android-enhet.

Specifikationer

| | |
|----------------------------|-----------------|
| Modell: | LHRR009-200KB-S |
| Strömkälla (V): | 220-240V~ |
| Strömförbruk (W): | 2000W |
| IP-Klassifikation | IP65 |
| Bluetooth-mottagaravstånd: | 10 meter |
| Högtalare: | 2 x 6 W |

Värmereglering via telefon:

Ladda ner den gratis Bluetooth-appen "SUNKARE" till antingen din iPhone, iPad eller Android-enhet. Appen hittas i App Store eller Google Play.

- Terrassvärmaren ska stå i "stand by" (position 1) på baksidan av värmaren. Lampan lyser blå.
- Tryck på ON (4) på fjärrkontrollen.
- Hitta "LIANGDI" i inställningar/Bluetooth och anslut. Om detta inte lyckas, försök i appen under menyn med de tre strecken och prickarna.
- Första gången ska du använda koden: 1,2,3,4,5,6,7,8. Denna kan senare ändras i appen.
- "SUNKARE"-appen ger dig möjlighet att ansluta en eller två terrassvärmare och kontrollera dem individuellt med varsin kod.
- Tryck på menyn med tre prickar och streck: HEAT 1, swipe till höger så det lyser grönt.
- Tryck på Ö för att aktivera det gröna ljuset, det kan vara nödvändigt att upprepa ovanstående swipe.
- Tryck på (sol) för att reglera värmaren i cirkeln.
- Timer (klocka): inställning av automatisk avstängningsfunktion av värmen, inte musiken.
- Colour/färgsymbol: är inte aktiv på denna modell.
- Kugghjul: diverse inställningar, ändring av lösenord m.m.
- OFF: Tryck på knapp (5) för att stänga av.

Ljud/musik via telefon:

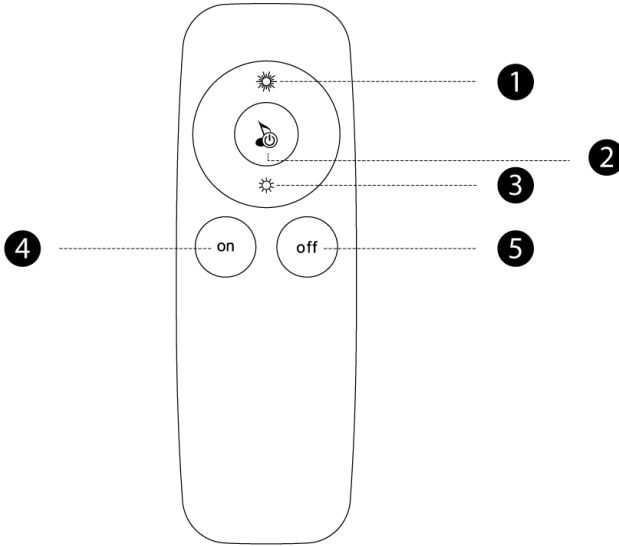
Bluetooth-anslutning av högtalare via fjärrkontroll och din mobil/iPad.

- I standby-position, tryck på ON (knapp 4) på fjärrkontrollen: Tryck kort på knappen (2) på fjärrkontrollen för att sätta på högtalarna. Håll därefter in knappen lite längre tid för att gå in i Bluetooth-parningstillstånd.
- Öppna Bluetooth-funktion i din iPhone, iPad eller Android-enhet, hitta "LIANG DI" i enheten och anslut därefter.
- Anslutning indikeras med hög ton. Nu kan du spela upp ljud/musik från din iPhone, iPad eller Android-enhet. Välj din musikkälla på telefonen.
- Tryck på knappen (2) på fjärrkontrollen igen, så stängs Bluetooth-högtalarna av. Bekräftas med ljud.
- Vissa av ovanstående funktioner kan också göras genom att trycka på not-tecknet i appen. Om telefonen har varit utom räckvidd av terrassvärmaren eller den har varit avslagen på OFF-knappen (5), ska du återupprätta anslutningen med knapp (2), kan variera beroende på telefonmodell.

Reset (nollställ)

- Tryck kort på RESET-knappen (på värmarens baksida) för att sätta på/stänga av och byta värmenivå från hög, mellan och låg utan fjärrkontroll.
- Håll inne knappen i minst fyra sekunder, så går värmaren tillbaka till fabriksinställningar.

Instruktioner till fjärrkontroll



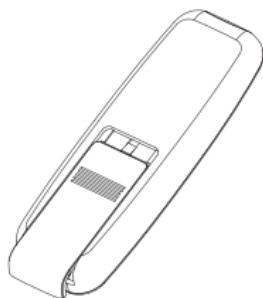
Knapp

Funktion

| | |
|--------------------------------|--|
| 1. Kraftig sol | Värmen ökar |
| 2. På/av för högtalaren | Kort tryck, sätt på/stäng av högtalaren Långt tryck, gå in i parningstillstånd |
| 3. Dämpad sol | Värmen dämpas |
| 4. På / on | För att sätta på värmaren: Tryck på ON. Värmaren har en mjuk uppstartsfunktion på 33 % kraft. Fyra sekunder efter värmaren har satts på, byter den automatiskt till senast använda värmenivå. Vid första användning byter värmaren automatiskt till 100 % kraft efter fyra sekunder. Indikatorlampan lyser röd. |
| 5. Av / off | För att stänga av värmaren: Tryck på OFF. Värmaren går in i standby-tillstånd. Den blå indikatorlampan lyser. |

Observera:

- Fjärrkontrollen använder 2xAAA-batterier 1,5V. Ta ur batterierna när fjärrkontrollen inte används i en längre period. Därmed förlängs fjärrkontrollens livslängd.
- Välj alltid samma typ och nya batterier när du byter batterier.
- Undvik hinder mellan fjärrkontrollen och terrassvärmaren.



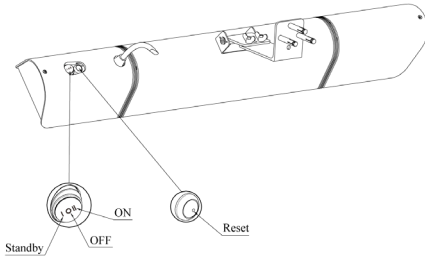
I O II kontaktinställningar:

- I = Standby Använd fjärrkontrollen till att sätta på/stänga av/skruva upp och ner för terrassvärmaren.
- II = ON Terrassvärmaren kan användas utan fjärrkontroll. Justera värmestyrkan via RESET-knappen.
- O = OFF Terrassvärmaren är avstängd.

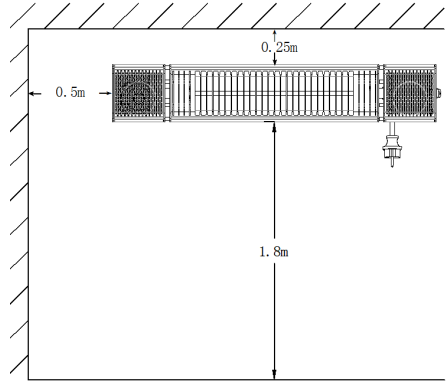
Montering

- Avlägsna all emballage och kontrollera sladden och produkten generellt för eventuella skador.
- Var uppmärksam på att monteringsplatsen stämmer överens med de medföljande expansionskruvarna. Detta för att säkerställa en stark och hållbar montering.
- Var uppmärksam på att följa de nämnda minimumsmonteringsavstånden och lutningsvinklar som visas på figurerna.
- Avståndet mellan terrassvärmarens nedersta kant och golvet ska vara minst 1,8 m. Se figur 2.
- Det ska vara ett avstånd på minst 0,25 m mellan terrassvärmaren och tak. Se figur 2.
- Det ska vara ett avstånd på minst 0,5 m på varje sida mellan terrassvärmaren och väggar eller liknande. Se figur 2.
- Rekommenderad monteringsvinkel är 45°. Se figur 3.
- Fäst monteringsbeslaget vid en vägg och sätt fast terrassvärmaren på beslaget eller fäst terrassvärmaren på ett stativ.
- Justera till önskad värmevinkel och spänn åt sexkantskruven. Kontrollera regelbundet att vinkeln bibehålls och att sexkantskruven inte har lossats på grund av vind eller mekaniskt tryck.
- Anslut ström och styr terrassvärmaren med fjärrkontrollen. Kontrollera under de första 10-15 minuterna om terrassvärmaren fungerar problemfritt.

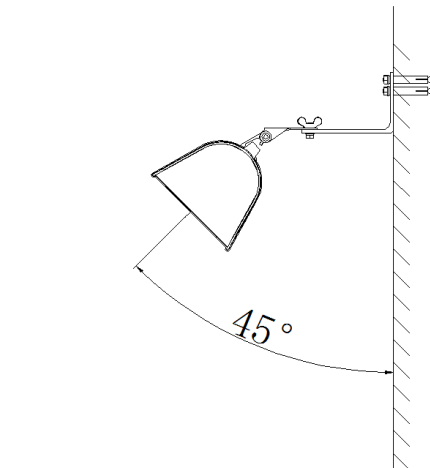
Figur 1: Monteringsbeslag och medföljande expansionskruvar.



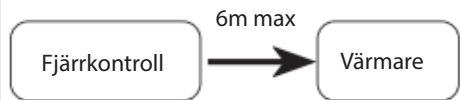
Figur 2: Minimumavstånd till golv, tak och vägg.



Figur 3: Rekommenderad lutningsvinkel.



Figur 4: Maxavstånd för fjärrkontroll.



Yleiset turvallisuusohjeet

Lue nämä ohjeet huolellisesti ennen laitteen asentamista käyttökuntoon ja säilytä nämä ohjeet myöhempää tarvetta varten. Säilytä nämä ohjeet voidaksesi palata niihin myöhemmin laitetta käyttäessäsi. Laite on suunniteltu ja valmistettu noudattaen EU -standardeja CE sekä RoHS ja lisäksi laite täyttää seuraavien direktiivien vaatimukset: EN 60335-2-30:2009, EN 60335-1:2012.

- Lapset, joiden ikä on 8 vuotta tai yli, ja henkilöt, joilla on alentunut toimintakyky (rajoitettu fyysinen, aistinvarainen, tai henkinen ominaisuus) tai kokemuksen ja tiedon puute saavat käyttää tätä laitetta ainoastaan, jos heitä valvotaan tai heitä on opastettu laitteen turvalliseen käyttöön ja he ymmärtävät laitteen käytössä esiintyvät vaarat. Lapset eivät saa leikkiä laitteella. Lapset eivät saa suorittaa laitteen puhdistamista ja käyttäjälle tarkoitettuja laitteen huoltotoimenpiteitä ilman valvontaa.
- Erityistä varovaisuutta pitää noudattaa, kun lämmitintä käytetään lasten tai vajaatoimintakykyisten aikuisten läheisyydessä ja silloin kun lämmitin jätetään toimintaan ilman valvontaa.
- VAROITUS – Laitteen eräät osat voivat tulla erittäin kuumiksi ja voivat aiheuttaa palovammoja. Erityistä huomiota on kiinnitettävä, kun lapset, herkät tai vajaatoimintakykyiset ihmiset ovat läsnä.
- Käyttäjä saa kytkeä lämmittimen verkkovirtaan, kun se kytketään normaaliin maadoitettuun pistorasiaan laitteen vakiovarusteisella verkkojohdolla. Jos verkkojohtoa pitää muokata tai lämmitin kytkeä kiinteästi sähkörasiaan, pitää asennuksen tapahtua valtuutetun sähköasentajan toimesta.
- Lämmittimen saa kytkeä vain sellaiseen ajastimeen, joka ajastaa laitteen sammumaan asetetun ajan jälkeen. Lämmitintä ei saa kytkeä sellaiseen ajastimeen, joka käynnistää lämmittimen ajastetusti. Käyttäjän pitää aina käynnistää lämmitin valvotusti.
- Lämmitin on asennettaessa aina saatettava jännitteettömään tilaan (verkkojohto on irrotettava pistokkeesta). Kytke lämmittimeen virta vasta kun asennus on valmis ja virtajohto on asennettu pistorasiaan.
- Jotta välttyttäisiin paloriskiltä, henkilövahinkoriskiltä ja sähköiskun riskiltä, pitää lämmitintä käytettäessä aina noudattaa tämän ohjeen kaikkia turvallisuusohjeita, mukaan lukien seuraavat:
- Lämmitin kuumenee käytössä. Palovammoja estääksesi, vältä laitteen koskettamista paljaalla iholla. Jos laitteessa on kahvat, käytä niitä sen siirtämiseen. Pidä herkästi syttyvät materiaalit (tyynyt, petivaatteet, huonekalut, paperit, verhot ja muut sellaiset) vähintään 90 cm etäisyydellä lämmittimen etuosasta.
- Irrota verkkojohto aina, kun laite ei ole käytössä.
- Älä käytä lämmitintä, mikäli sen verkkojohto tai verkkopistoke on vahingoittunut, laite on käyttäytynyt oudosti, laite on pudonnut tai muutoin vioittunut. Lopeta sellaisessa tapauksessa laitteen käyttö ja vie se tarvittaessa valtuutettuun huoltoon tarkempaa tutkimista ja mahdollista korjausta varten.
- Älä vie reititä verkkojohtoa maton alta. Älä peitä verkkojohtoa matolla, käytävämatolla, kynnyksmatolla tai muulla vastaavalla. Älä reititä verkkojohtoa huonekalujen tai kodinkoneiden alitse. Sijoita verkkojohto siten, että sen yli ei kuljeta ja ettei siihen voi kompastua.
- Älä aseta lämmitintä uima-altaiden, kylpyammeiden tai pesutilojen välittömään läheisyyteen.
- Älä käytä lämmitintä ulkona huonoissa sääolosuhteissa, esim. rankkasateen, myrskyn tai lumisateen aikana.
- Kytke lämmitin vain asianmukaisesti maadoitettuun pistorasiaan.
- Älä sijoita lämmitintä suoraan pistorasian alapuolelle.
- Kun lopetat laitteen käytön, kytke kaikki säätimet nolliille ja irrota sitten verkkojohto pistorasiasta.
- Älä työnnä tai muutoinkaan salli vieraiden esineiden päästä laitteen sisälle mistään sen aukoista, sillä siitä voisi seurata tulipalo, sähköisku tai lämmittimen vaurioituminen.
- Vältäaksesi tulipalon vaaraa, älä tuki laitteen aukkoja millään tavoin. Älä käytä lämmitintä pehmeillä alustoilla, kuten sängyssä, jossa laitteen aukot voisivat vahingossa tukkeutua.
- Lämmittimessä sekä sen sisällä on kuumia ja mahdollisesti kipinöiviä osia, joten sitä ei saa käyttää tilassa, jossa säilytetään tai käytetään polttoaineita, maaleja tai muita herkästi syttyviä nesteitä.
- Tarkista ennen laitteen kytkemistä sähköverkkoon, että laitteen arvokilvessä esitetty jännitearvo vastaa käyttöpaikan sähköverkon jännitettä.

- Älä käytä lämmitintä verhojen tai muiden herkästi syttyvien materiaalien läheisyydessä.
- Palovamman vaara! Älä koske käynnissä olevaan laitteeseen.
- Ohjeiden vastainen tai muutoin sopimaton laitteen käyttö sisältää vakavan sähköiskun ja/tai tulipalon vaaran. Tällaista käyttöä havaittaessa on laitteen käyttö välittömästi lopetettava ja se on kytkettävä irti verkkovirrasta. Älä millinkaan yritä korjata vioittunutta laitetta itse. Jos laite tarvitsee korjausta, ota yhteyttä valtuutettuun huoltoliikkeeseen.

Huolto ja puhdistus

- Irrota pistotulppa ennen laitteen puhdistusta ja kun lämmitin ei ole käytössä.
- Anna tuotteen olla irti pistorasiasta tunnin ajan ennen kuin puhdistat sen.
- Puhdistettaessa laitetta, älä suihkuta vettä tai puhdistusainetta suoraan laitteeseen.
- Lisää puhdistusaine ensin siivousliinaan ja pyyhi tuote sitten liinalla.
- Säännöllinen laitteen puhdistus pidentää tuotteen käyttöikää (etenkin rannikkoalueilla tuote kannattaa puhdistaa useammin ilman suolaisuuden takia).
- Tarkista johto säännöllisesti vaurioiden varalta ja varmista että pistotulppa on puhdas.
- Jos lämmittimen johto on vaurioitunut tai joku muu lämmittimen sähköinen osa vaatii vaihtoa tai korjausta, nämä toimenpiteen on annettava sähköalan ammattilaisten tehtäväksi.

Vikatilanteiden selvittäminen

Noudata seuraavia ohjeita laitteen ongelmien ratkaisussa:

- Varmista, että verkkojohto on kunnolla kytketty pistorasiaan.
- Tarkista johto vaurioiden varalta.
- Varmista ON/OFF-kytkimen asento.
- Tarkista, onko infrapunalämmittimen lamppu palanut.
- Mikäli infrapunalämmitin on ylikuumentumisen takia sammunut, irrota verkkojohdon pistotulppa pistorasiasta ja anna laitteen jäähtyä. Tarkista laite vaurioiden varalta noin puolen tunnin kuluttua sen jäähdytyttyä. Mikäli vikoja ei ilmene, kokeile käynnistää laite uudelleen. Ota yhteys infrapunalämmittimen ostopaikkaan, mikäli laite ei toimi. Muissa ongelmatilanteissa ota yhteys myymälään.

Säilytys

Laite tulisi säilyttää kuivassa ja pölyttömässä tilassa. Vaihtoehtoisesti ota terassilämmitin käyttökauden jälkeen sisälle ja säilytä se kuivassa paikassa pussiin pakattuna.

Laitteen hävittäminen



EU -direktiivin 2002/96/EC mukaan kotitalouden sähkölaitteita, kuten tätä lämmitintä, ei saa hävittää tavallisen kotitalousjätteen mukana. Laite tulee hävittää sähkö- ja elektroniikkaromun (SER) kierrätyspisteessä. Maksuttomia kierrätyspisteitä löytyy sähkölaitteita myyvistä liikkeistä ja kunnallisilta jäteasemilta.

Asiakaspalvelu

- Laitteen mahdollinen korjaaminen pitää jättää valtuutettujen ammattilaisten tehtäväksi.
- Jos laite tarvitsee huoltoa tai korjauksia, ota yhteys valtuutettuun sähkölaitteiden huoltoliikkeeseen.
- Väärin tehdyt korjaukset vaarantavat laitteen sähköturvallisuuden ja ovat vaaraksi käyttäjälle.
- Laitteen takuu ei kata vikatilanteita, jotka johtuvat onnettomuuksista, väärinkäytöstä, laiminlyödyistä huollosta ja ylläpidosta, huolimattomuudesta tai laitteeseen tehdyistä muunnoksista.
- Tuotteita kehitetään jatkuvasti ja siksi varaamme oikeuden muutoksiin tuotteessa ja sitä koskevassa dokumentaatiossa.

Johdanto

Katoksen alle sijoitettava infrapunaterassilämmitin. Mukana kaukosäädin. Tuote on IP65-luokiteltu, mikä tarkoittaa, että se on pölytiivis ja kestävä kosteudelle altistumisesta. Terassilämmitintä voidaan käyttää ulkona ravintoloissa, baareissa, patioilla jne. Tuote on helppokäyttöinen, energiaa säästävä ja luontoystävällinen. Tuotteeseen kuuluu Bluetooth-kaiuttimet, jotka tarjoaa helpon tavan soittaa musiikkia iPhoneista, iPadistä tai Android-laitteesta.

Tuotetiedot

| | |
|--|-----------------|
| Mallinumero: | LHRR009-200KB-S |
| Virtalähde (V): | 220-240V~ |
| Virrankulutus (W): | 2000W |
| IP-luokitus | IP65 |
| Bluetooth-vastaanott. etäisyys: 10 m Kaiuttimet: | 2 x 6 W |

Lämmön säätely puhelimitse:

Lataa ilmainen Bluetooth-sovellus: Nimi: "SUNKARE" joko iPhoneille, iPadille tai Android-laitteelle. Sovellus on saatavilla App Storessa tai Google Playssa.

- Terassilämmitin on oltava "stand by" = asennossa 1, lämmitin takana. Lamppu palaa sinisenä.
- Paina ON-painiketta (4) kaukosäätimestä.
- Etsi LIANGDI asetuksissa / Bluetoothissa ja muodosta yhteys. Jos tämä epäonnistui, kokeile valikon alapuolella olevaa sovellutusta, jossa on 3 viivaa ja pistettä.
- Ensimmäisellä kerralla sinun tulee käyttää koodia: 1,2,3,4,5,6,7,8, tämä voidaan myöhemmin muuttaa sovellutuksissa.
- "SUNKARE"-sovellutuksen avulla voit yhdistää 1 tai 2 terassilämmitintä ja hallita/kontrolloida niitä erikseen omalla koodillaan.
- Napauta valikkoa, jossa on 3 viivaa ja pistettä: HEAT 1, "swipe" oikealle, vihreä valo syttyy.
- Paina Ö aktivoiaksesi vihreän valon, voi olla tarpeen toistaa yllä oleva "swipe".
- Säädä ympyrässä lämpöä (painamalla aurinko-kuvaketta).
- Ajastin (UR) lämmön, ei musiikin automaattisen sammutustoiminnon asettaminen.
- Väri-/värisymboli: ei ole aktiivinen tässä mallissa.
- Hammaspyörä-kuvake: erilaiset asetukset, salasananvaihto jne.
- OFF: paina painiketta (5) katkaistaksesi yhteys.

Ääni / musiikki puhelimitse:

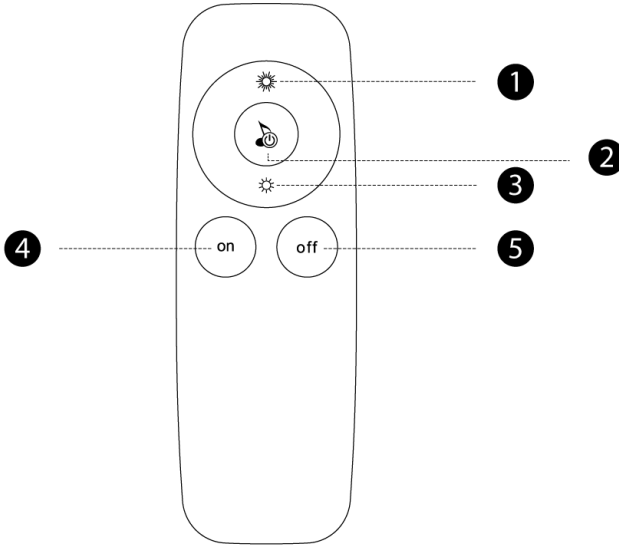
Bluetooth: kaiuttimien yhdistäminen kaukosäätimellä ja mobiililaitteella/iPadilla.

- Valmiasennossa paina kaukosäätimen ON -painiketta (painike 4): käynnistä kaiuttimet painamalla lyhyesti kaukosäätimen painiketta (2), paina tämän jälkeen nappia hieman pidempään siirtyäksesi Bluetooth-pariliitostilaan.
- Avaa Bluetooth-toiminto iPhoneissa, iPadissa tai Android-laitteessa, etsi "LIANG DI" laitteesta ja muodosta yhteys.
- Kun yhteys on luotu, kuulet äänimerkin. Nyt voit soittaa musiikkia iPhoneista, iPadistä tai Android-laitteesta. Valitse musiikkilähde puhelimestasi.
- Paina kaukosäätimen painiketta (2) uudelleen ja sammuta Bluetooth-kaiuttimet. Kuittaus äänimerkillä.
- Jotkin yllä olevista toiminnoista voidaan suorittaa myös napauttamalla sovellutuksen solmumerkkiä. Jos puhelin on ollut terassilämmitin kantaman ulkopuolella tai on keskeytetty OFF-painikkeesta (5), voit yhdistää uudelleen painikkeesta (2), voi vaihdella puhelimen mallin mukaan.

Reset (nollaus)

- Paina lyhyesti RESET painiketta (lämmittimen takana) näin voit kytkeä "päälle/ pois päältä" ja vaihdella lämpöportaita korkeammasta matalampaan ilman kaukosäädintä.
- Paina painiketta vähintään 4 sekunnin ajan ja lämmitin palauttaa tehdasasetukset.

Kaukosäätimen opas



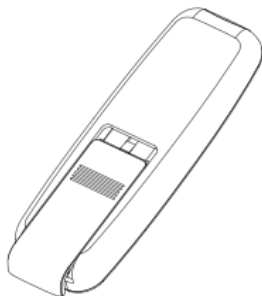
Painike

Toiminto

| Painike | Toiminto |
|--|--|
| 1. Voimakas aurinko | Lämpö voimistuu |
| 2. Kaiuttimen päälle /pois kytkeminen | Lyhyt napautus, kaiuttimen päälle/pois kytkeminen Pitkä painatus, siirry yhdistämistilaan. |
| 3. Vaimea aurinko | Lämpö laimenee |
| 4. Päällä/ on | Lämmittimen käynnistäminen: Paina ON. Lämmittimellä on pehmeä 33% käynnistystoimintoteho. 4 sekuntia lämmittimen päälle kytkemisen jälkeen se siirtyy automaattisesti viimeksi käytetylle lämpötasolle. Ensimmäisellä kerralla 4 sekunnin kuluttua lämmittimen päälle kytkemisestä lämmitin vaihtaa automaattisesti 100% voimakkuuteen. Merkkivalo palaa punaisena. |
| 5. Sulje / off | Lämmittimen sammuttaminen: Paina OFF-näppäintä. Lämmitin siirtyy valmiustilaan. Sininen merkkivalo syttyy. |

Huomio:

- Kaukosäädin käyttää 2 x AAA paristoja 1.5V. Poista paristot, jos kaukosäädintä ei käytetä useasti, näin pidennät kaukosäätimen käyttöikää.
- Valitse aina samantyyppiset ja uudet paristot, kun vaihdat paristoja.
- Vältä kaukosäätimen ja terassilämmittimen välisiä esteitä.



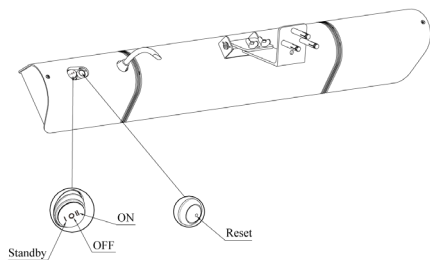
I O II kontakti asetukset:

- I = Standby Käytä kaukosäädintä terassilämmittimen päälle/pois kytkemiseen ja lämmön säätelyyn.
- II = ON Terassilämmitintä voidaan käyttää ilma kaukosäädintä. Lämpöä voi säädellä RESET-painikkeella.
- O = OFF Terassilämmitin on kytketty pois päältä.

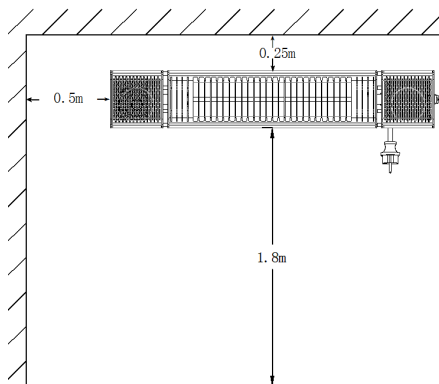
Asennus

- Poista kaikki pakkaukset ja tarkista johto ja tuote vaurioiden varalta.
- Varmista, että asennuspaikan luonne vastaa toimitettuja laajennusruuveja. Tämä varmistaa vahvan ja kestävä kiinnityksen.
- Huomioi, että noudatet kuvassa ilmoitettuja vähimmäiskiinnitysmatkoja ja kallistuskulmia.
- Välimatka terassilämmittimen alareunan ja lattian välisen etäisyyden on oltava vähintään 1,8 M. Katso kuva 2.
- Välimatka terassilämmittimen ja katon tai muun katoksen välillä on oltava vähintään 0,25 m. Katso kuva 2.
- Välimatka terassilämmittimen ja seinän tai muun vastaavan välillä on oltava vähintään 0,5 m etäisyys kummallakin puolella. Katso kuva 2.
- Suositeltava asennuskulma on 45°. Katso kuva 3.
- Kiinnitä kiinnike seinään ja kiinnitä terassilämmitin kiinnikkeeseen tai kiinnitä jalustaan.
- Säädä haluttuun lämmityskulmaan ja kiristä kuusikulmaruuvi. Tarkista säännöllisesti, että kulma säilyy ja että ruuvi ei ole löystynyt tuulen tai mekaanisen paineen vuoksi.
- Kytke virta ja käytä terassilämmitintä kaukosäätimellä. Kontrolloi ensimmäiset 10-15 minuuttia toimiiko terassilämmitin ongelmitta.

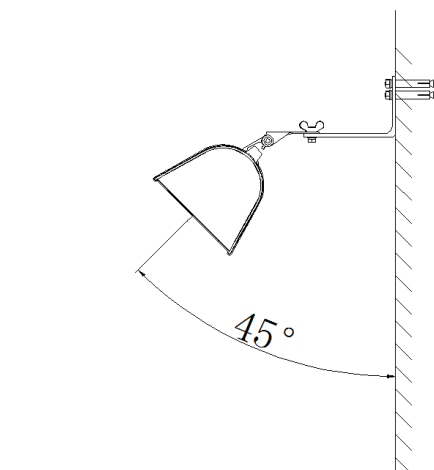
Kuva 1: Asennuskiinnike ja mukana olevat laajennusruuvit.



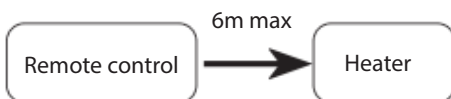
Kuva 2: Minimietäisyys lattiaan, kattoon ja seiniin.



Kuva 3: Suositeltu kaltevuuskulma.



Kuva 4: Kaukosäätimen maksimi etäisyys.



Imported by/importeret af:



NSH NORDIC A/S
Virkefeltet 4, 8740 Brædstrup, Danmark
www.nshnordic.com

